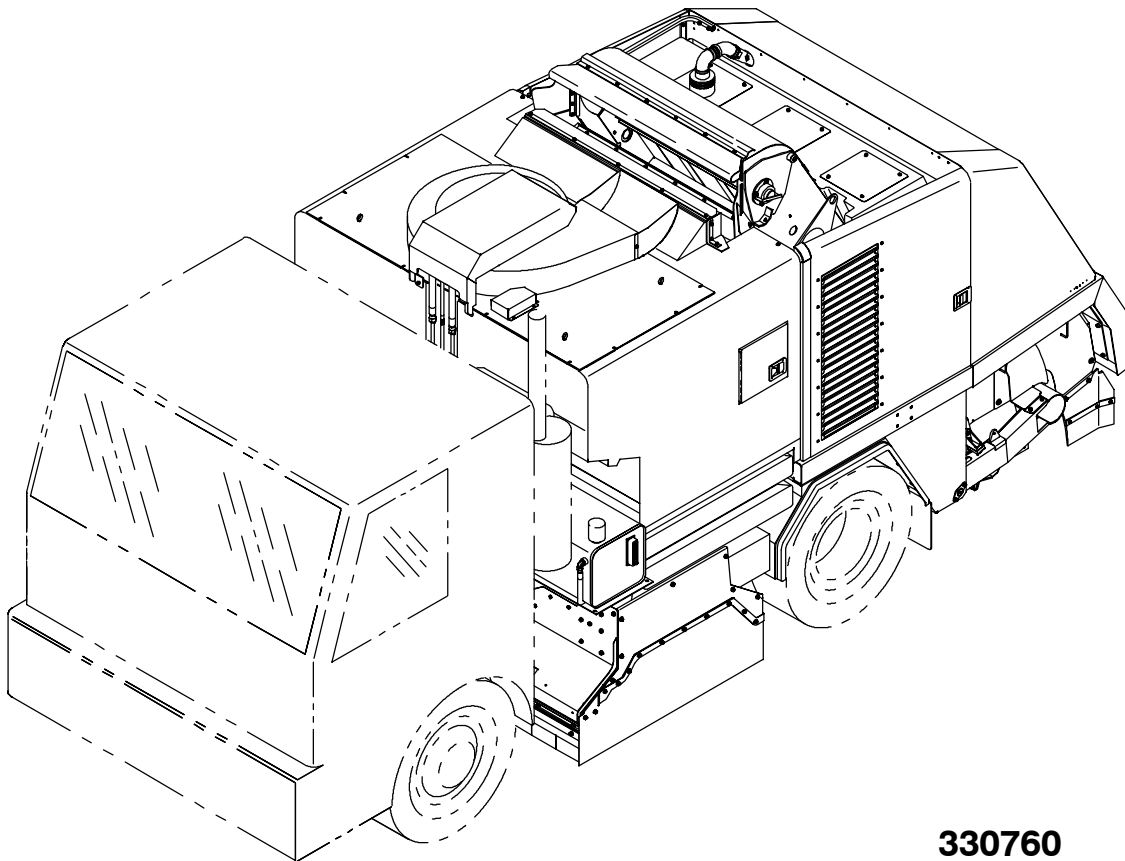




# CENTURION™

Parts Manual  
(000000-002000)



330760

Rev. 03





This manual is furnished with each new TENNANT Model Centurion.

This manual consists of the How To Use This Manual; Standard Parts; Options; Breakdowns; and Cross Reference sections.

**MACHINE DATA**

*Please fill out at time of installation for future reference.*

Machine Model Number - Centurion

Machine Serial Number - \_\_\_\_\_

Machine Options - \_\_\_\_\_

TENNANT Representative/phone no. - \_\_\_\_\_

Customer ID Number - \_\_\_\_\_

Date of Installation - \_\_\_\_\_

Manual Number - 330760

Revision: 03

Published: 10-03

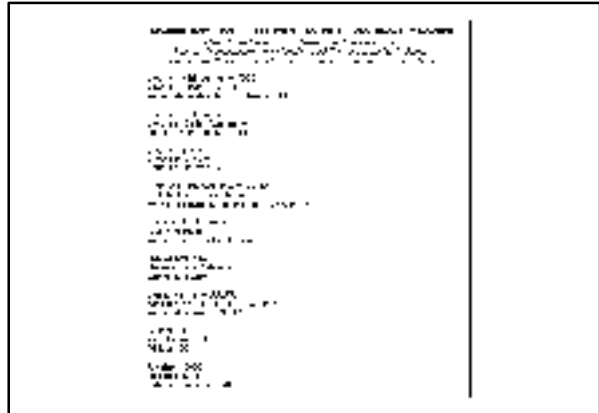
## HOW TO USE THIS MANUAL

This section on *HOW TO USE THIS MANUAL* will tell you how to:

- Find important machine information for ordering correct repair parts.
- Find TENNANT part numbers.
- Order TENNANT parts and supplies.

### IMPORTANT INFORMATION

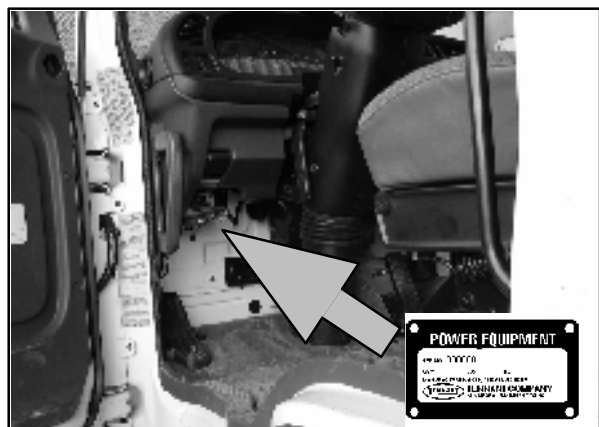
When placing an order for parts, the machine model and machine serial number are important. Refer to the *MACHINE DATA* box which is filled out during the installation of your machine. The *MACHINE DATA* box is located on the inside of the front cover of this manual.



The model name of your machine is on the side of the machine.



The serial number of your machine is printed on the machine data plate located as shown.



# HOW TO USE THIS MANUAL

## FINDING A TENNANT PART NUMBER

This manual contains the following sections:

- HOW TO USE THIS MANUAL
- STANDARD PARTS
- OPTIONS
- BREAKDOWNS
- CROSS REFERENCE

The STANDARD PARTS section lists repair parts for standard machines. They are grouped in this general order:

- General wear parts.
- Machine frame and related parts.
- Machine propelling system.
- Scrubbing components.
- Electrical parts.

The OPTION section lists repair parts of options.

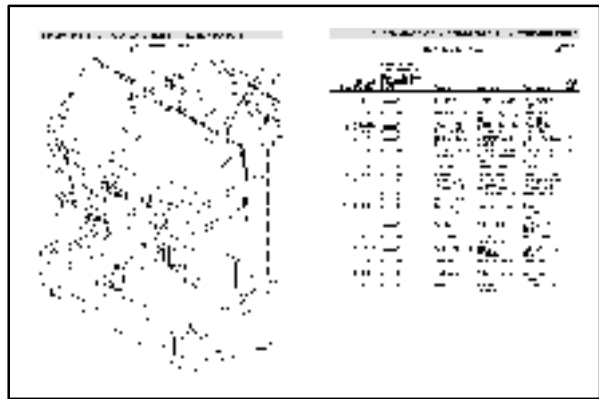
The BREAKDOWN section lists available repair parts of major components.

All sections in this manual consist of parts illustrations and corresponding parts lists.

The parts illustrations are numbered with **Ref** numbers which refer to corresponding parts lists.

The parts lists include a number of columns of information:

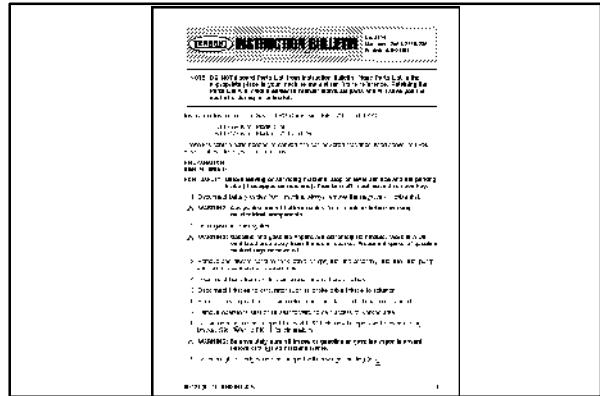
- **Ref** - column refers to the reference number on the parts illustration.
- ▽ - indicates the part is an assembly.
- ▲ - indicates the part is included in the assembly listed just before it.
- **TENNANT Part No.** - column lists the TENNANT part number for the part.
- **Serial Number** - column indicates the set of machines the part number is applicable to. Serial numbers change when the machine design has been modified. The most current design of the machine is shown in the main illustration, older designs are boxed in a corner of the illustration.
- **Description** - column is a brief description of the part.
- **Qty.** - column lists the quantity of that part used in that area of the machine.



Ref.	Part No.	Description	Qty.
1	2100	...	1
2	2101	...	1
3	2102	...	1
4	2103	...	1
5	2104	...	1
6	2105	...	1
7	2106	...	1
8	2107	...	1
9	2108	...	1
10	2109	...	1
11	2110	...	1
12	2111	...	1
13	2112	...	1
14	2113	...	1
15	2114	...	1
16	2115	...	1
17	2116	...	1
18	2117	...	1
19	2118	...	1
20	2119	...	1
21	2120	...	1
22	2121	...	1
23	2122	...	1
24	2123	...	1
25	2124	...	1
26	2125	...	1
27	2126	...	1
28	2127	...	1
29	2128	...	1
30	2129	...	1
31	2130	...	1
32	2131	...	1
33	2132	...	1
34	2133	...	1
35	2134	...	1
36	2135	...	1
37	2136	...	1
38	2137	...	1
39	2138	...	1
40	2139	...	1
41	2140	...	1
42	2141	...	1
43	2142	...	1
44	2143	...	1
45	2144	...	1
46	2145	...	1
47	2146	...	1
48	2147	...	1
49	2148	...	1
50	2149	...	1
51	2150	...	1
52	2151	...	1
53	2152	...	1
54	2153	...	1
55	2154	...	1
56	2155	...	1
57	2156	...	1
58	2157	...	1
59	2158	...	1
60	2159	...	1
61	2160	...	1
62	2161	...	1
63	2162	...	1
64	2163	...	1
65	2164	...	1
66	2165	...	1
67	2166	...	1
68	2167	...	1
69	2168	...	1
70	2169	...	1
71	2170	...	1
72	2171	...	1
73	2172	...	1
74	2173	...	1
75	2174	...	1
76	2175	...	1
77	2176	...	1
78	2177	...	1
79	2178	...	1
80	2179	...	1
81	2180	...	1
82	2181	...	1
83	2182	...	1
84	2183	...	1
85	2184	...	1
86	2185	...	1
87	2186	...	1
88	2187	...	1
89	2188	...	1
90	2189	...	1
91	2190	...	1
92	2191	...	1
93	2192	...	1
94	2193	...	1
95	2194	...	1
96	2195	...	1
97	2196	...	1
98	2197	...	1
99	2198	...	1
100	2199	...	1

*NOTE: If a service kit is installed on your machine, be sure to keep the INSTRUCTION BULLETIN which came with the kit. It contains repair parts numbers needed for ordering future parts.*

*NOTE: Fasteners used in this machine may be metric or non-metric. Take care when replacing hardware to replace with same thread size.*



## PLACING AN ORDER

Orders may be placed by phone, fax, or by mail. Phone orders may need written confirmation. Follow the steps below to insure prompt delivery:

1. Identify the model number of your machine.
2. Identify the serial number of your machine.
3. Find the part number of the part you need. Do not order by page number or reference number. If you are not able to find the part number, call your TENNANT representative for help or send the old part as a sample.
4. Determine the quantity of the part you need.
5. Provide the following company information:
  - Company name
  - Customer ID Number
  - Shipping address
  - Billing address
  - First and last name of person ordering parts
  - Telephone number
  - Purchase order number
6. Provide definitive shipping instructions.

## HOW TO USE THIS MANUAL

---

Any claim for loss or damage to a shipment in transit should be filed promptly with the transportation company making the delivery. Shipments will be complete unless the packing list or order acknowledgement indicates items back ordered.

If parts received are suspected to be incorrect or defective, please contact the TENNANT representative from whom you ordered the part. They will give authorization for return and/or handle replacement shipments when required.

## SECTION 2

Contents	Page
Fig. 1 - Recommended General Maintenance Items .....	2-2
Fig. 2 - Replacement Brushes .....	2-3
Fig. 3 - Main Frame Group .....	2-4
Fig. 4 - Right Door Group (000000-001066)	2-6
Fig. 5 - Right Door Group (001067- )	2-8
Fig. 6 - Left Door Group (000000-001066)	2-10
Fig. 7 - Left Door Group (001067- )	2-12
Fig. 8 - Rear Lights Group .....	2-14
Fig. 9 - Fender Group .....	2-16
Fig. 10 - Rear Door Group .....	2-18
Fig. 11 - Fuel Tank Group .....	2-20
Fig. 12 - Conveyor Frame and Shrouds Group (000000-001210)	2-22
Fig. 13 - Conveyor Frame and Shrouds Group (001211- )	2-24
Fig. 14 - Conveyor Drive Group .....	2-26
Fig. 15 - Conveyor Lift Group .....	2-28
Fig. 16 - Conveyor Torque Tube And Spring Group .....	2-30
Fig. 17 - Upper Conveyor Skirts Group ....	2-32
Fig. 18 - Lower Conveyor Skirts Group ....	2-34
Fig. 19 - Conveyor Bearing Lube Group ...	2-36
Fig. 20 - Main Brush And Drag Shoe Lift Arms Group .....	2-38
Fig. 21 - Main Brush Bar and Cam Lock Group .....	2-40
Fig. 22 - Main Brush Drive Group .....	2-42
Fig. 23 - Right Main Brush Arm And Drag Shoe Group .....	2-44
Fig. 24 - Left Main Brush Arm And Drag Shoe Group .....	2-46
Fig. 25 - Main Brush Skirts And Shield Group .....	2-48
Fig. 26 - Right Gutter Broom Motor Group .	2-50
Fig. 27 - Right Gutter Broom Lift Group ...	2-52
Fig. 28 - Gutter Broom Debris Deflector Group .....	2-54
Fig. 29 - Hopper Group .....	2-56
Fig. 30 - Hopper Base Group .....	2-58
Fig. 31 - Hopper Vacuum Fan Group .....	2-60
Fig. 32 - Hopper Full Sensor Group .....	2-62
Fig. 33 - Hopper Filter Bag Group .....	2-64
Fig. 34 - Upper Hopper Lift Group .....	2-66
Fig. 35 - Lower Hopper Lift Group .....	2-68
Fig. 36 - Water Tank Group .....	2-70
Fig. 37 - Water Pump Group .....	2-72

Contents	Page
Fig. 38 - PTO and Drive Shafts Group ....	2-74
Fig. 39 - Hydraulic Schematic .....	2-76
Fig. 39 - Hydraulic Schematic .....	2-77
Fig. 39 - Hydraulic Schematic .....	2-78
Fig. 40 - Hydraulic Reservoir Group .....	2-80
Fig. 41 - Hydraulic Pumps Group .....	2-82
Fig. 42 - Hydraulic Cooler and Charge Valve Group .....	2-84
Fig. 43 - Hydraulic Hopper Scissors Group	2-86
Fig. 44 - Hydraulic Hopper Valve and Shaker Motor Group .....	2-88
Fig. 45 - Hydraulic Hopper Door and Tilt Cylinders Group .....	2-90
Fig. 46 - Hydraulic Hopper Lift Group ....	2-92
Fig. 47 - Hydraulic Conveyor Valve and Cylinders Group .....	2-94
Fig. 48 - Hydraulic Main Brush Valve and Cylinders Group .....	2-96
Fig. 49 - Electrical Relay Group .....	2-98
Fig. 50 - Instrument Panel Group .....	2-100
Fig. 51 - Circuit Breaker and Relay Group	2-104
Fig. 52 - Electrical Schematic (000000-001039) .....	2-106
Fig. 53 - Electrical Schematic (001040- ) .....	2-114
Fig. 54 - Wire Harnesses Group .....	2-122
Main Wire Harness .....	2-126
Main Wire Harness .....	2-127
Main Wire Harness .....	2-128
Main Wire Harness .....	2-129
Main Wire Harness .....	2-130
Hopper Lift Harness .....	2-131
Fig. 55 - Miscellaneous Truck Parts ....	2-148
Fig. 56 - Miscellaneous Cab Parts .....	2-150
Fig. 57 - Label Group .....	2-152

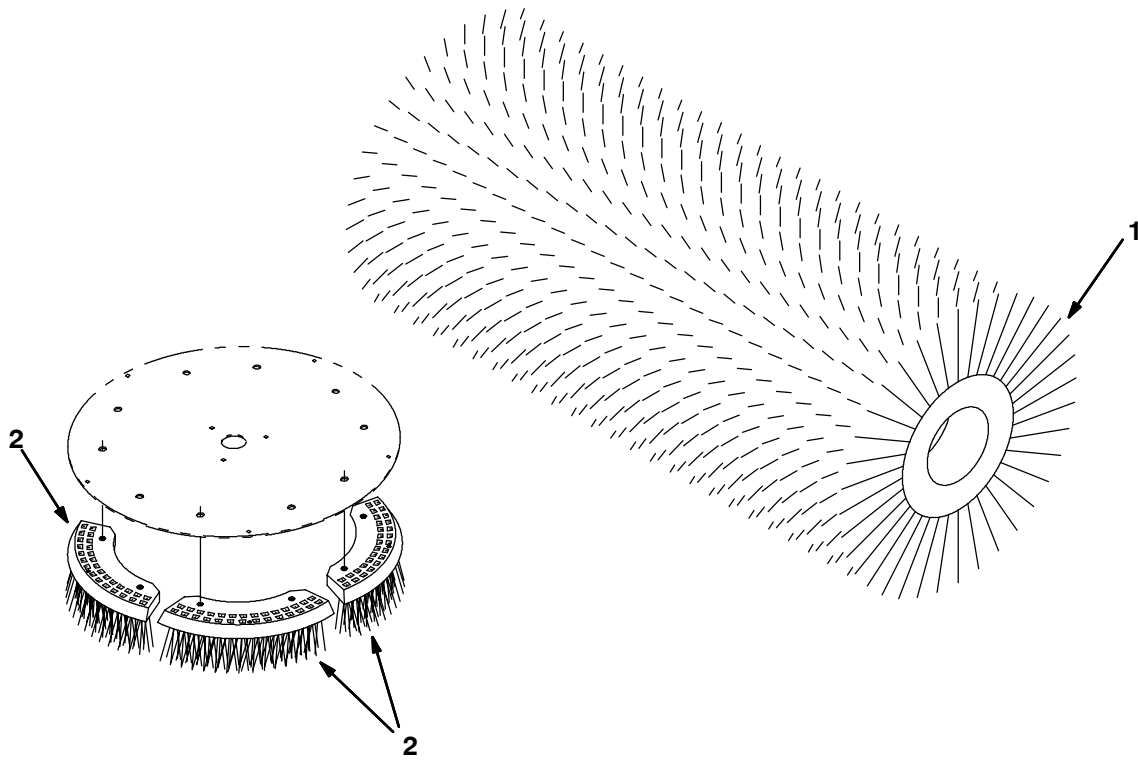
# STANDARD PARTS

Fig. 1 - Recommended General Maintenance Items

Ref.	Tenant Part No.	Machine Serial Number	Description	Qty.
	371742	(000000-	) Filter, Oil	1
	371743	(000000-	) Filter, Fuel	1
	371744	(000000-	) Element, Filter, Air, Primary	1
	371745	(000000-	) Element, Filter, Air, Safety	1
	371746	(000000-	) Filter, Fluid, Transmission	1
	31613	(000000-	) Strainer, Hyd, 25gpm 100mesh Psi	1
	394233	(000000-	) Cable, Lift, Brush	1
	394234	(000000-	) Cable, Lift, Shield	1
	394279	(000000-	) Strip, Rbr, 0.75 03.50w 37.1l	1
	394374	(000000-	) Skirt, Recirculation	1
	394382	(000000-	) Skirt, Conveyor	1
	394393	(000000-	) Skirt, Conveyor	1
	394399	(000000-	) Skirt, Conveyor	1
	394554	(000000-	) Bearing, Pivot, 1.0b .87l [Duralon]	1
	394575	(000000-	) Belt, Conveyor	1
	394779	(000000-	) Tube Wldt, Conveyor, Upper	1
	394780	(000000-	) Tube Wldt, Conveyor, Lower	1
	395073	(000000-	) Seal, Side, Lower	1
	395074	(000000-	) Skirt	1
	395100	(000000-	) Shoe, Drag, Lh	1
	395101	(000000-	) Shoe, Drag, Rh	1
	395517	(000000-	) Strainer, 40 Mesh	1
	395535	(000000-	) Plate, Hinge, Skirt	1
	395637	(000000-	) Seal, Conveyor, Side, Bottom	1
	395638	(000000-	) Seal, Conveyor, Side, Top	1
	395640	(000000-	) Seal, Conveyor, Front	1
	395686	(000000-	) Seal, Conveyor, Top	1
	395711	(000000-	) Sleeve, Roller	1
	395733	(000000-	) Skirt, Sppt	1
	395734	(000000-	) Skirt, Wedge	1
	395806	(000000-	) Skirt, Recirculation	1
	396397	(000000-	) Breather, Hyd, .03 Mic	1
	360074	(000000-	) Bearing, Ball, 1.18b 2.44d 0.63w	1
	761108	(000000-	) Bearing, Flange	1
	761111	(000000-	) Bearing, Flange	1
	761128	(000000-	) Pin, Plug, Brush	1
	761131	(000000-	) Plug, Guide, Brush	1
	761289	(000000-	) Bearing, Flange	1
	394276	(000000-	) Bushing, Sleeve, 1.875b 2.062d 1.5l, Bnz	1
	65869-5	(000000-	) Oil, Hyd, 15/40, 05gal	1
	65870-5	(000000-	) Oil, Hyd, 15/20, 05gal	1
	9000119	(000000-	) Oil, Hyd, Syn, 5 Gal	1
	1009169	(000000-	) Paint, Airdry, [Hawk Gray], 12oz	1
	1009170	(000000-	) Paint, Airdry, [Gm White], 12oz	1
	9000688		Paint Kit, Ure, Gal [Hawk Gray] .....	1
	9000689		Paint Kit, Ure, Gal [GM White] .....	1



Fig. 2 - Replacement Brushes



353770

Ref.	Tennant Part No.	Machine Serial Number	Description	Qty.
1	396297	(000000-	) Brush, Main, Swp, 68l, Pyp	1
2	394649	(000000-	) Brush Set, Side, Segment, Flt Wir (Set of five)	1
2	395504	(000000-	) Brush Set, Side, Segment, Pyp (Set of five)	1
2	395505	(000000-	) Brush Set, Side, Segment, Pyp, Flt Wir (Set of five)	1

Fig. 3 - Main Frame Group

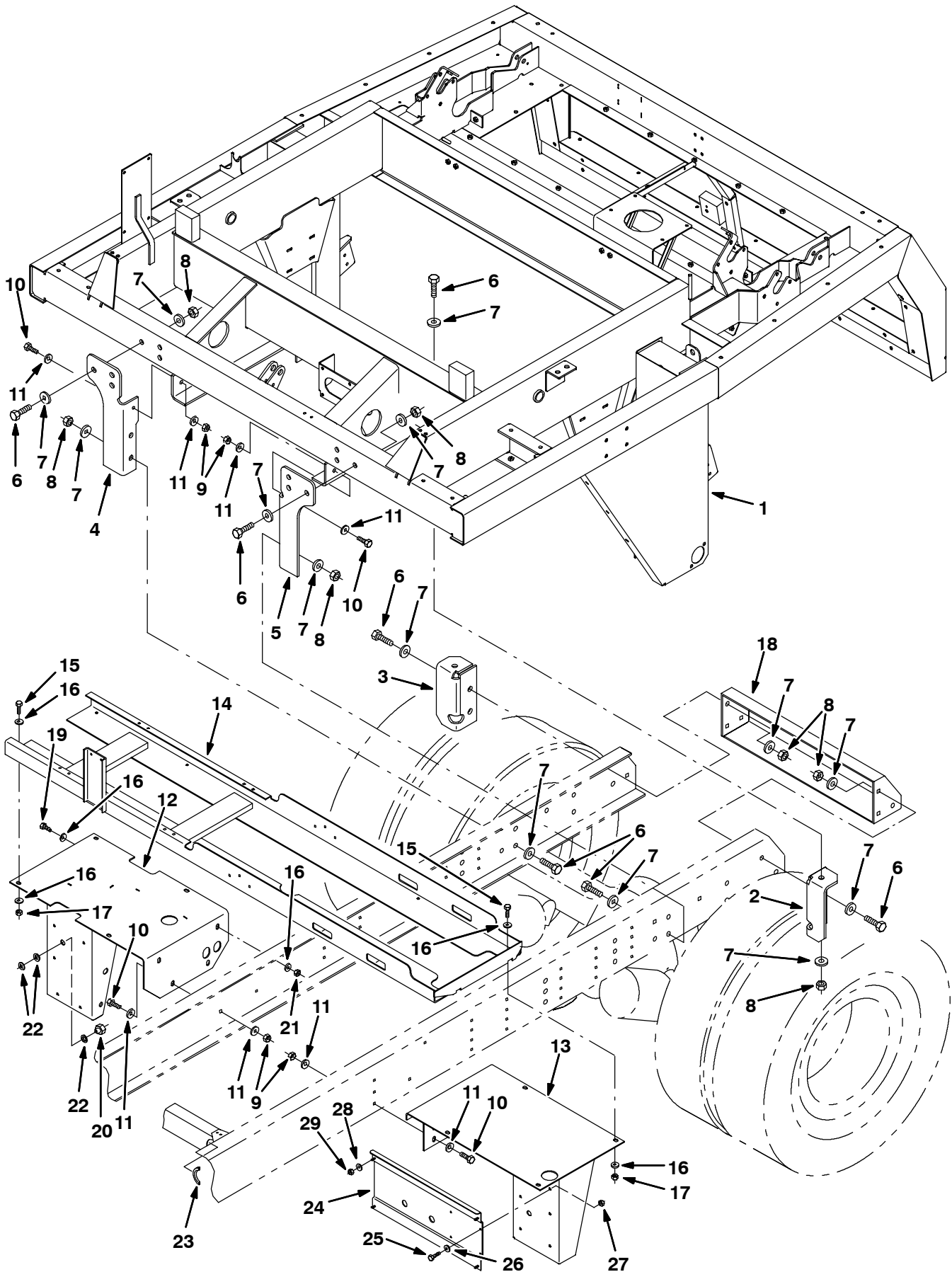


Fig. 3 - Main Frame Group

Ref.	Tennant Part No.	Machine Serial Number	Description	Qty.
1	9000231	(000000-	) Frame, W/ Label	1
2	394175	(000000-	) Angle, Mtg, Lh	1
3	394176	(000000-	) Angle, Mtg, Rh	1
4	394177	(000000-	) Angle, Mtg, Rh	1
5	394178	(000000-	) Angle, Mtg, Lh	1
6	394841	(000000-	) Screw, Hex, M20 X 2.5 X 60, 10.9	16
7	32495	(000000-	) Washer, Flat, .75 Hard	32
8	394842	(000000-	) Nut, Hex, Std, M20 X 2.5 , 10	16
9	394326	(000000-	) Nut, Hex, Std, M12 X 1.75, 10	10
10	394349	(000000-	) Screw, Hex, M12 X 1.75 X 45, 10.9 Pltd	10
11	32493	(000000-	) Washer, Flt, .50 Std	16
12	394458	(000000-	) Mount Wldt, Rh	1
13	396306	(000000-	) Mount Wldt, Lh, Tank	1
14	395412	(000000-	) Tank Wldt, Sppt	1
15	39284	(000000-	) Screw, Hex, M10 X 1.5 X 35, 8.8	4
16	32492	(000000-	) Washer, Flt, .38 Std	10
17	41430	(000000-	) Nut, Hex, Lock, M10 X 1.5, NI	4
18	394171	(000000-	) Crossmember Wldt	1
19	368176	(000000-	) Screw, Hex, M10 X 1.5 X 35, 10.9	1
20	395519	(000000-	) Nut, Hex, Extn, M12 X 1.75	1
21	39313	(000000-	) Nut, Hex, Std, M12 X 1.75	1
22	86610	(000000-	) Washer, 0.75b 1.25d .12, Stl, PI	3
23	761237	(000000-	) Molding, Trim, Vyl, .19, 9.0l	4
24	395658	(000000-	) Bracket, Mtg	1
25	09010	(000000-	) Screw, Hex, M08 X 1.25 X 25, Ss	4
26	01685	(000000-	) Washer, Flt, .31 Ss	4
27	08713	(000000-	) Nut, Hex, Lock, M08 X 1.25,NI, Ss	4
28	32491	(000000-	) Washer, Flt, .31 Std	4
29	08709	(000000-	) Nut, Hex, Lock, M08 X 1.25,NI	4

Fig. 4 - Right Door Group (00000-001066)

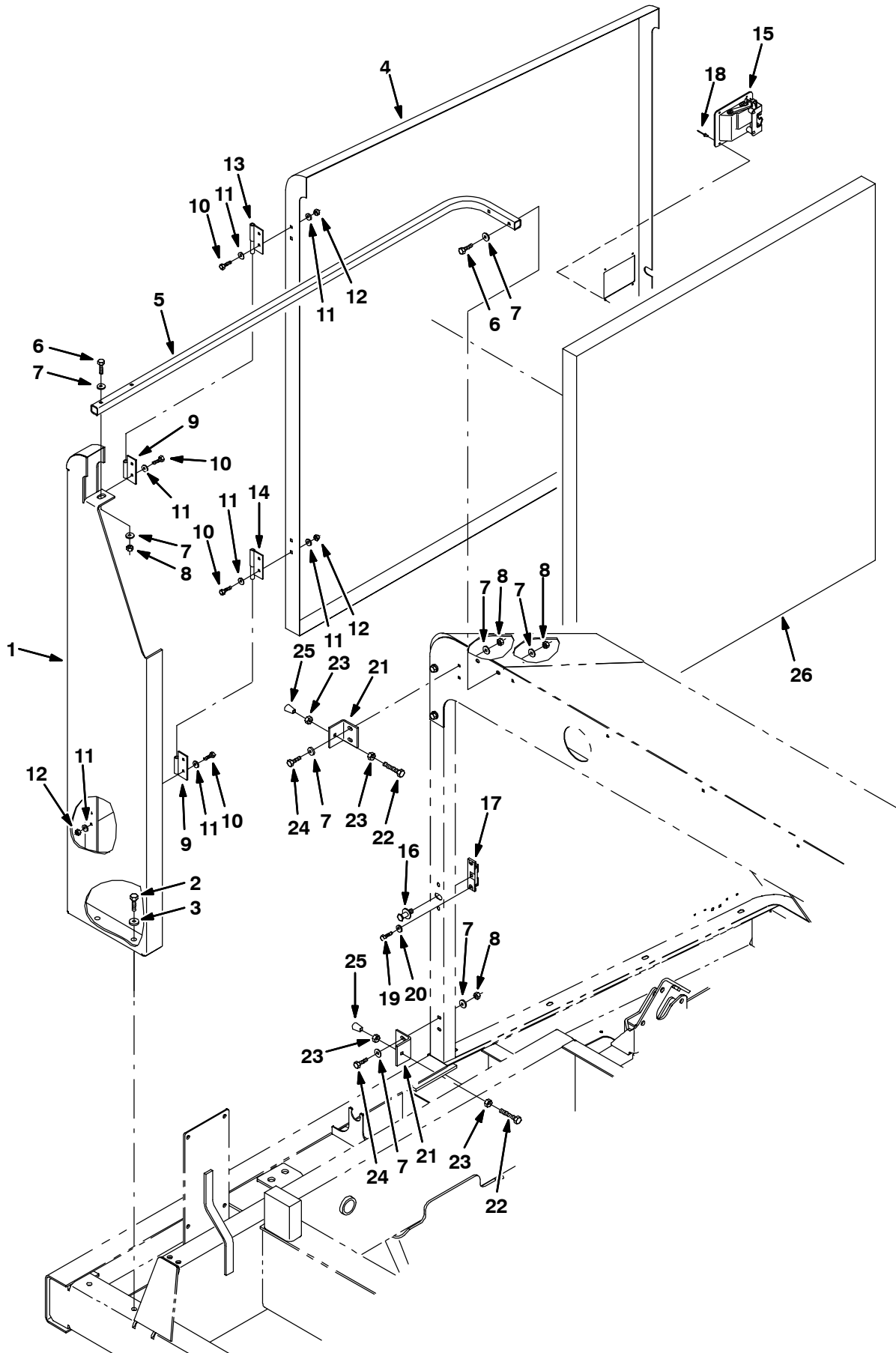


Fig. 4 - Right Door Group (000000-001066)

Ref.	Tennant Part No.	Machine Serial Number	Description	Qty.
1	395277	(000000-001066 )	Bracket Wldt, Mtg, Door, Rh, White	1
2	03192	(000000-001066 )	Screw, Hex, M10 X 1.5 X 30, 8.8	2
3	395119	(000000-001066 )	Washer, 0.41b 1.38d .12, Stl	2
4	395280	(000000-001066 )	Door, Rh, White (Replaced by 396774)	1
5	394798	(000000-001066 )	Tube, Brace	1
6	06956	(000000-001066 )	Screw, Hex, M08 X 1.25 X 45, 8.8	3
7	32491	(000000-001066 )	Washer, Flt, .31 Std	14
8	08709	(000000-001066 )	Nut, Hex, Lock, M08 X 1.25, NI	7
9	394963	(000000-001066 )	Hinge Wldt	2
10	06943	(000000-001066 )	Screw, Hex, M06 X 1.0 X 20, 8.8	8
11	32490	(000000-001066 )	Washer, Flt, .25 Std	16
12	08708	(000000-001066 )	Nut, Hex, Lock, M06 X 1.0, NI	8
13	394972	(000000-001066 )	Hinge Wldt, W/ Pin	1
14	394973	(000000-001066 )	Hinge Wldt, W/ Pin	1
15	396414	(000000-001066 )	Latch, Door	1
16	396415	(000000-001066 )	Latch, Bolt, .38-16	1
17	396416	(000000-001066 )	Latch, Nut, .38-16	1
18	395289	(000000-001066 )	Rivet, Blind, .156d X .30 X .31, Ss	4
19	01696	(000000-001066 )	Screw, Hex, .25-20 X 0.50, Ss	2
20	01684	(000000-001066 )	Washer, Flt, .25 Ss	2
21	395595	(000000-001066 )	Bracket, Stop, Door (Replaced by 396774)	2
22	78552	(000000-001066 )	Screw, Hex, M10 X 1.5 X 100, Ss, FI	2
23	07787	(000000-001066 )	Nut, Hex, Std, M10 X 1.5 , Ss	4
24	39277	(000000-001066 )	Screw, Hex, M08 X 1.25 X 25, 8.8	4
25	763061	(000000-001066 )	Bumper, Engine Door	2
26	394815	(000000-001066 )	Panel, Door, Pys, Rh	1

**Fig. 5 - Right Door Group (001067- )**

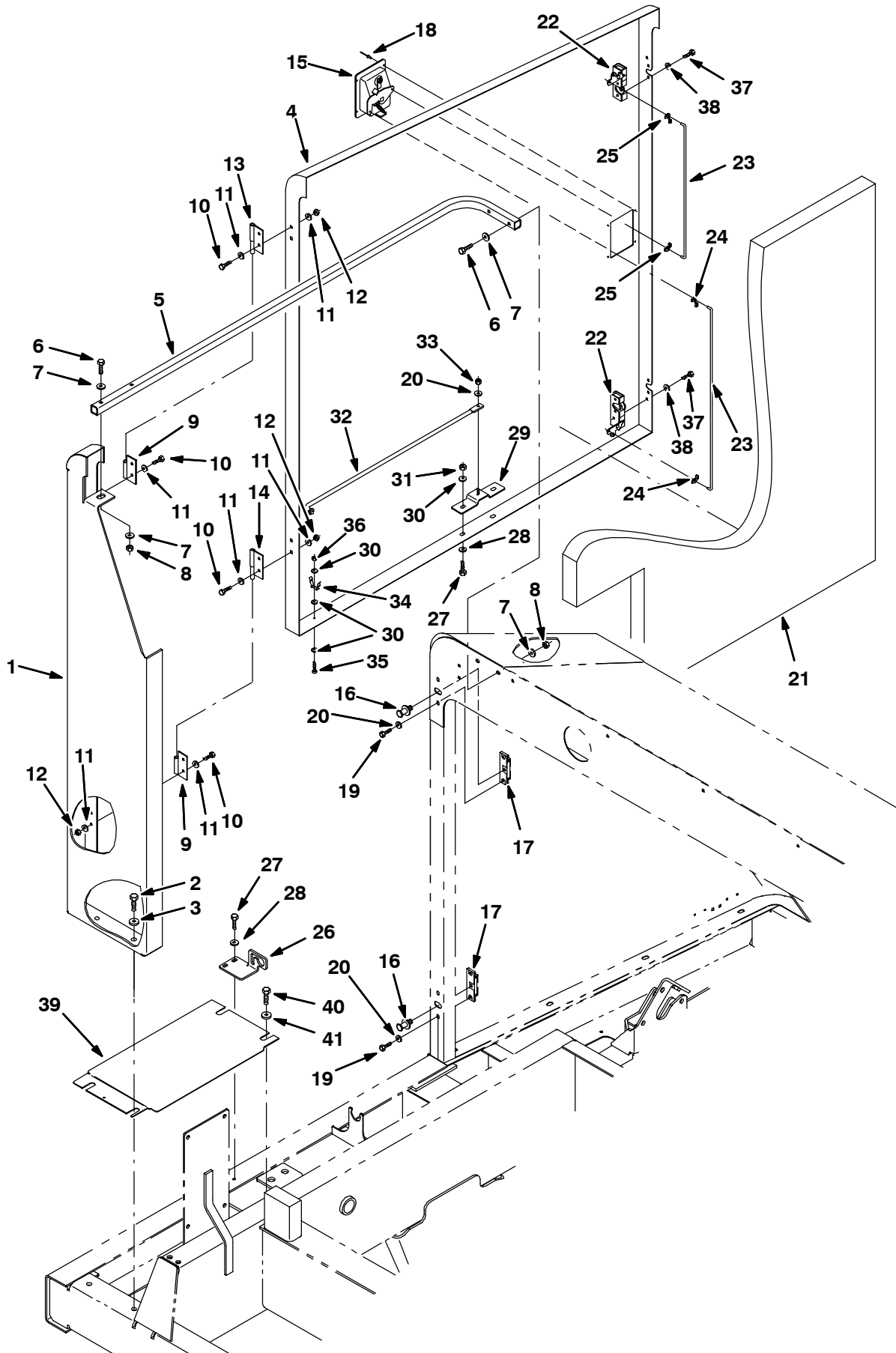


Fig. 5 - Right Door Group (001067- )

Ref.	Tennant Part No.	Machine Serial Number	Description	Qty.
1	395277	(001067-	) Bracket Wldt, Mtg, Door, Rh, White	1
2	03192	(001067-	) Screw, Hex, M10 X 1.5 X 30, 8.8	2
3	395119	(001067-	) Washer, 0.41b 1.38d .12, Stl	2
4	9000208	(001067-	) Door, Rh, White, W/ Label	1
5	394798	(001067-	) Tube, Brace	1
6	06956	(001067-	) Screw, Hex, M 8 X 1.25 X 45, 8.8	3
7	32491	(001067-	) Washer, Flat, 0.31 Std	6
8	08709	(001067-	) Nut, Hex, Lock, M 8 X 1.25 NI	3
9	394963	(001067-	) Hinge Wldt	2
10	06943	(001067-	) Screw, Hex, M 6 X 1.0 X 20, 8.8	8
11	32490	(001067-	) Washer, Flat, 0.25 Std	16
12	08708	(001067-	) Nut, Hex, Lock, M 6 X 1.0, NI	8
13	394972	(001067-	) Hinge Wldt, W/ Pin	1
14	394973	(001067-	) Hinge Wldt, W/ Pin	1
15	396748	(001067-	) Handle, Door	1
16	396415	(001067-	) Bolt, Latch, 0.500d, 0.940l, .38-16thrd	2
17	396416	(001067-	) Nut, Cage, Latch, .38-16	2
18	395289	(001067-	) Rivet, Blind, .156d X .30 X .31, Ss	4
19	01696	(001067-	) Screw, Hex, .25-20 X 0.50, Ss	4
20	01684	(001067-	) Washer, Flat, 0.25 Ss	5
21	394815	(001067-	) Panel, Door, Pys, Rh	1
22	396746	(001067-	) Latch, Rh	2
23	1006446	(001067-	) Rod, Actuator	2
24	396749	(001067-	) Retainer, Clip	2
25	396773	(001067-	) Retainer, Clip	2
26	1002462	(001067-	) Bracket, Catch, Rod	1
27	09740	(001067-	) Screw, Hex, M 8 X 1.25 X 20, Ss	4
28	01685	(001067-	) Washer, Flat, 0.31 Ss	4
29	1002768	(001067-	) Bracket Wldt, Mtg, Rod	1
30	19064	(001067-	) Washer, Flat, #06	5
31	08713	(001067-	) Nut, Hex, Lock, M 8 X 1.25, NI, Ss	2
32	360429	(001067-	) Rod	1
33	08712	(001067-	) Nut, Hex, Lock, M 6 X 1.0, NI, Ss	1
34	23446	(001067-	) Clip, Finger Grip, 0.31-0.75d	1
35	09146	(001067-	) Screw, Pan, M 3 X 0.5 X 12, 4.8	1
36	01754	(001067-	) Nut, Hex, Std, M03X0.5	1
37	08716	(001067-	) Screw, Hex, M 6 X 1.0 X 20, Ss	6
38	07785	(001067-	) Nut, Hex, Std, M06 X 1.0 , Ss	6
39	1007004	(001067-	) Plate, Cover	1
40	370181	(001067-	) Screw, Hex, M10 X 1.5 X 25, 10.9	2
41	32492	(001067-	) Washer, Flat, 0.38 Std	2

Fig. 6 - Left Door Group (000000-001066)

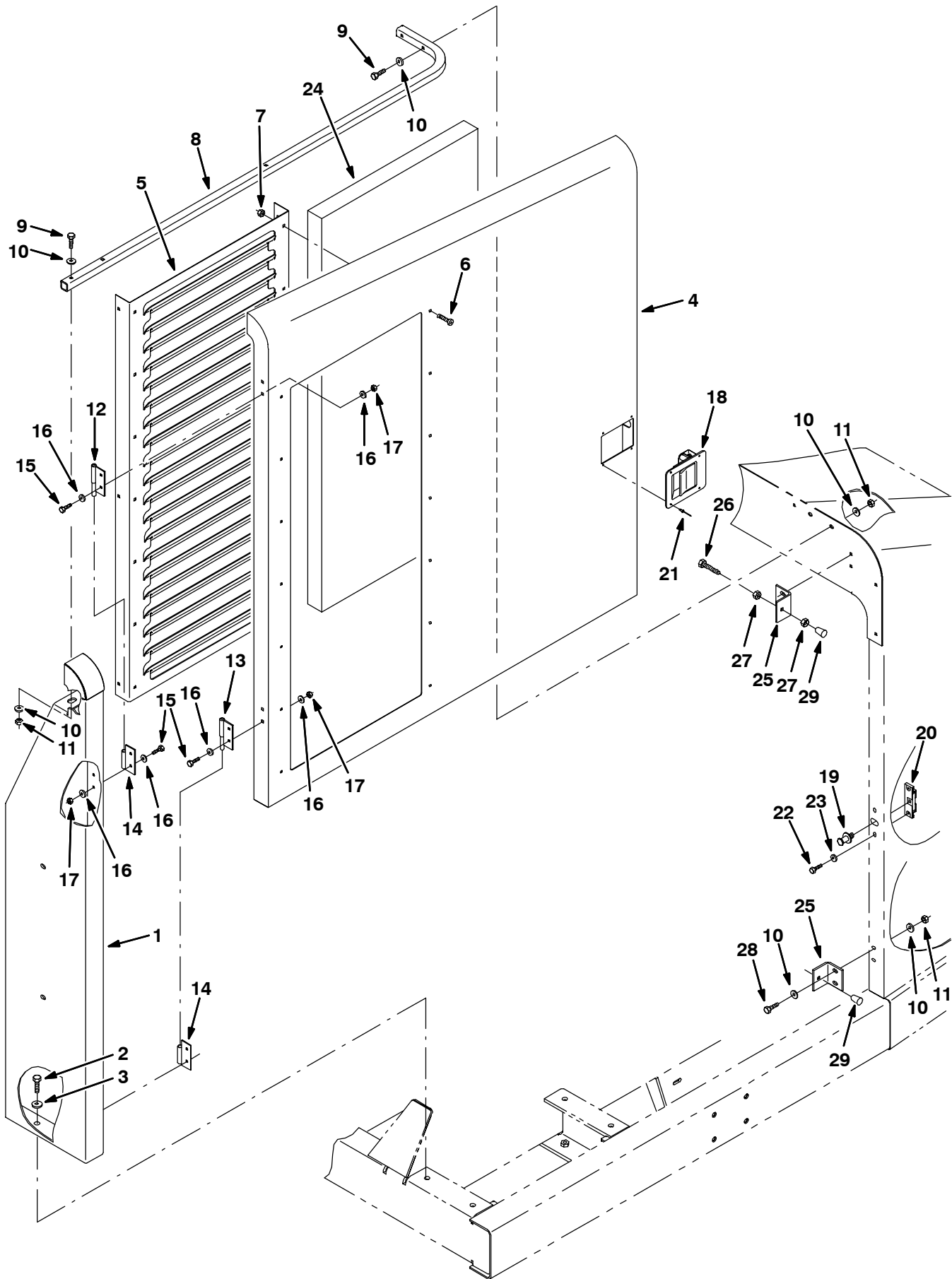




Fig. 6 - Left Door Group (000000-001066)

Ref.	Tennant Part No.	Machine Serial Number	Description	Qty.
1	395274	(000000-001066 )	Bracket Wldt, Mtg, Door, Lh, White	1
2	03192	(000000-001066 )	Screw, Hex, M10 X 1.5 X 30, 8.8	6
3	395119	(000000-001066 )	Washer, 0.41b 1.38d .12, Stl	6
4	395283	(000000-001066 )	Door, Lh, White (Replaced by 396775)	1
5	396328	(000000-001066 )	Louver, Door, White	1
6	363503	(000000-001066 )	Screw, Pan, M06 X 1.0 X 12, Ss	14
7	07790	(000000-001066 )	Nut, Hex, Flng, M06 X 1.0	14
8	394798	(000000-001066 )	Tube, Brace	1
9	06956	(000000-001066 )	Screw, Hex, M08 X 1.25 X 45, 8.8	3
10	32491	(000000-001066 )	Washer, Flt, .31 Std	14
11	08709	(000000-001066 )	Nut, Hex, Lock, M08 X 1.25, NI	7
12	64543	(000000-001066 )	Hinge Wldt, Door, Side, W/ Pin	1
13	70628	(000000-001066 )	Hinge Wldt, Side, W/ Pin	1
14	64545	(000000-001066 )	Hinge Wldt, W/ Tube	2
15	06943	(000000-001066 )	Screw, Hex, M06 X 1.0 X 20, 8.8	8
16	32490	(000000-001066 )	Washer, Flt, .25 Std	16
17	08708	(000000-001066 )	Nut, Hex, Lock, M06 X 1.0, NI	8
18	396414	(000000-001066 )	Latch, Door	1
19	396415	(000000-001066 )	Latch, Bolt, .38-16	1
20	396416	(000000-001066 )	Latch, Nut, .38-16	1
21	395289	(000000-001066 )	Rivet, Blind, .156d X .30 X .31, Ss	4
22	01696	(000000-001066 )	Screw, Hex, .25-20 X 0.50, Ss	2
23	01684	(000000-001066 )	Washer, Flt, .25 Ss	1
24	394816	(000000-001066 )	Panel, Door, Pys, Lh	1
25	395595	(000000-001066 )	Bracket, Stop, Door (Replaced by 396775)	2
26	78552	(000000-001066 )	Screw, Hex, M10 X 1.5 X 100, Ss, FI	2
27	07787	(000000-001066 )	Nut, Hex, Std, M10 X 1.5 , Ss	4
28	39277	(000000-001066 )	Screw, Hex, M08 X 1.25 X 25, 8.8	4
29	763061	(000000-001066 )	Bumper, Engine Door	4

Fig. 7 - Left Door Group (001067- )

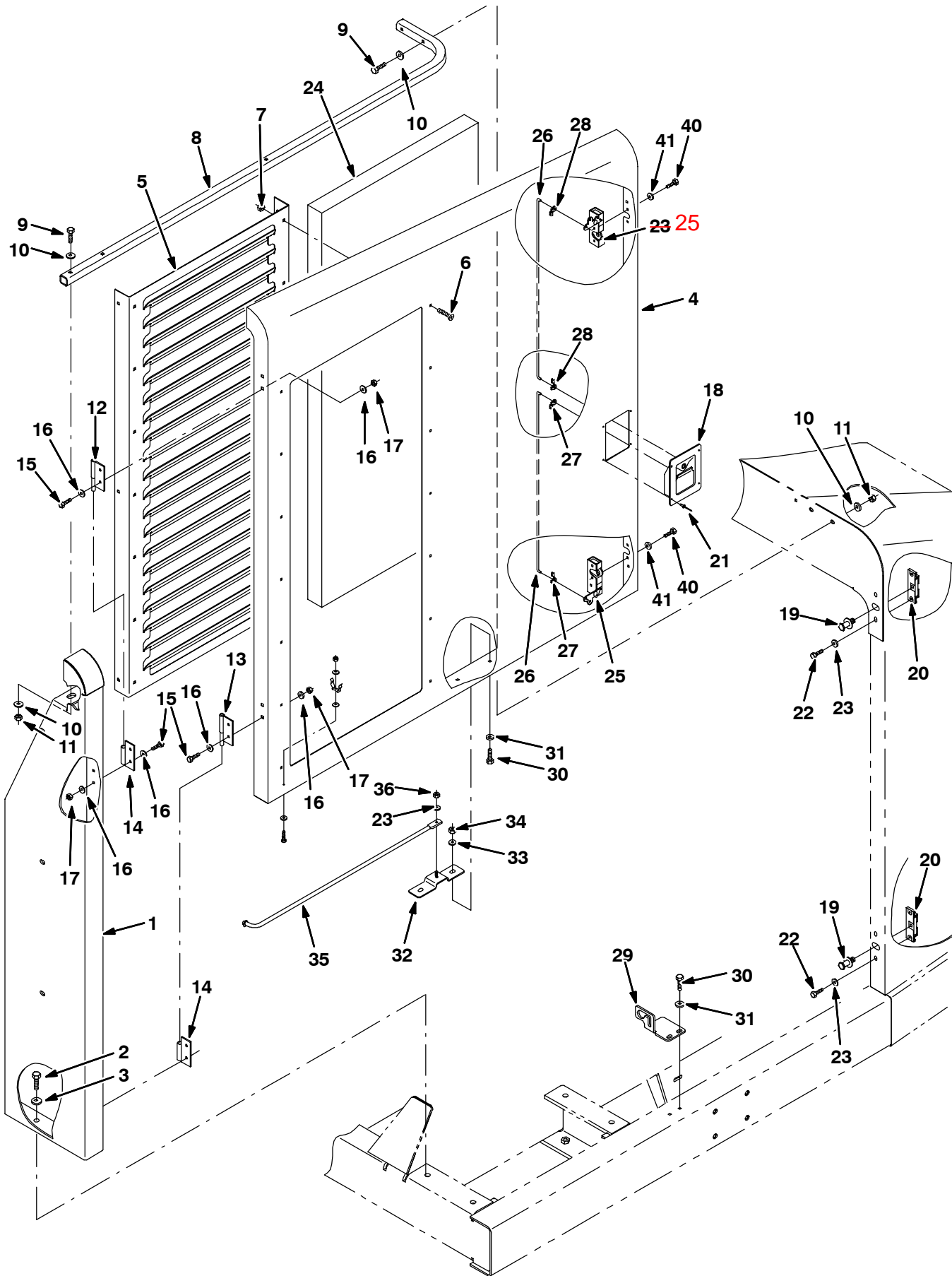


Fig. 7 - Left Door Group (001067- )

Ref.	Tennant Part No.	Machine Serial Number	Description	Qty.
1	395274	(001067- )	Bracket Wldt, Mtg, Door, Lh, White	1
2	03192	(001067- )	Screw, Hex, M10 X 1.5 X 30, 8.8	6
3	395119	(001067- )	Washer, 0.41b 1.38d .12, Stl	6
4	1006633	(001067- )	Door, Lh, White	1
5	396328	(001067- )	Louver, Door, White	1
6	363503	(001067- )	Screw, Pan, M06 X 1.0 X 12, Ss	14
7	07790	(001067- )	Nut, Hex, Flng, M06 X 1.0	14
8	394798	(001067- )	Tube, Brace	1
9	06956	(001067- )	Screw, Hex, M08 X 1.25 X 45, 8.8	3
10	32491	(001067- )	Washer, Flt, .31 Std	6
11	08709	(001067- )	Nut, Hex, Lock, M08 X 1.25, NI	3
12	64543	(001067- )	Hinge Wldt, Door, Side, W/ Pin	1
13	70628	(001067- )	Hinge Wldt, Side, W/ Pin	1
14	64545	(001067- )	Hinge Wldt, W/ Tube	2
15	06943	(001067- )	Screw, Hex, M06 X 1.0 X 20, 8.8	8
16	32490	(001067- )	Washer, Flt, .25 Std	16
17	08708	(001067- )	Nut, Hex, Lock, M06 X 1.0, NI	8
18	396748	(001067- )	Handle, Door	1
19	396415	(001067- )	Latch, Bolt, .38-16	1
20	396416	(001067- )	Latch, Nut, .38-16	1
21	395289	(001067- )	Rivet, Blind, .156d X .30 X .31, Ss	4
22	01696	(001067- )	Screw, Hex, .25-20 X 0.50, Ss	4
23	01684	(001067- )	Washer, Flt, .25 Ss	4
24	394816	(001067- )	Panel, Door, Pys, Lh	1
396747	<del>396746</del>	(001067- )	Latch, <del>Rh</del> Lh	2
26	1006446	(001067- )	Rod, Actuator	2
27	396749	(001067- )	Retainer, Clip	2
28	396773	(001067- )	Retainer, Clip	2
29	1002462	(001067- )	Bracket, Catch, Rod	1
30	09740	(001067- )	Screw, Hex, M 8 X 1.25 X 20, Ss	4
31	01685	(001067- )	Washer, Flat, 0.31 Ss	4
32	1002768	(001067- )	Bracket Wldt, Mtg, Rod	1
33	19064	(001067- )	Washer, Flat, #06	5
34	08713	(001067- )	Nut, Hex, Lock, M 8 X 1.25, NI, Ss	2
35	360429	(001067- )	Rod	1
36	08712	(001067- )	Nut, Hex, Lock, M 6 X 1.0, NI, Ss	1
37	23446	(001067- )	Clip, Finger Grip, 0.31-0.75d	1
38	09146	(001067- )	Screw, Pan, M 3 X 0.5 X 12, 4.8	1
39	07154	(001067- )	Nut, Hex, Std, M03X0.5	1
40	08716	(001067- )	Screw, Hex, M 6 X 1.0 X 20, Ss	6
41	07785	(001067- )	Nut, Hex, Std, M06 X 1.0 , Ss	6

Fig. 8 - Rear Lights Group

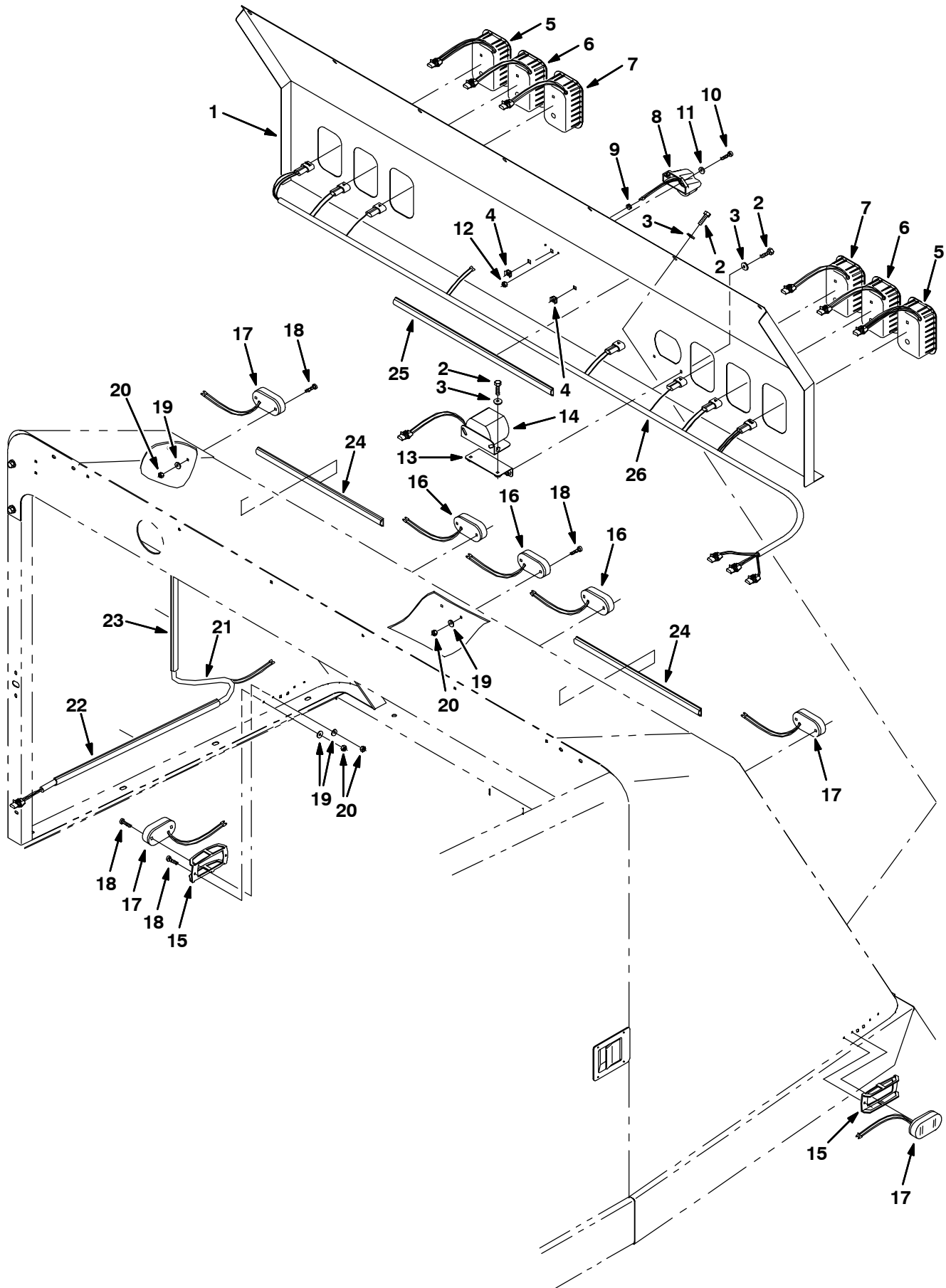


Fig. 8 - Rear Lights Group

Ref.	Tennant Part No.	Machine Serial Number	Description	Qty.
1	395539	(000000-	) Cover, Rear	1
2	09740	(000000-	) Screw, Hex, M08 X 1.25 X 20, Ss	18
3	01685	(000000-	) Washer, Flt, .31 Ss	18
4	41665	(000000-	) Nut, Speed, Retainer, .25-20 [.025-.063]	2
▽	5	396453	(000000-) Lamp Assy, Red , 12v [3 Wire]	2
▲	45780	(000000-	) Lamp, 12vdc, 0.5a Watt 04cp [#1157]	1
▽	6	396451	(000000-) Lamp Assy, Red, 12v [2 Wire]	2
▲	45779	(000000-	) Lamp, 12vdc, 2.1a Watt 32c [#1156]	1
▽	7	396455	(000000-) Lamp Assy, Reverse, 12v	2
▲	45779	(000000-	) Lamp, 12vdc, 2.1a Watt 32c [#1156]	1
8	396457	(000000-	) Lamp Assy, License, 12v	1
9	10632-16	(000000-	) Grommet, Rbr, 0.31id, F/ 0.4h, .06matl	1
10	24196	(000000-	) Screw, Pan, M05 X 0.8 X 20, Ss	2
11	01683	(000000-	) Washer, Flt, #10 Ss	2
12	09739	(000000-	) Nut, Hex, Lock, M05 X 0.8, NI, Ss	2
13	395540	(000000-	) Bracket, Mtg, Alarm	1
14	396458	(000000-	) Alarm, Backup, 12-24vdc, 82-107dba	1
15	396461	(000000-	) Guard, Lamp	2
▽	16	396452	(000000-) Lamp Assy, Marker/Red, 12v	3
▲	87948	(000000-	) Lamp, 12vdc, . A Cp [#194]	1
▽	17	396454	(000000-) Lamp Assy, Reflector/Red, 12v	4
▲	87948	(000000-	) Lamp, 12vdc, . A Cp [#194]	1
18	06928	(000000-	) Screw, Pan, M04 X 0.7 X 20, 4.8	20
19	19064	(000000-	) Washer, Flt, #06	20
20	02850	(000000-	) Nut, Hex, Lock, M04 X 0.7, NI	20
21	394931	(000000-	) Harness, Marker Lights, [Centurion]	1
22	77375	(000000-	) Duct, Vyl, 0.40 X 0.75 .25d 24.0l	1
23	396431	(000000-	) Duct, Vyl, 33.0l	1
24	78732	(000000-	) Duct, Vyl, 0.40 X 0.75 .25d 19.0l	2
25	55973	(000000-	) Duct, Vyl, 0.74 X 1.50 .75d Max 24.0l	1
26	394914	(000000-	) Harness, Taillight, [Centurion]	1

Fig. 9 - Fender Group

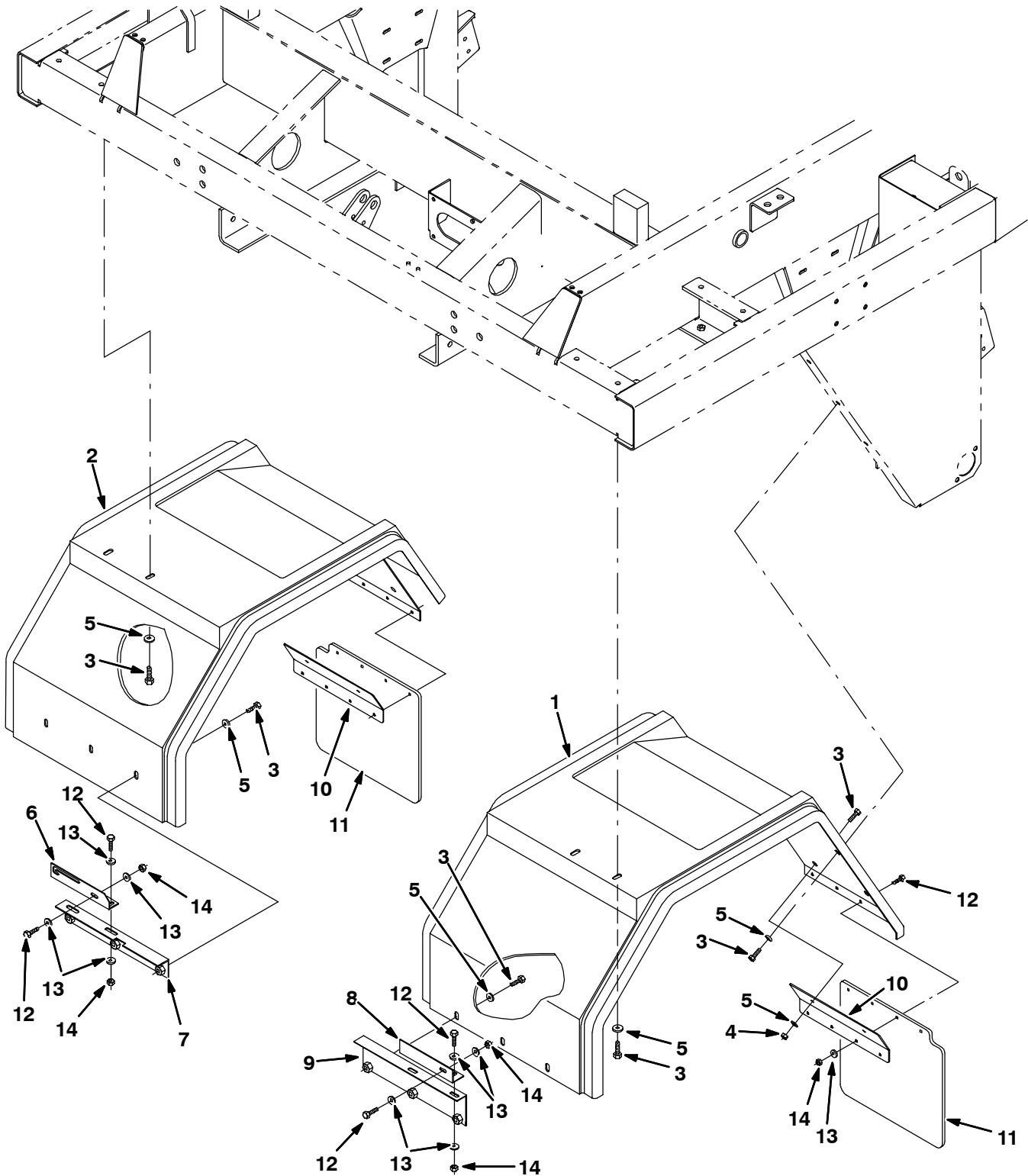


Fig. 9 - Fender Group

Ref.	Tennant Part No.	Machine Serial Number	Description	Qty.
1	395994	(000000-	) Fender, Plstc, Lh	1
2	395995	(000000-	) Fender, Plstc, Rh	1
3	09770	(000000-	) Screw, Hex, M10 X 1.5 X 25, Ss, NI	20
4	41430	(000000-	) Nut, Hex, Lock, M10 X 1.5, NI	4
5	01686	(000000-	) Washer, Flat, 0.38 Ss	16
6	396715	(000000-	) Bracket, Fender, Rh	1
7	396701	(000000-	) Angle, Sppt	1
8	396700	(000000-	) Angle, Sppt	1
9	396714	(000000-	) Bracket, Fender, Lh	1
10	395143	(000000-	) Bracket, Flap	1
11	395142	(000000-	) Skirt, Flap	1
12	09010	(000000-	) Screw, Hex, M 8 X 1.25 X 25, Ss	14
13	01685	(000000-	) Washer, Flat, 0.31 Ss	20
14	08713	(000000-	) Nut, Hex, Lock, M 8 X 1.25, NI, Ss	14

Fig. 10 - Rear Door Group

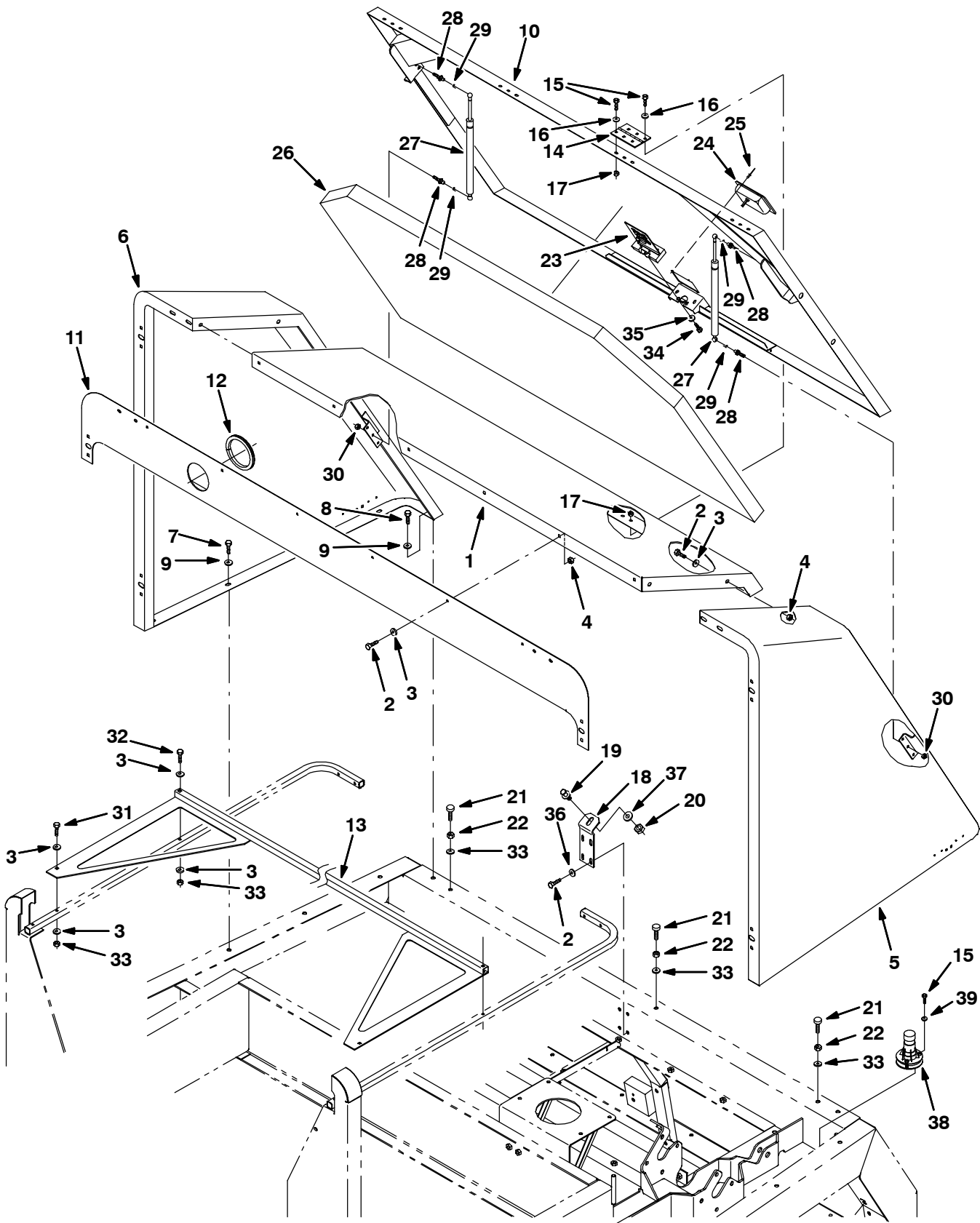




Fig. 10 - Rear Door Group

Ref.	Tennant Part No.	Machine Serial Number	Description	Qty.
1	395265	(000000-	) Panel, Top, White	1
2	16931	(000000-	) Screw, Hex, M08 X 1.25 X 20, 8.8	14
3	41186	(000000-	) Washer, .31 Belleville	20
4	08709	(000000-	) Nut, Hex, Lock, M08 X 1.25,NI	14
5	395268	(000000-001066	) Panel Wldt, Rear, Lh, White (Repl. by 396776)	1
5	9000228	(001067-	) Panel Wldt, Rear, Lh, W/ Label	1
6	395271	(000000-001066	) Panel Wldt, Rear, Rh, White	1
6	9000209	(001067-	) Panel Wldt, Rear, Rh, W/ Label	1
7	39283	(000000-	) Screw, Hex, M10 X 1.5 X 25, 8.8	8
8	06960	(000000-	) Screw, Hex, M10 X 1.5 X 16, 8.8	2
9	32492	(000000-	) Washer, Flt, .38 Std	10
10	9000229	(000000-	) Door Wldt, Rear, W/ Label	1
11	396331	(000000-	) Brace, Shroud, White	1
12	62595-15	(000000-	) Molding, Trim, .08-.11 13.20	1
13	394977	(000000-	) Brace Wldt	1
14	74040	(000000-	) Hinge	4
15	06943	(000000-	) Screw, Hex, M06 X 1.0 X 20, 8.8	28
16	32490	(000000-	) Washer, Flt, .25 Std	24
17	07790	(000000-	) Nut, Hex, Flng, M06 X 1.0	24
18	395005	(000000-	) Bracket, Mtg, Pin	1
19	396654	(000000-	) Bolt, Latch, 0.675d, 1.150l, .44-14thrd	1
20	43955	(000000-	) Nut, Hex, Std, .44-14, 5	1
21	396402	(000000-	) Bumper, Rbr, 1.0d 0.38t .31-18	2
22	32521	(000000-	) Nut, Hex, Jam, .31-18	2
23	394814	(000000-	) Latch, Door	3
24	394818	(000000-	) Handle	3
25	395289	(000000-	) Rivet, Blind, .156d X .30 X .31, Ss	4
26	394817	(000000-001247	) Panel, Door, Pys, Rear	1
27	64535	(000000-	) Gas spring, 120lb, 7.1strk	2
28	58494	(000000-	) Stud, Ball, .39d .31-16, Gasspring	4
29	64595	(000000-	) Clip, Safety, Gasspring	4
30	01760	(000000-	) Nut, Hex, Lock, .31-18, NI, Thin	4
31	39278	(000000-	) Screw, Hex, M08 X 1.25 X 50, 8.8	2
32	39279	(000000-	) Screw, Hex, M08 X 1.25 X 70, 8.8	2
33	41430	(000000-	) Nut, Hex, Lock, M10 X 1.5, NI	4
34	01696	(000000-	) Screw, Hex, .25-20 X 0.50, Ss	12
35	01684	(000000-	) Washer, Flt, .25 Ss	12
36	41186	(000000-	) Washer, Belleville, .31	4
37	32486	(000000-	) Washer, Flat, 0.50 Sae	1
38	396664	(000000-	) Sensor Assy, Level [5/9.9/.5]	1
39	32483	(000000-	) Washer, Flat, 0.25 Sae	4

Fig. 11 - Fuel Tank Group

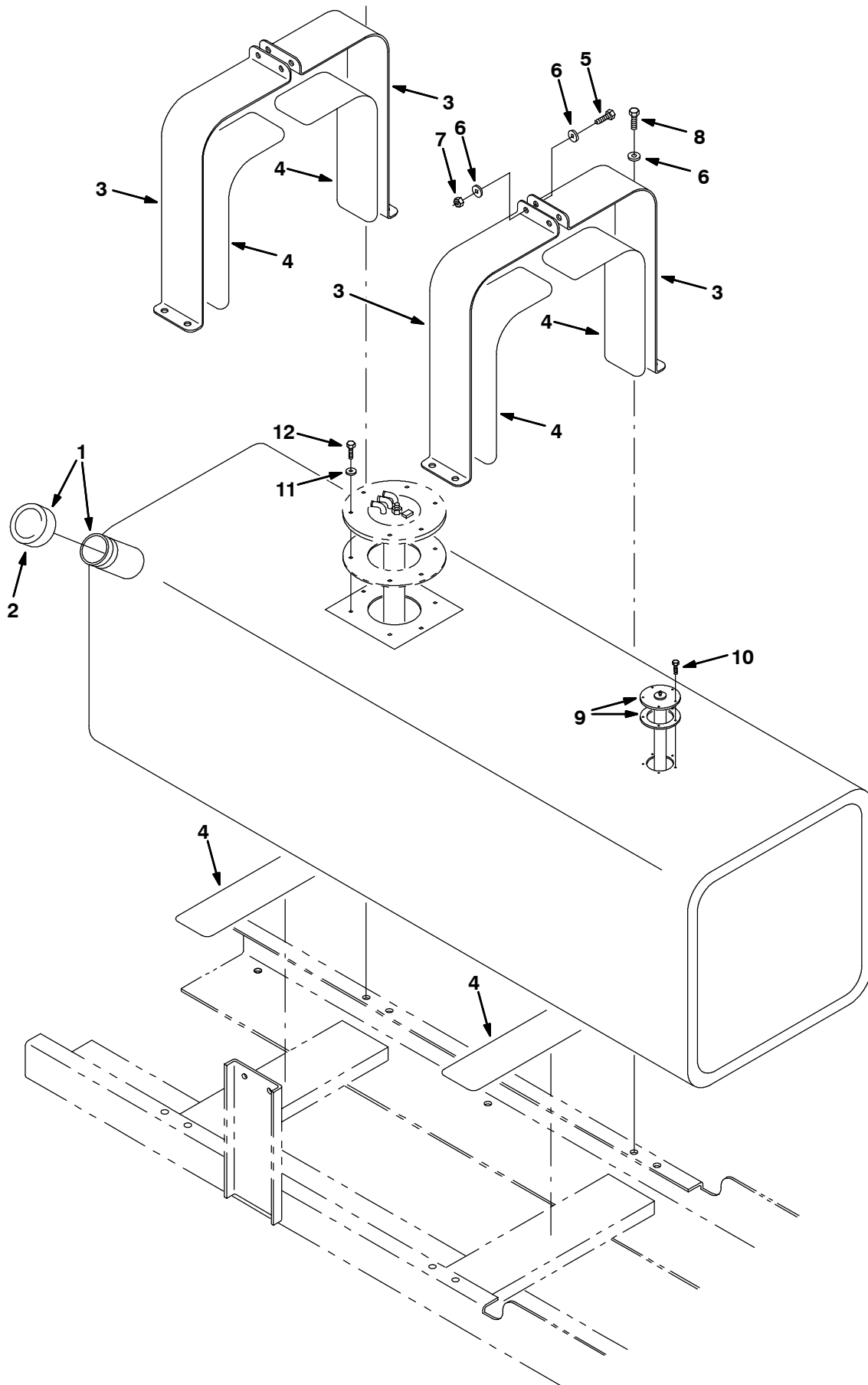


Fig. 11 - Fuel Tank Group

	Ref.	Tenant Part No.	Machine Serial Number	Description	Qty.
▽	1	396729	(000000-	) Tank, Fuel W/ Label	1
▲	2	396580	(000000-	) Cap, Fuel	1
	3	395414	(000000-	) Strap, Tank, Fuel	4
	4	395655	(000000-	) Strap, Rbr	6
	5	49694	(000000-	) Screw, Hex, M8 X 1.25 X 50, Ss	4
	6	32491	(000000-	) Washer, Flt, .31 Std	16
	7	08709	(000000-	) Nut, Hex, Lock, M08 X 1.25, NI	4
	8	39277	(000000-	) Screw, Hex, M08 X 1.25 X 25, 8.8	8
	9	395456	(000000-	) Send-Unit, Fuel, Level	1
	10	39651	(000000-	) Screw, Pan, #10-24 X 0.75, 1	5
	11	01684	(000000-	) Washer, Flt, .25 Ss	6
	12	24672	(000000-	) Screw, Hex, .25-20 X 0.75, Ss	6

Fig. 12 - Conveyor Frame and Shrouds Group (000000-001210)

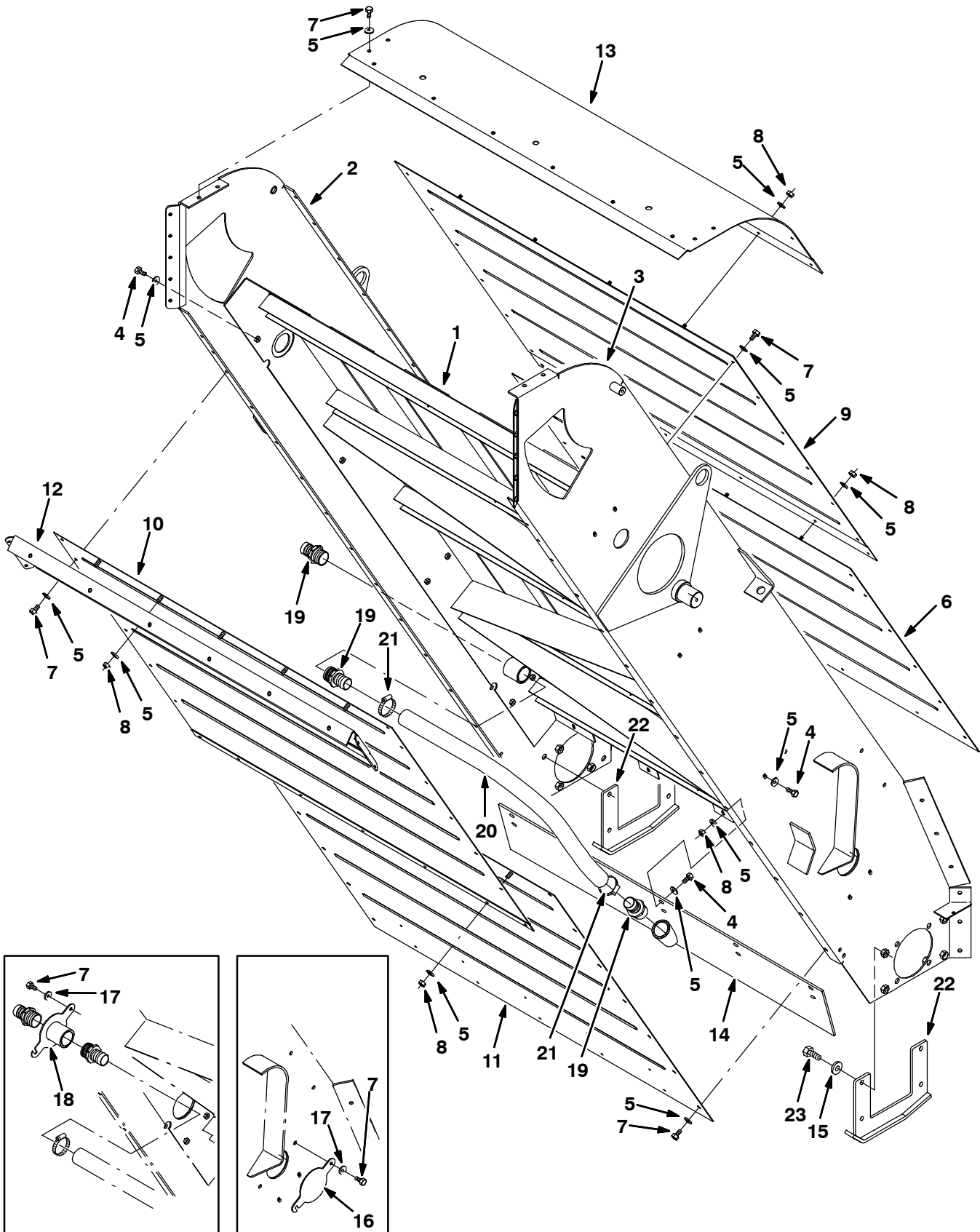


Fig. 12 - Conveyor Frame and Shrouds Group (000000-001210)

Ref.	Tennant Part No.	Machine Serial Number	Description	Qty.
1	394755	(000000-001210 )	Slide Wldt, Sppt	1
2	396756	(000000-001210 )	Panel Wldt, Conveyor, Rh W/ Label	1
3	396789	(000000-001210 )	Panel Wldt, Conveyor, Lh W/ Label	1
4	16931	(000000-001210 )	Screw, Hex, M08 X 1.25 X 20, 8.8	26
5	32491	(000000-001210 )	Washer, Flt, .31 Std	104
6	394527	(000000-001210 )	Cover, Rear, Lower	1
7	16735	(000000-001210 )	Screw, Hex, M08 X 1.25 X 16, 8.8	60
8	39311	(000000-001210 )	Nut, Hex, Std, M08 X 1.25	28
9	394528	(000000-001210 )	Cover, Rear, Upper	1
10	394566	(000000-001210 )	Cover, Front, Upper	1
11	394567	(000000-001210 )	Cover, Front, Lower	1
12	395639	(000000-001210 )	Cover, Conveyor, Front	1
13	394766	(000000-001210 )	Shroud, Upper, Wrap	1
14	396370	(000000-001210 )	Plate Wldt, Scraper	1
15	41619	(000000-001210 )	Washer, Flt, .50 Ss	8
16	394578	(000000- xxxxxx )	Guide, Roller, Rh	1
17	32485	(000000- xxxxxx )	Washer, Flt, .38 Sae	4
18	394875	(000000- xxxxxx )	Cover Wldt, Flush	1
19	394992	(000000-001210 )	Fitting, Plstc, Str, Bm24/Pm24	3
20	394994	(000000-001210 )	Hose, Water	1
21	22297	(000000-001210 )	Clamp, Hose, Wormdrive, 1.56-2.50d	2
22	396365	(000000-001210 )	Skid Wldt, Conveyor	2
23	09029	(000000-001210 )	Screw, Hex, M12 X 1.75 X 40, Ss	8

Fig. 13 - Conveyor Frame and Shrouds Group (001211- )

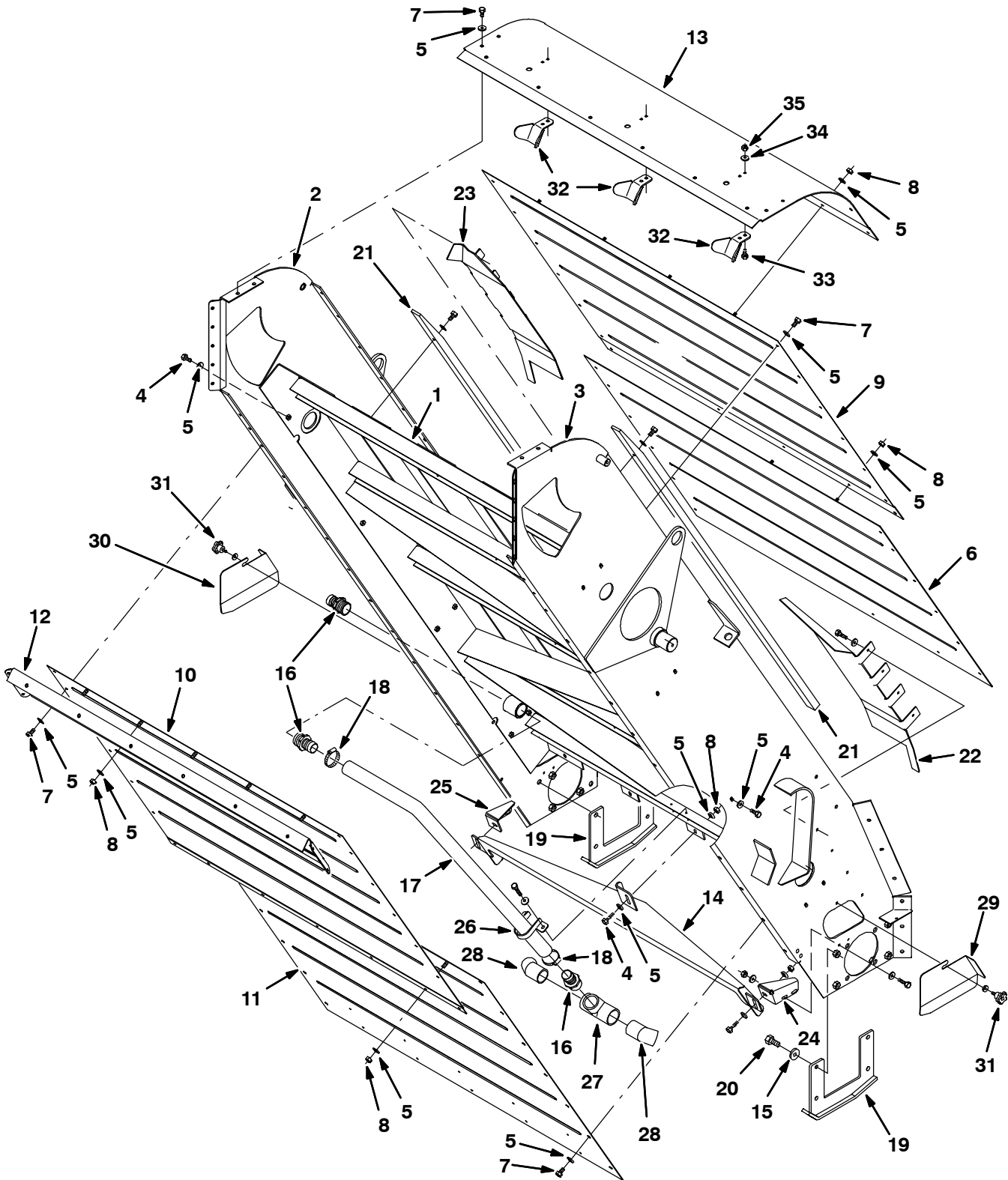


Fig. 13 - Conveyor Frame and Shrouds Group (001211- )

Ref.	Tennant Part No.	Machine Serial Number	Description	Qty.
1	394755	(001211-	) Slide Wldt, Sppt	1
2	396756	(001211-	) Panel Wldt, Conveyor, Rh W/ Label	1
3	396789	(001211-	) Panel Wldt, Conveyor, Lh W/ Label	1
4	16931	(001211-	) Screw, Hex, M08 X 1.25 X 20, 8.8	26
5	32491	(001211-	) Washer, Flt, .31 Std	104
6	394527	(001211-	) Cover, Rear, Lower	1
7	16735	(001211-	) Screw, Hex, M08 X 1.25 X 16, 8.8	60
8	39311	(001211-	) Nut, Hex, Std, M08 X 1.25	28
9	394528	(001211-	) Cover, Rear, Upper	1
10	394566	(001211-	) Cover, Front, Upper	1
11	394567	(001211-	) Cover, Front, Lower	1
12	395639	(001211-	) Cover, Conveyor, Front	1
13	394766	(001211-	) Shroud, Upper, Wrap	1
14	1009409	(001211-	) Plate Wldt, Scraper	1
15	41619	(001211-	) Washer, Flt, .50 Ss	8
16	1010293	(001211-	) Fitting, Plstc, Str, Bm24/Pm24	3
17	394994	(001211-	) Hose, Water	1
18	22297	(001211-	) Clamp, Hose, Wormdrive, 1.56-2.50d	2
19	396365	(001211-	) Skid Wldt, Conveyor	2
20	09029	(001211-	) Screw, Hex, M12 X 1.75 X 40, Ss	8
21	1009945	(001211-	) Strip, Wear	2
22	1010164	(001211-	) Skirt, Conveyor, Lh	1
23	1010069	(001211-	) Skirt, Conveyor, Rh	1
24	1010091	(001211-	) Bracket, Scraper, Lh	1
25	1010092	(001211-	) Bracket, Scraper, Rh	1
26	1010093	(001211-	) Bracket, Mtg, Hose	1
27	1010296	(001211-	) Fitting, Plstc, E90	1
28	1010295	(001211-	) Fitting, Plstc, E45	2
29	396828	(001211-	) Cover, Plate, Rh	1
30	396916	(001211-	) Cover, Plate, Lh	1
31	397194	(001211-	) Knob Assy, Star, 1.75d 1.2l M08x1.25 0.8	2
32	1007067	(001211-	) Bracket, Guard	3
33	16931	(001211-	) Screw, Hex, M8 X 1.25 X 20, 8.8	6
34	32491	(001211-	) Washer, Flat, 0.31 Std	6
35	39311	(001211-	) Nut, Hex, Std, M08 X 1.25	6

Fig. 14 - Conveyor Drive Group

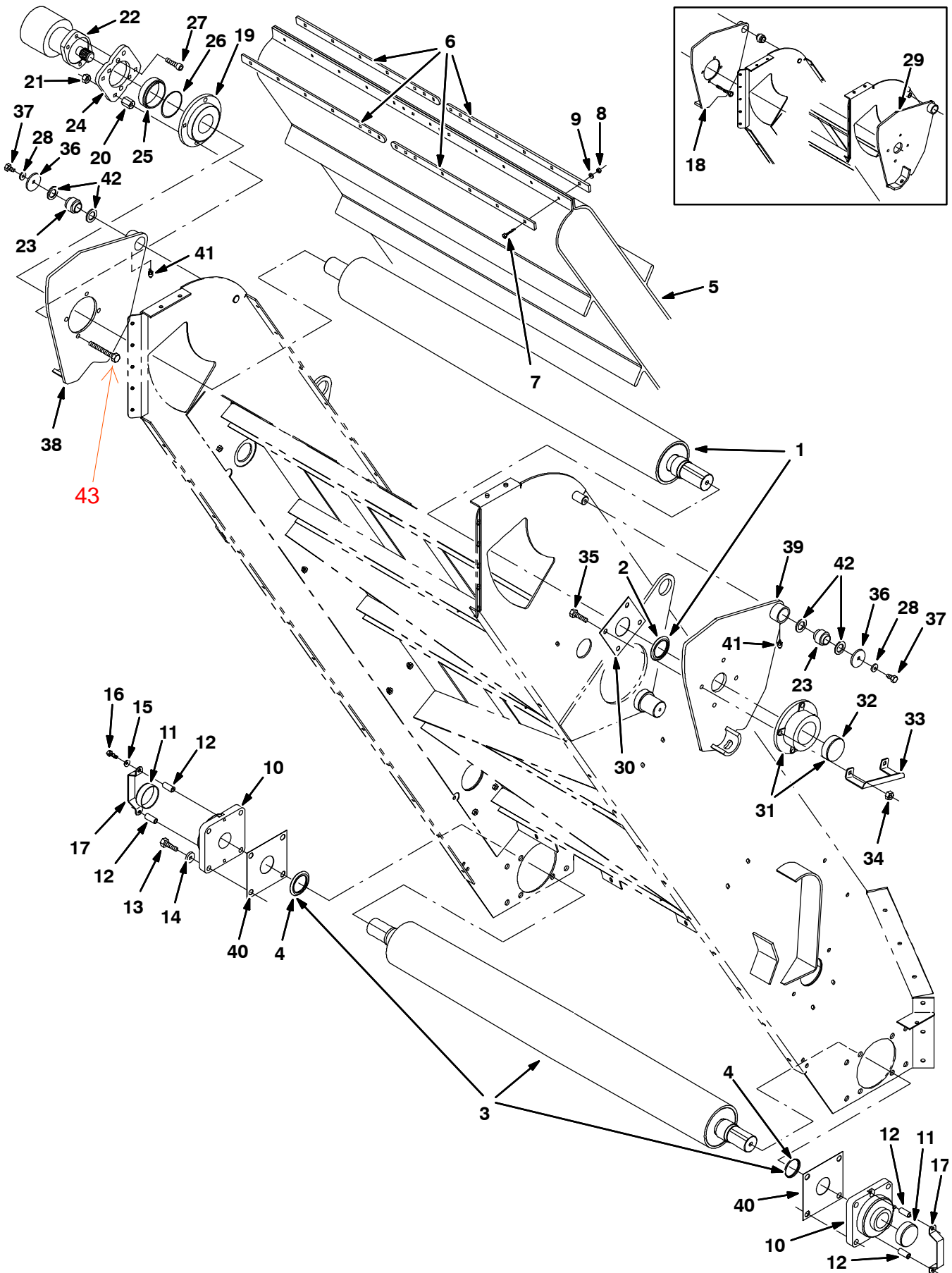




Fig. 14 - Conveyor Drive Group

Ref.	Tennant Part No.	Machine Serial Number	Description	Qty.
▽	1	396909	(000000- ) Kit, Roller Assy, Top	1
▲	2	760697	(000000- ) Seal, Shaft	1
▲		396910	(000000- ) Tube, Seal Install	1
▽	3	396849	(000000- ) Kit, Roller Assy, Lower	1
▲	4	760697	(000000- ) Seal, Shaft	2
▲		396910	(000000- ) Tube, Seal Install	1
		396914	(000000- ) Kit, Repair, Conveyor Belt	1
▽		396823	(000000- ) Kit, Ci, Belt Assy, Conveyor	1
▲	5	394575	(000000- ) Belt, Conveyor	1
▲	6	396497	(000000- ) Strip, Belt, Splice	4
▲	7	06962	(000000- ) Screw, Hex, M08 X 1.25 X 40, 8.8	14
▲	8	41430	(000000- ) Nut, Hex, Lock, M08 X 1.25,NI	14
▲	9	55624	(000000- ) Washer, Flt, .25 Std	28
▽	10	761111	(000000- ) Bearing, Flange	2
▲	11	765817	(000000- ) Cap, Bearing, Lower	1
	12	765806	(000000- ) Spacer, Strap	4
	13	06971	(000000- ) Screw, Hex, M12 X 1.75 X 50, 8.8	8
	14	32486	(000000- ) Washer, Flt, .50 Sae	8
	15	32491	(000000- ) Washer, Flt, .31 Std	4
	16	39278	(000000- ) Screw, Hex, M08 X 1.25 X 50, 8.8	4
	17	765805	(000000- ) Strap, Retainer, Bearing Cup	2
	18	394856	(000000- xxxxxx ) Pivot Wldt, Rh	1
	19	761108	(000000- ) Bearing, Flange	1
	20	761266	(000000- ) Spacer	4
	21	25015	(000000- ) Nut, Hex, Std, .50-13	4
	22	394434	(000000- ) Motor, Hyd, Gear, [In] 06.2 B 3000 (See Breakdowns)	1
	23	42120-4	(000000- ) Bearing, Self Align, 1.00b 1.63d	2
	24	761252	(000000- ) Plate, Motor	1
	25	761286	(000000- ) Retainer, Grease	1
	26	765816	(000000- ) Seal, O-Ring	1
	27	396367	(000000- ) Screw, Soc, .50-13 X 1.50, Al	4
	28	32492	(000000- ) Washer, Flt, .38 Std	2
	29	394857	(000000- xxxxxx ) Pivot Wldt, Lh	1
	30	761254	(000000- ) Plate, Seal, Upper	1
▽	31	761289	(000000- ) Bearing, Flange	1
▲	32	765818	(000000- ) Cap, Bearing, Upper	1
	33	765807	(000000- ) Strap, Retainer, Bearing Cup	1
	34	08711	(000000- ) Nut, Hex, Lock, M12 X 1.75,NI	4
	35	06971	(000000- ) Screw, Hex, M12 X 1.75 X 50, 8.8	4
	36	395249	(000000- ) Washer, .41b 2.125d .183t	2
	37	06961	(000000- ) Screw, Hex, M10 X 1.5 X 20, 8.8	2
	38	396754	( xxxxxx- ) Pivot Wldt, Rh W/ Label	1
	39	396752	( xxxxxx- ) Pivot Wldt, Lh W/ Label	1
	40	761253	(000000- ) Plate, Seal, Lower	2
	41	07259	(000000- ) Fitting, Grease, Str Pm04 .47l	2
	42	1010853	(000000- ) Washer, Spacer	4
	43	763146	(000000- ) Screw, Hex	4

Fig. 15 - Conveyor Lift Group

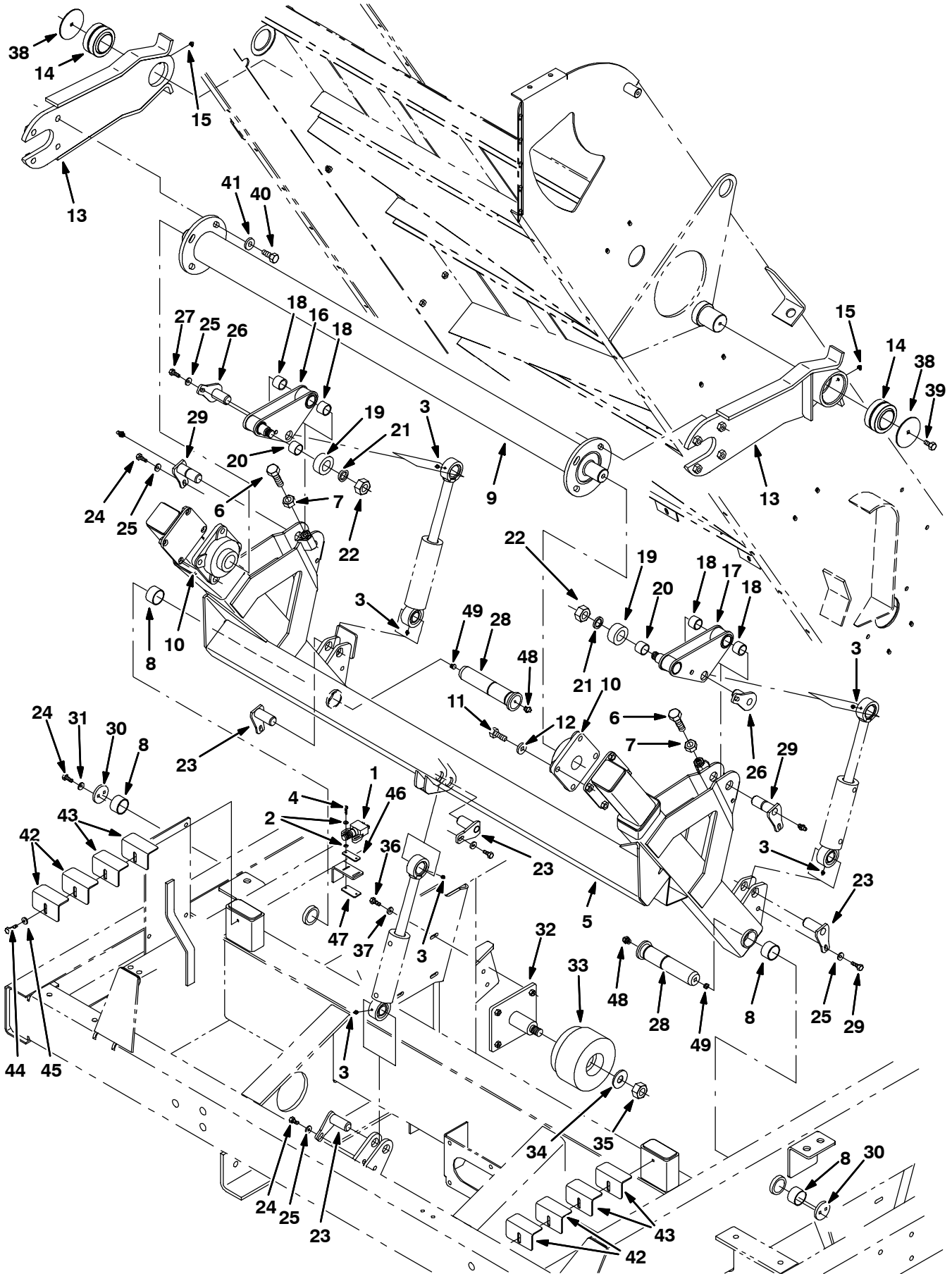


Fig. 15 - Conveyor Lift Group

Ref.	Tennant Part No.	Machine Serial Number	Description	Qty.
1010398	<del>762591</del>	(000000-	) Switch, Micro	1
2	19064	(000000-	) Washer, Flt, #06	4
3	07259	(000000-	) Fitting, Grease, Str Pm04 .47l	6
4	09228	(000000-	) Screw, Hex m4	2
5	395205	(000000-	) Frame Wldt, Lift, Conveyor	1
6	06981	(000000-	) Screw, Hex, M16 X 2.0 X 40, 8.8	2
7	763066	(000000-	) Nut, Hex, Jam, M16x2.0	2
8	395212	(000000-	) Bearing, Pivot, 1.5b 1.0l [Duralon]	4
9	395213	(000000-	) Tube Wldt, Torque	1
10	394327	(000000-	) Bearing, Flng, 4-Hole, 1.50b	2
11	06969	(000000-	) Screw, Hex, M12 X 1.75 X 40, 8.8	8
12	32486	(000000-	) Washer, Flt, .50 Sae	8
13	1011377	(000000-	) Arm Wldt, Lift	2
14	394866	(000000-	) Bearing, Spherical, 2.0b	2
15	09718	(000000-	) Fitting, Grease, E90 Pm04 .75l	2
16	395223	(000000-	) Pivot Wldt, Rh	1
17	395226	(000000-	) Pivot Wldt, Lh	1
18	394867	(000000-	) Bearing, Pivot, 1.00 X 0.75l [Duralon]	4
19	395711	(000000-	) Sleeve, Roller	2
20	394867	(000000-	) Bearing, Pivot, 1.00 X 0.75l [Duralon]	2
21	39350	(000000-	) Washer, Flat, 0.75 Sae	2
22	763067	(000000-	) Nut, Hex, Jam M20 X 2.5	2
23	395236	(000000-	) Pin Wldt, Cyl, Pivot, 1.0d 2.25l	4
24	39277	(000000-	) Screw, Hex, M08 X 1.25 X 25, 8.8	8
25	32491	(000000-	) Washer, Flt, .31 Std	6
26	395237	(000000-	) Pin Wldt, Cyl, Pivot, 1.0d 1.875l	2
27	16931	(000000-	) Screw, Hex, M08 X 1.25 X 20, 8.8	2
28	1008475	(000000-	) Pin Wldt, Pivot, 1.5d 7.375l	2
29	395243	(000000-	) Pin Wldt, Bellcrank	2
30	395703	(000000-	) Washer, Retainer	2
31	39349	(000000-	) Washer, Flt, .31 Sae	4
32	395704	(000000-	) Plate Wldt, Sppt, Conveyor	2
33	395068	(000000-	) Block, Stop	2
34	395707	(000000-	) Washer, 0.83b 2.00d .12, Stl	2
35	07783	(000000-	) Nut, Hex, Std, M20 X 2.5	2
36	368412	(000000-	) Screw, Hex, M 8 X 1.25 X 30, 10.9	8
37	41186	(000000-	) Washer, Belleville, .31	8
38	394750	(000000-	) Disc, Retainer	2
39	06961	(000000-	) Screw, Hex, M10 X 1.5 X 20, 8.8	2
40	69972	(000000-	) Screw, Hex, M12 X 1.75 X 40, 10.9	8
41	36328	(000000-	) Washer, Belleville, .50	8
42	396378	(000000-	) Shim, Conveyor	4
43	396379	(000000-	) Shim, Conveyor	4
44	76099	(000000-	) Screw, Hex, M08 X 1.25 X 25, Fmg	2
45	32483	(000000-	) Washer, Flat, .25 Sae	2
46	396573	(000000-	) Plate, Spacer	4
47	396572	(000000-	) Plate, Switch	4
48	06418	(000000-	) Fitting, Grease, Str Pm02 .66L	2
49	10552	(000000-	) Fitting, Pipe, Plug, Pm02 Soc Head	2

Fig. 16 - Conveyor Torque Tube And Spring Group

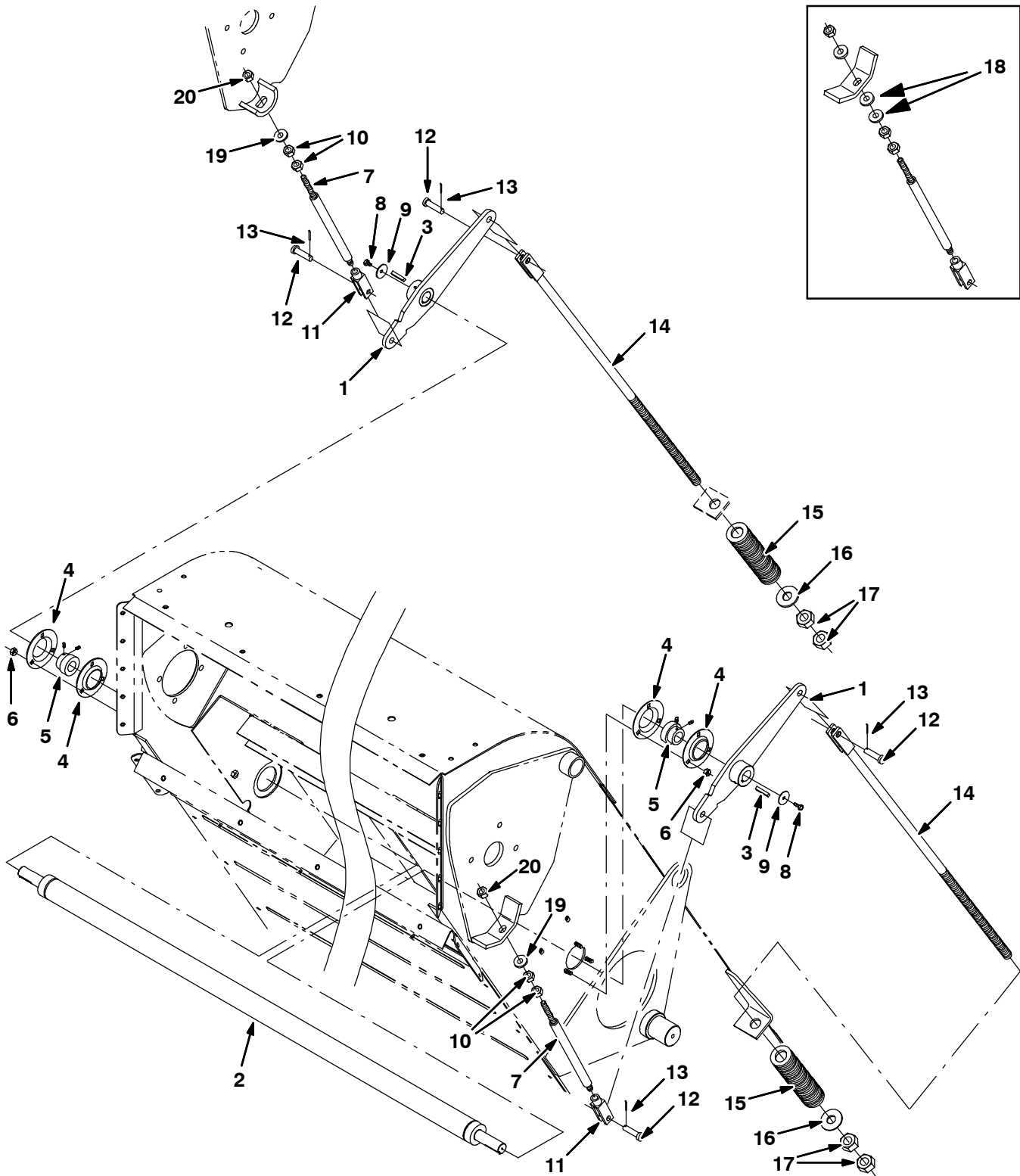


Fig. 16 - Conveyor Torque Tube And Spring Group

Ref.	Tennant Part No.	Machine Serial Number	Description	Qty.
1	395063	(000000-	) Pivot Wldt, Tensioner	2
2	395061	(000000-	) Tube Wldt, Torque	1
3	00930	(000000-	) Key, Sq, 0.25 X 0.25, 01.50L	2
4	36190	(000000-	) Flange, Brg, 2.0id 3h	4
5	24835	(000000-	) Bearing, W/ Collar, 1.00b 2.05d 1.21w	2
6	08709	(000000-	) Nut, Hex, Lock, M08 X 1.25,NI	6
7	396795	(000000- xxxxxx	) Rod, Thrd, 2 End M12x1.75 14.25	2
7	396741	( xxxxxx-	) Rod, Thrd, 2 End M16 X 2.0 14.25	2
8	87308	(000000-	) Screw, Hex, M06 X 1.0 X 12, 8.8	2
9	41178	(000000-	) Washer, Flat, .25 Fender	2
10	39313	(000000- xxxxxx	) Nut, Hex, Std, M12 X 1.75	4
10	763066	( xxxxxx-	) Nut, Hex, Jam, M16x2.0	4
11	763384	(000000-	) Yoke	2
12	763383	(000000-	) Pin, Clevis	4
13	08236	(000000-	) Pin, Cotter, .156 X 1.25	4
14	395066	(000000-	) Rod Weld, Tensioner	2
15	768014	(000000-	) Spring, Lift, Brush	2
16	32495	(000000-	) Washer, Flat, .75 Hard	2
17	07783	(000000-	) Nut, Hex, Std, M20 X 2.5	4
18	765810	(000000- XXXXXX	) Washer, Spherical	2
19	33925	(000000- xxxxxx	) Washer, Flat, M12, 13x24x2.5ss	2
19	04400	( xxxxxx-	) Washer, Flat, M16, 17.0x30x3ss	2
20	08711	(000000- xxxxxx	) Nut, Hex, Lock, M12 X 1.75,NI	2
20	33342	( xxxxxx-	) Nut, Hex, Lock, M16 X 2.0, NI	2

Fig. 17 - Upper Conveyor Skirts Group

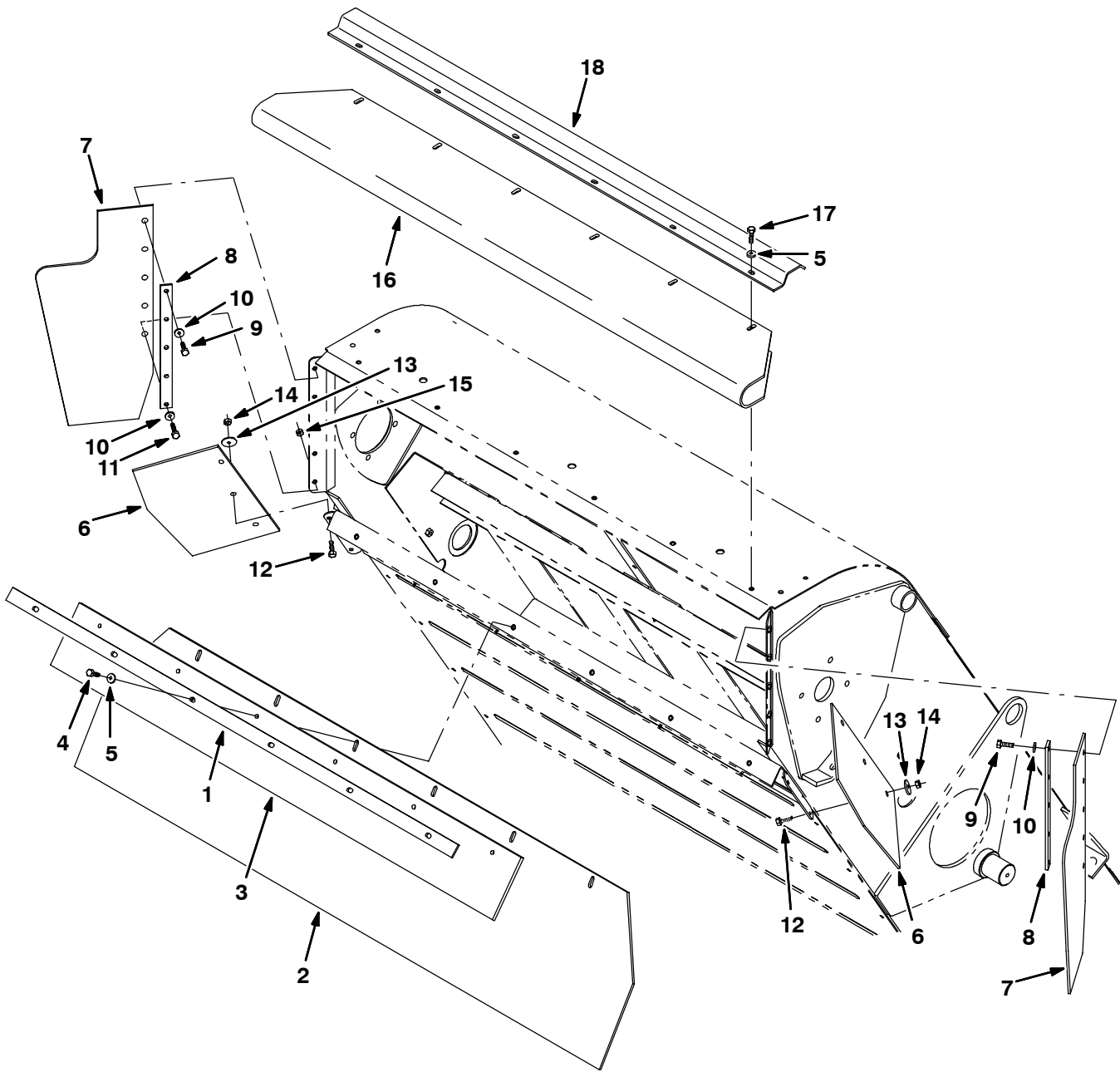


Fig. 17 - Upper Conveyor Skirts Group

Ref.	Tennant Part No.	Machine Serial Number	Description	Qty.
1	395684	(000000-	) Retainer, Strap, Top	1
2	395640	(000000-	) Seal, Conveyor, Front	1
3	394558	(000000-	) Strap, Retainer	1
4	76570	(000000-	) Screw, Hex, M08 X 1.25 X 30, 8.8	6
5	32491	(000000-	) Washer, Flt, .31 Std	12
6	395637	(000000-	) Seal, Conveyor, Side, Bottom	1
7	395638	(000000-	) Seal, Conveyor, Side, Top	1
8	394756	(000000-	) Strip, Sppt	2
9	06943	(000000-	) Screw, Hex, M06 X 1.0 X 20, 8.8	8
10	32490	(000000-	) Washer, Flt, .25 Std	10
11	06945	(000000-	) Screw, Hex, M06 X 1.0 X 30, 8.8	2
12	39277	(000000-	) Screw, Hex, M08 X 1.25 X 25, 8.8	4
13	30013	(000000-	) Washer, Flat, .31 Fender	6
14	08709	(000000-	) Nut, Hex, Lock, M08 X 1.25, NI	4
15	08708	(000000-	) Nut, Hex, Lock, M06 X 1.0, NI	2
16	395686	(000000-	) Seal, Conveyor, Top	1
17	06955	(000000-	) Screw, Hex, M08 X 1.25 X 35, 8.8	6
18	396482	(000000-	) Panel, Guard, Top	1

Fig. 18 - Lower Conveyor Skirts Group

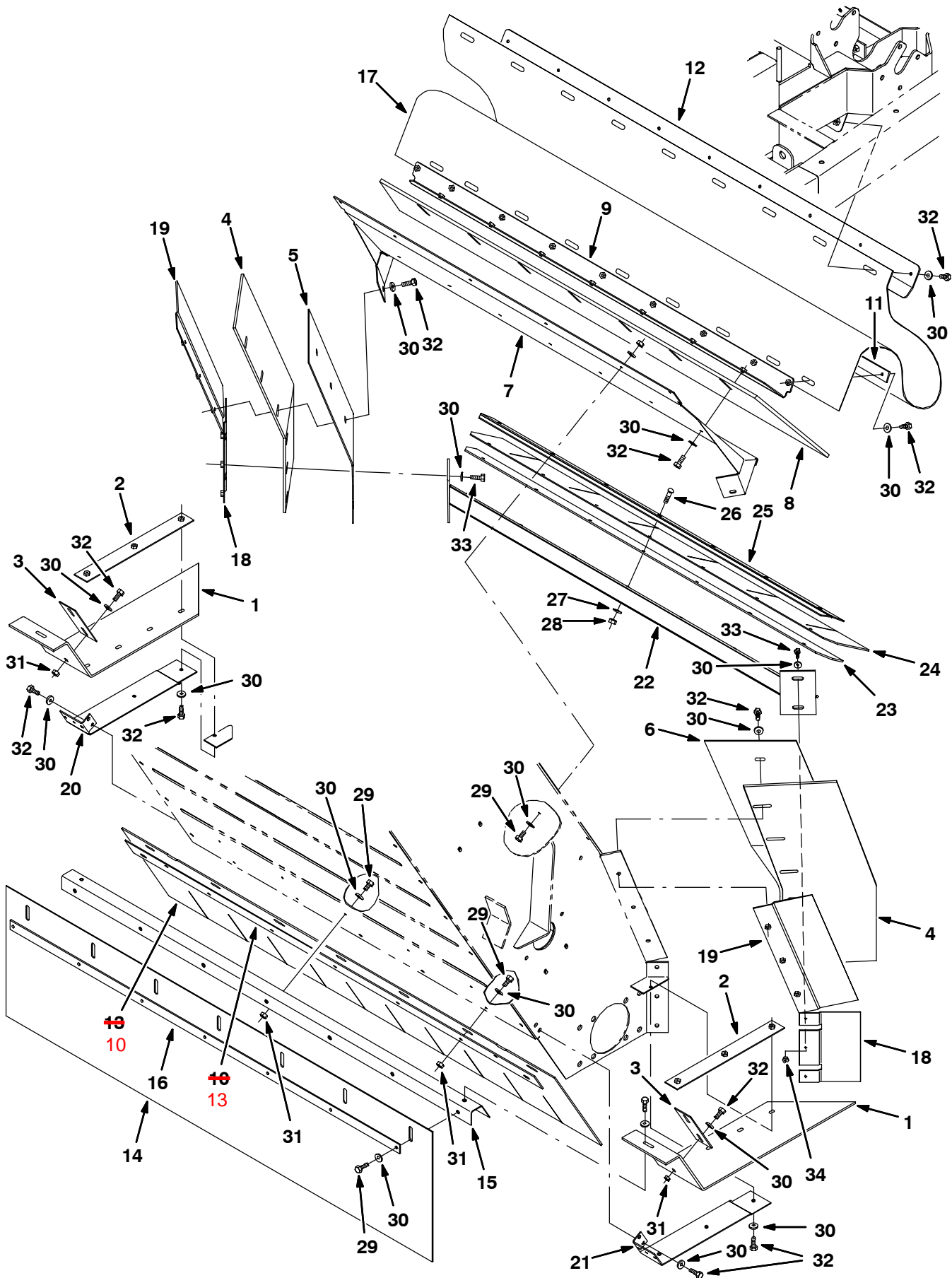




Fig. 18 - Lower Conveyor Skirts Group

Ref.	Tennant Part No.	Machine Serial Number	Description	Qty.
1	395051	(000000-	) Skirt, Side	2
2	395052	(000000-	) Strap, Retainer	2
3	395053	(000000-	) Strap, Retainer	2
4	395073	(000000-	) Seal, Side, Lower	2
5	394757	(000000-	) Plate, Deflector, Rh	1
6	394758	(000000-	) Plate, Deflector, Lh	1
7	395059	(000000-	) Shroud Wldt, Lower, Rear	1
8	395074	(000000-	) Skirt	1
9	394397	(000000-	) Angle, Skirt	1
10	394393	(000000-	) Skirt, Conveyor	1
11	394396	(000000-	) Strip, Skirt	1
12	394398	(000000-	) Strip, Skirt	2
13	394395	(000000-	) Strip, Skirt	1
14	394382	(000000-	) Skirt, Conveyor	1
15	394383	(000000-	) Angle, Skirt	1
16	394384	(000000-	) Strip, Skirt	1
17	394399	(000000-	) Skirt, Conveyor	1
18	395627	(000000-	) Bracket, Skirt, Short	2
19	395628	(000000-	) Bracket, Skirt, Long	2
20	394772	(000000-	) Strip, Retainer, Skirt, Rh	1
21	395055	(000000-	) Strip, Retainer, Skirt, Lh	1
22	395737	(000000-	) Angle Wldt, Wedge	1
23	395733	(000000-	) Skirt, Sppt	1
24	395734	(000000-	) Skirt, Wedge	1
25	395735	(000000-	) Strip, Retainer	1
26	379792	(000000-	) Bolt, Carriage, M08 X 1.25 X 35	7
27	32491	(000000-	) Washer, Flt, .31 Std	7
28	08709	(000000-	) Nut, Hex, Lock, M08 X 1.25,NI	7
29	09010	(000000-	) Screw, Hex, M08 X 1.25 X 25, Ss	21
30	01685	(000000-	) Washer, Flt, .31 Ss	74
31	08713	(000000-	) Nut, Hex, Lock, M08 X 1.25,NI, Ss	18
32	09011	(000000-	) Screw, Hex, M08 X 1.25 X 30, Ss	45
33	09023	(000000-	) Screw, Hex, M08 X 1.25 X 35, Ss FI	4
34	07791	(000000-	) Nut, Hex, Flng, M8 X 1.25	3

Fig. 19 - Conveyor Bearing Lube Group

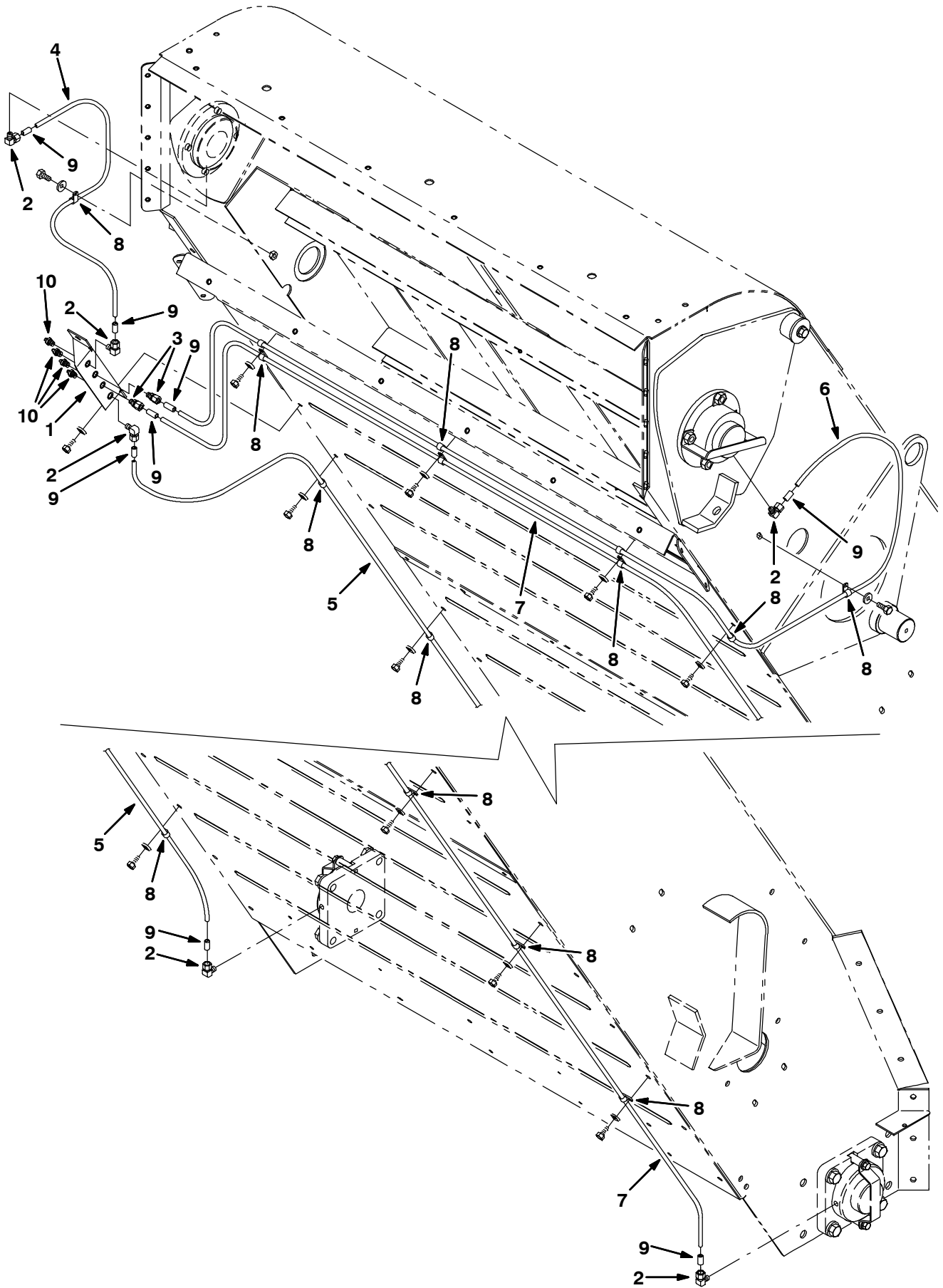


Fig. 19 - Conveyor Bearing Lube Group

Ref.	Tennant Part No.	Machine Serial Number	Description	Qty.
1	396372	(000000-	) Mount Wldt, Remote Grease	1
2	761742	(000000-	) Fitting, Elbow	6
3	396381	(000000-	) Fitting, Brs, Str, Cf05/Pm02	2
4	396382	(000000-	) Tube, Plstc, 0.31od 0.18id 31.6l	1
5	396383	(000000-	) Tube, Plstc, 0.31od 0.18id 80.3l	1
6	396384	(000000-	) Tube, Plstc, 0.31od 0.18id 97.6l	1
7	396385	(000000-	) Tube, Plstc, 0.31od 0.18id 149.5l	1
8	76735	(000000-	) Hose, Rbr, 0.50id 0.78d 018.0l	17
9	761783	(000000-	) Sleeve, Brass 05com	8
10	06418	(000000-	) Fitting, Grease, Str Pm02 .66l	4

Fig. 20 - Main Brush And Drag Shoe Lift Arms Group

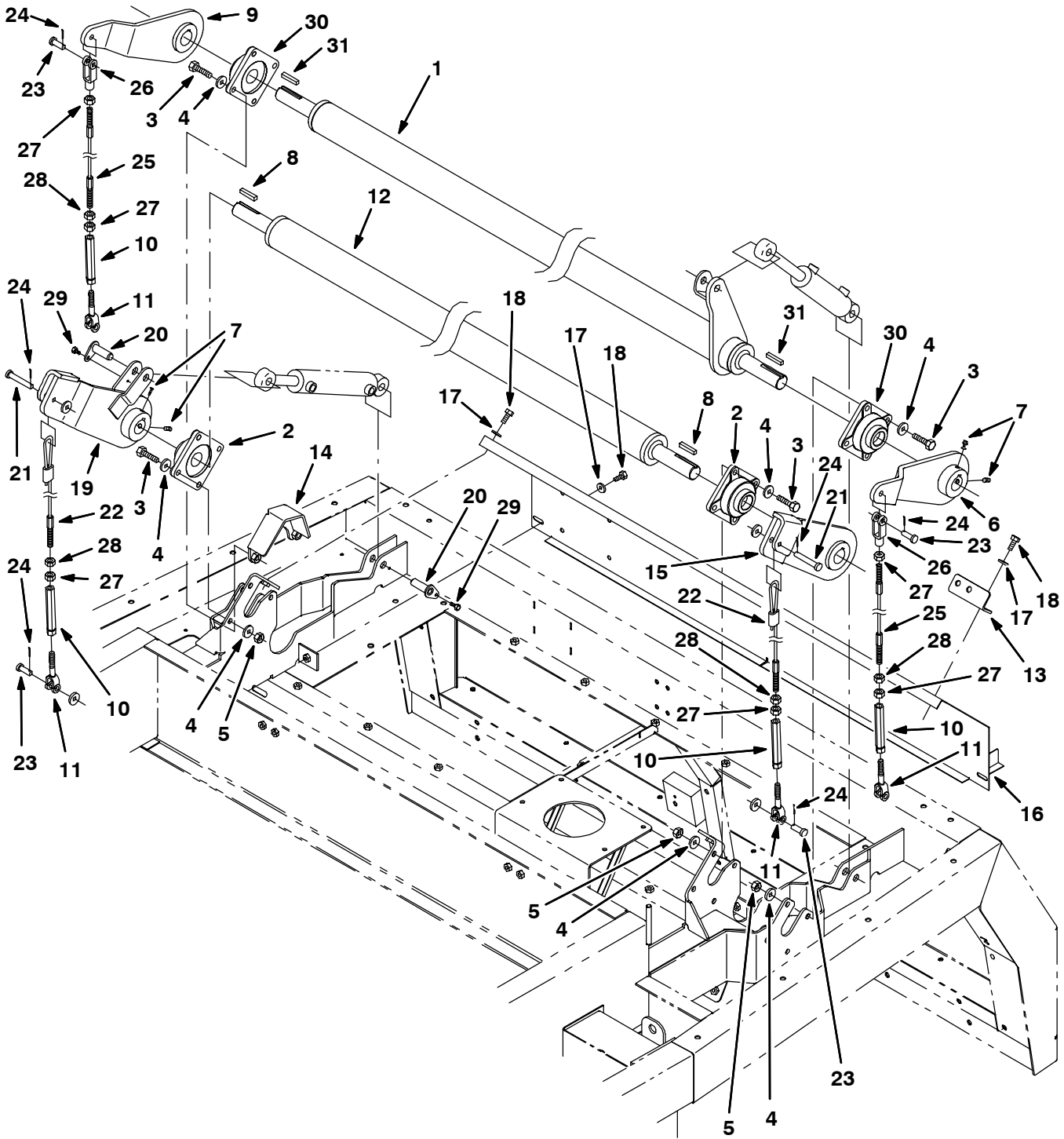


Fig. 20 - Main Brush And Drag Shoe Lift Arms Group

Ref.	Tennant Part No.	Machine Serial Number	Description	Qty.
1	394348	(000000-	) Tube Wldt, Lift, Brush	1
2	394327	(000000-	) Bearing, Flng, 4-Hole, 1.50b	2
3	06971	(000000-	) Screw, Hex, M12 X 1.75 X 50, 8.8	16
4	32486	(000000-	) Washer, Flt, .50 Sae	32
5	08711	(000000-	) Nut, Hex, Lock, M12 X 1.75,NI	15
6	394329	(000000-	) Arm Wldt, Lift, Brush, Lh	1
7	76523	(000000-	) Screw, Set, M10 X 1.5 X 20, Soc	8
8	395811	(000000-	) Key, Sq, 0.38 X .038, 02.00l	2
9	394330	(000000-	) Arm Wldt, Lift, Brush, Rh	1
10	394232	(000000-	) Turnbuckle, Lift	4
11	395813	(000000-	) Link, Lift, Brush	4
12	394347	(000000-	) Tube Wldt, Lift, Shield	1
13	395118	(000000-	) Bracket, Mtg, Hose	1
14	394358	(000000-	) Plate, Arm, Stop	1
15	394335	(000000-	) Arm Wldt, Lift, Shield, Lh	1
16	396739	(000000-	) Panel, Guard W/ Labels	1
17	32492	(000000-	) Washer, Flt, .38 Std	4
18	39283	(000000-	) Screw, Hex, M10 X 1.5 X 25, 8.8	4
19	394336	(000000-	) Arm Wldt, Lift, Shield, Rh	1
20	395076	(000000-	) Shaft Wldt, Lift	2
21	51534	(000000-	) Pin, Clevis, 0.50 D X 2.00l	2
22	394234	(000000-	) Cable, Lift, Shield	2
23	395827	(000000-	) Pin, Clevis	4
24	08185	(000000-	) Pin, Cotter, .125 X 1.50	8
25	394233	(000000-	) Cable, Lift, Brush	2
26	51462	(000000-	) Clevis, Adj, 0.50pin, .50-13	2
27	01704	(000000-	) Nut, Hex, Jam, .50-13, Ss	6
28	35846	(000000-	) Nut, Hex, Std, .50-13, Left	4
29	74455	(000000-	) Screw, Hex, M06 X 1.0 X 12, Fmg	2
30	396620	(000000-	) Bearing, Flng, 4-hole, 2.00b	2
31	66612	(000000-	) Key, Sq, 0.50 X 2.00l	2

**Fig. 21 - Main Brush Bar and Cam Lock Group**

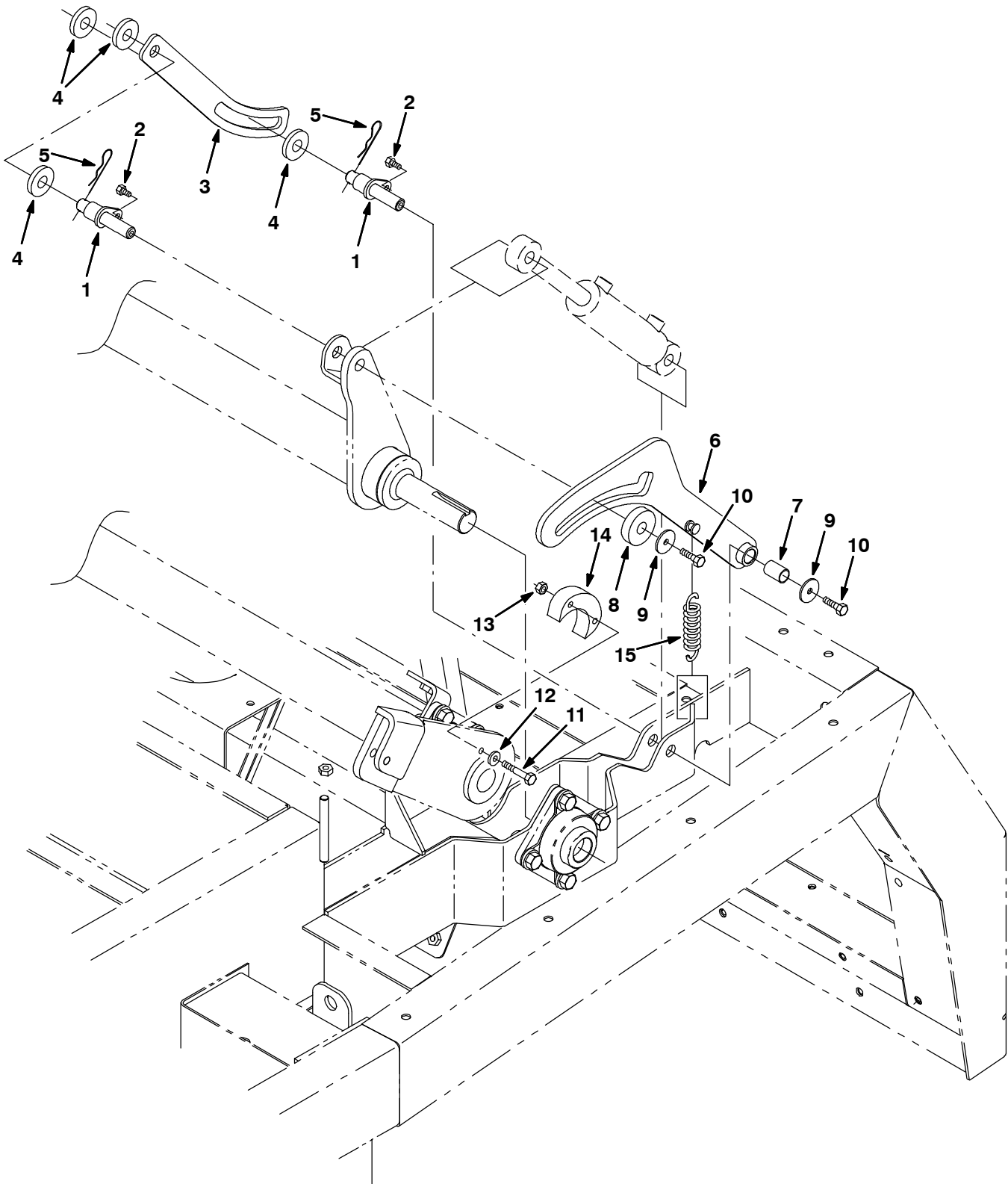


Fig. 21 - Main Brush Bar and Cam Lock Group

Ref.	Tenant Part No.	Machine Serial Number	Description	Qty.
1	395113	(000000-	) Shaft Wldt, Lift	2
2	74455	(000000-	) Screw, Hex, M06 X 1.0 X 12, Fmg	4
3	395084	(000000-	) Bar, Brush	1
4	39350	(000000-	) Washer, Flat, .75 Sae	4
5	55094	(000000-	) Pin, Hair Cotter, 0.75 D .148 Wir	2
6	396501	(000000-	) Plate Wldt, Lock	1
7	76978	(000000-	) Bushing, Sleeve, 0.75b 0.88d 1.25l, Fgl	1
8	396506	(000000-	) Spacer, Lock	1
9	379829	(000000-	) Washer, 0.34b 1.50d .12, Stl, Pl	2
10	16735	(000000-	) Screw, Hex, M08 X 1.25 X 16, 8.8	2
11	39278	(000000-	) Screw, Hex, M08 X 1.25 X 50, 8.8	2
12	32491	(000000-	) Washer, Flat, .31 Std	2
13	39311	(000000-	) Nut, Hex, Std, M08 X 1.25	2
14	396504	(000000-	) Cam, Lock	1
15	54222	(000000-	) Spring, Extn, 1.00od X 0.09wir, 2.8l	1

**Fig. 22 - Main Brush Drive Group**

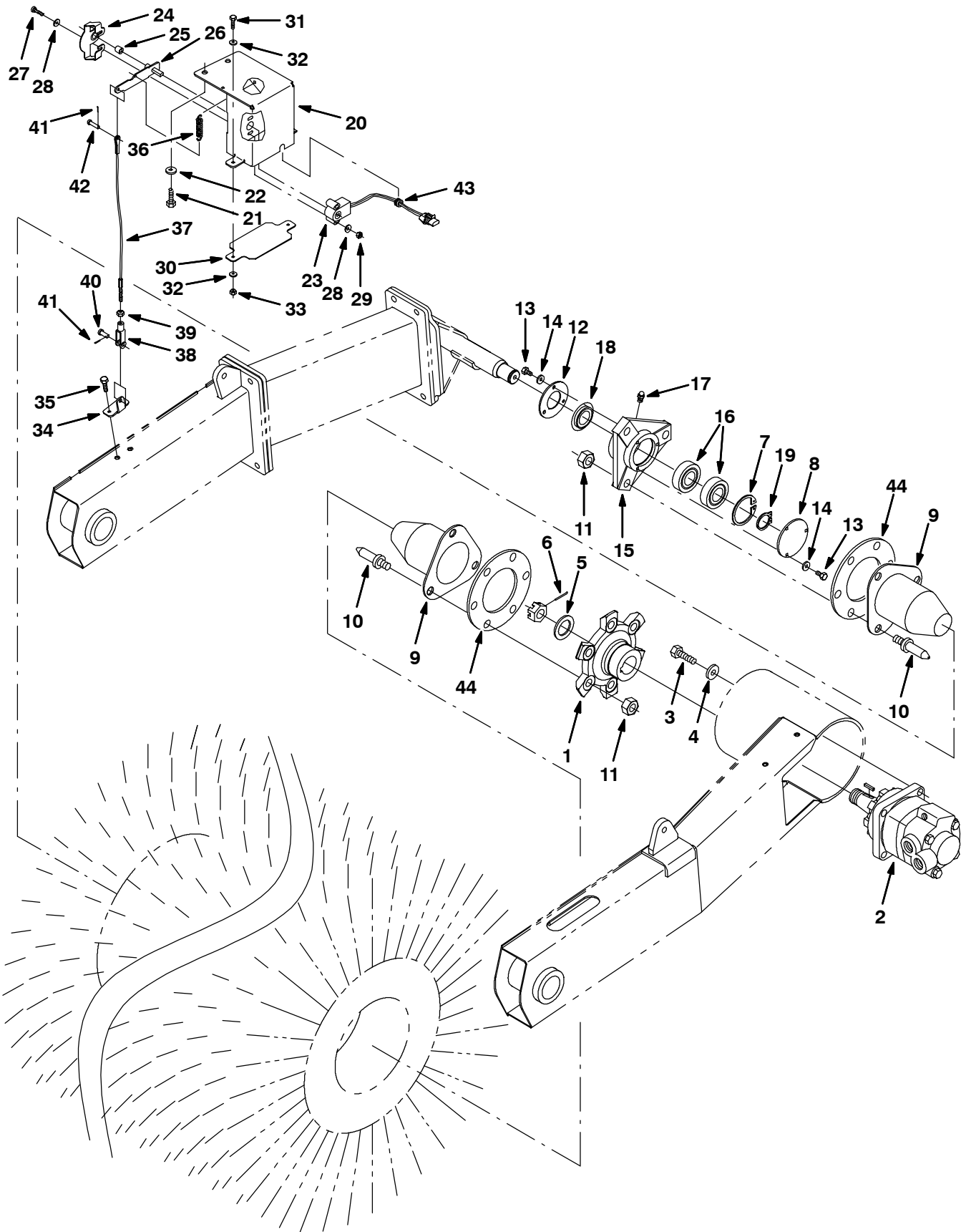




Fig. 22 - Main Brush Drive Group

Ref.	Tennant Part No.	Machine Serial Number	Description	Qty.
1	394200	(000000-	) Plug, Drive	1
2	394432	(000000-	) Motor, Hyd, Gear, [In] 17.1 B 3000 (See Breakdowns)	1
3	39811	(000000-	) Screw, Hex, .50-13 X 1.50, 5	4
4	41619	(000000-	) Washer, Flat, 0.50 Ss	4
5	54051	(000000-	) Washer, 1.39b 2.12d .13, Stl	1
6	08202	(000000-	) Pin, Cotter, .125 X 1.75	1
7	763133	(000000-	) Ring, Retaining, Int, Metric, 62mm	1
8	761130	(000000-	) Plate, Cover, Drive, Brush	1
9	761131	(000000-	) Plug, Guide, Brush	2
10	761128	(000000-	) Pin, Plug, Brush	9
11	33342	(000000-	) Nut, Hex, Lock, M16 X 2.0, NI	9
12	394219	(000000-	) Plate, Idler, Brush	1
13	15678	(000000-	) Screw, Hex, M 6 X 1.0 X 16, Ss	6
14	01684	(000000-	) Washer, Flat, 0.25 Ss	6
15	394235	(000000-	) Plug, Idler, Brush	1
16	360074	(000000-	) Bearing, Ball, 1.18b 2.44d 0.63w	2
17	06418	(000000-	) Fitting, Grease, Str Pm02 .66l	1
18	763134	(000000-	) Seal, Dust, Plug Drive, Brush	1
19	763131	(000000-	) Ring, Retaining, Ext, Metric, 30mm	1
20	395131	(000000-	) Box, Wldt, Arm	1
21	39283	(000000-	) Screw, Hex, M10 X 1.5 X 25, 8.8	2
22	32492	(000000-	) Washer, Flt, .38 Std	2
23	394055	(000000-	) Sensor, Rotation	1
24	396284	(000000-	) Bracket Wldt, Retainer	1
25	44238-5	(000000-	) Bushing, Flng, 0.37b . D 0.50l	1
26	396721	(000000-	) Lever, Arm Wldt	1
27	06939	(000000-	) Screw, Pan, M05 X 0.8 X 45, 4.8	2
28	19066	(000000-	) Washer, Flt, #10	4
29	06549	(000000-	) Nut, Hex, Lock, M05 X 0.8, NI	2
30	395132	(000000-	) Cover	1
31	15678	(000000-	) Screw, Hex, M06 X 1.0 X 16, Ss	2
32	01684	(000000-	) Washer, Flt, .25 Ss	4
33	08712	(000000-	) Nut, Hex, Lock, M06 X 1.0, NI, Ss	2
34	395126	(000000-	) Bracket, Hook	1
35	16931	(000000-	) Screw, Hex, M08 X 1.25 X 20, 8.8	2
36	396683	(000000-	) Spring, Extn, 0.500d X 0.07wir, 3.5l	1
37	395613	(000000-	) Cable, .09d, 18.25l, .18 Fork, .25-28	1
38	14595-1	(000000-	) Clevis, Adj, 0.25pin, .25-28	1
39	01714	(000000-	) Nut, Hex, Std, .25-28	1
40	51727	(000000-	) Pin, Clevis, 0.25 D X 1.00l	1
41	08179	(000000-	) Pin, Cotter, .094 X 1.00	2
42	76782	(000000-	) Pin, Clevis, 0.19 D X 0.75l	1
43	10632-12	(000000-	) Grommet, Rbr, 0.38id, F/ 0.5h, .12matl	1
44	395826	(000000-	) Plate, Broom, Spacer	1

**Fig. 23 - Right Main Brush Arm And Drag Shoe Group**

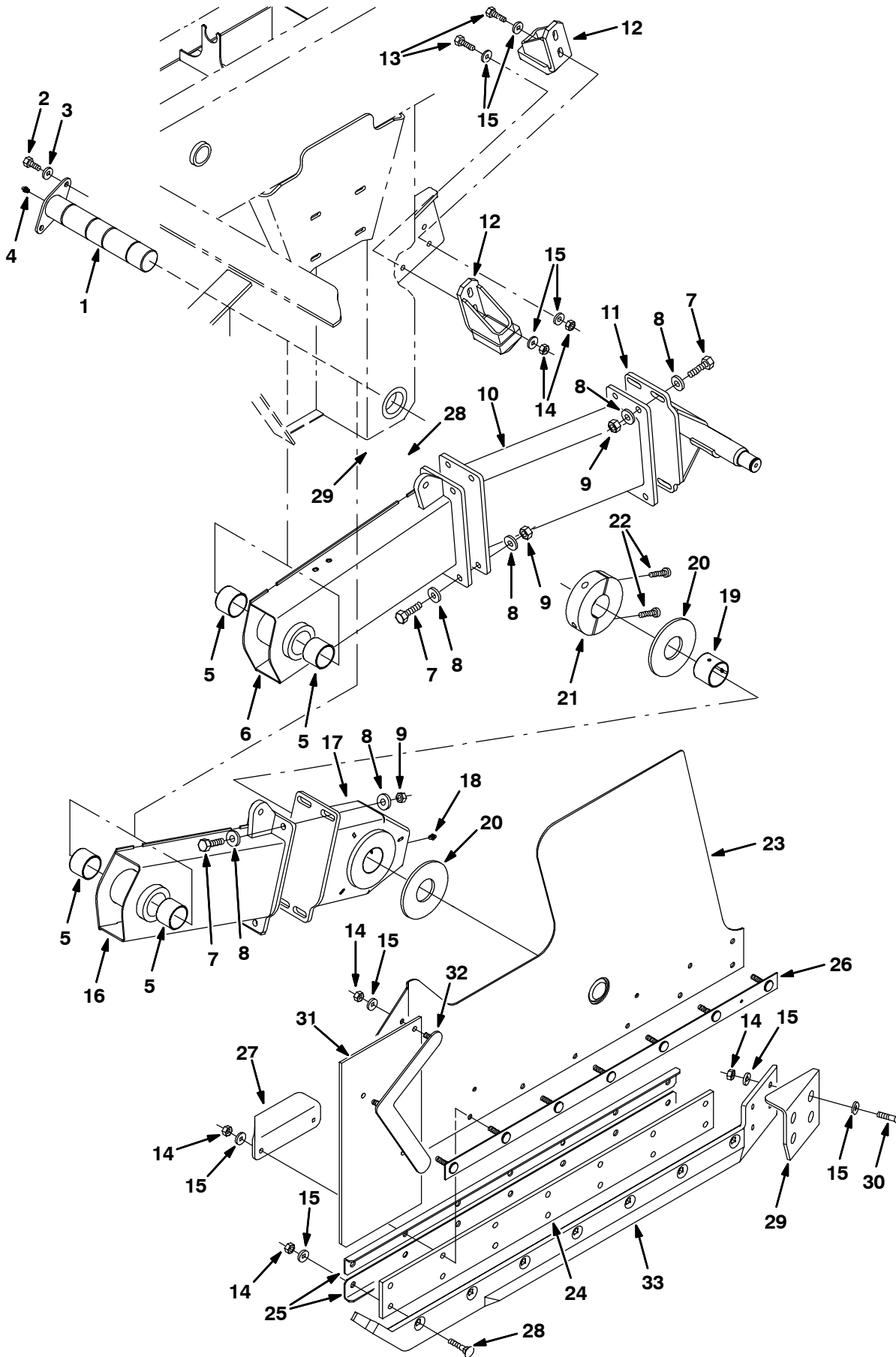


Fig. 23 - Right Main Brush Arm And Drag Shoe Group

Ref.	Tennant Part No.	Machine Serial Number	Description	Qty.
1	394126	(000000-	) Pin Wldt, Linkage, Brush	1
2	09028	(000000-	) Screw, Hex, M10 X 1.5 X 25, Ss	2
3	01686	(000000-	) Washer, Flt, .38 Ss	2
4	06418	(000000-	) Fitting, Grease, Str Pm02 .66l	2
5	394276	(000000-	) Bushing, Sleeve, 1.875b 2.062d 1.5l, Bnz	4
6	394204	(000000-	) Arm Wldt, Upper, Rh	1
7	09029	(000000-	) Screw, Hex, M12 X 1.75 X 40, Ss	12
8	41619	(000000-	) Washer, Flat, 0.50 Ss	20
9	09741	(000000-	) Nut, Hex, Lock, M12 X 1.75, NI, Ss	12
10	396742	(000000-	) Arm Wldt, Lower, Rh W/ Label	1
11	394217	(000000-	) Bracket Wldt	1
12	394317	(000000-	) Bar Wldt, Arm, Stop	2
13	77347	(000000-	) Screw, Hex, M10X1.5X35, Ss	4
14	08714	(000000-	) Nut, Hex, Lock, M10 X 1.5, NI, Ss	25
15	32485	(000000-	) Washer, Flat, .38 Sae	29
16	394262	(000000-	) Arm Wldt, Shield, Inner, Rh	1
17	394237	(000000-	) Arm Wldt, Shield, Lift, Outer, Rh	1
18	07259	(000000-	) Fitting, Grease, Str Pm04 .47l	1
19	395090	(000000-	) Bushing, Sleeve, Rwk	1
20	394273	(000000-	) Washer, Thrust	2
21	394274	(000000-	) Clamp, Shield	1
22	396810	(000000-	) Screw, Soc, M10 X 1.5 X 50, 12.9	2
23	395841	(000000-	) Shield Wldt, Brush, Rh	1
24	1009500	(000000-	) Strip, Shield, Drag	1
25	394280	(000000-	) Strip, Retainer	2
26	394307	(000000-	) Bar, Shoe, Drag	2
27	395815	(000000-	) Bracket, Stop, Shoe, Rh	1
28	394302	(000000-	) Screw, Flt, M10 X 1.5 X 50 [Sq Neck]	7
29	1009588	(000000-	) Plate, Shield, Brush, Rh	1
30	395825	(000000-	) Screw, Flat, M10 X 1.5 X 30, Ss	4
31	395085	(000000-	) Skirt, Broom	1
32	395087	(000000-	) Strip, Retainer, Rh	1
33	1005234	(000000-	) Shoe, Drag, Rh	1

Fig. 24 - Left Main Brush Arm And Drag Shoe Group

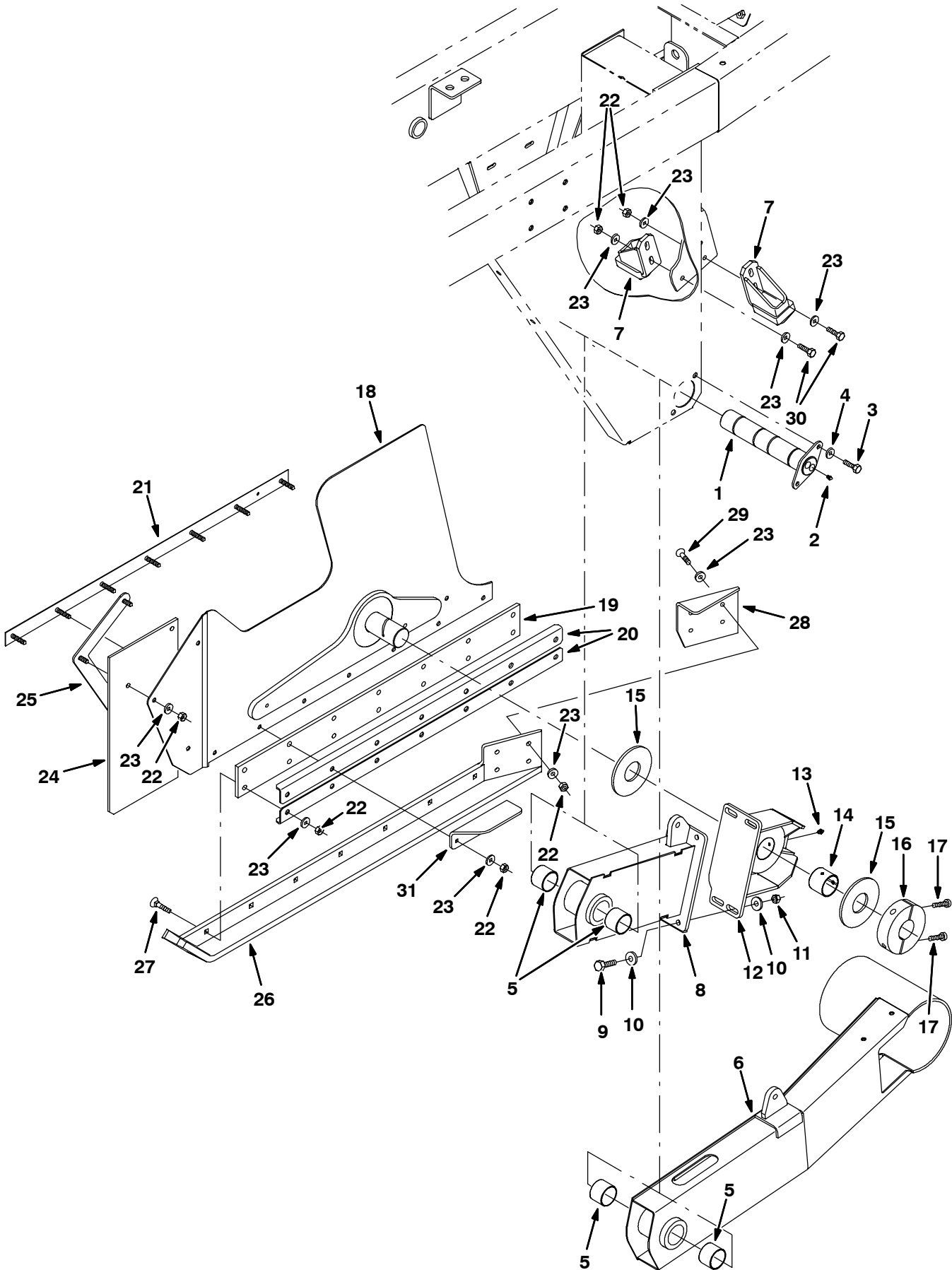


Fig. 24 - Left Main Brush Arm And Drag Shoe Group

Ref.	Tennant Part No.	Machine Serial Number	Description	Qty.
1	394126	(000000-	) Pin Wldt, Linkage, Brush	1
2	06418	(000000-	) Fitting, Grease, Str Pm02 .66l	2
3	09028	(000000-	) Screw, Hex, M10 X 1.5 X 25, Ss	2
4	01686	(000000-	) Washer, Flt, .38 Ss	2
5	394276	(000000-	) Bushing, Sleeve, 1.875b 2.062d 1.5l, Bnz	4
6	396744	(000000-	) Arm Wldt, Lh W/ Label	1
7	394317	(000000-	) Bar Wldt, Arm, Stop	2
8	394260	(000000-	) Arm Wldt, Shield, Inner, Lh	1
9	09029	(000000-	) Screw, Hex, M12 X 1.75 X 40, Ss	4
10	41619	(000000-	) Washer, Flat, 0.50 Ss	8
11	09741	(000000-	) Nut, Hex, Lock, M12 X 1.75,NI, Ss	4
12	394236	(000000-	) Arm Wldt, Shield, Lift, Outer, Lh	1
13	07259	(000000-	) Fitting, Grease, Str Pm04 .47l	1
14	395090	(000000-	) Bushing, Sleeve, Rwk	1
15	394273	(000000-	) Washer, Thrust	2
16	394274	(000000-	) Clamp, Shield	1
17	396810	(000000-	) Screw, Soc, M10 X 1.5 X 50, 12.9	2
18	395839	(000000-	) Shield Wldt, Brush, Lh	1
19	1009500	(000000-	) Strip, Shield, Drag	1
20	394280	(000000-	) Strip, Retainer	1
21	394307	(000000-	) Bar, Shoe, Drag	1
22	08714	(000000-	) Nut, Hex, Lock, M10 X 1.5, NI, Ss	25
23	32485	(000000-	) Washer, Flat, .38 Sae	29
24	395085	(000000-	) Skirt, Broom	1
25	395086	(000000-	) Strip, Retainer, Lh	1
26	1005812	(000000-	) Shoe, Drag, Lh	1
27	394302	(000000-	) Screw, Flt, M10 X 1.5 X 50 [Sq Neck]	7
28	1009584	(000000-	) Plate, Shield, Brush, Lh	1
29	395825	(000000-	) Screw, Flat, M10 X 1.5 X 30, Ss	4
30	77347	(000000-	) Screw, Hex, M10 X 1.5 X 35, Ss	4
31	395814	(000000-	) Bracket, Stop, Shoe, Lh	1

**Fig. 25 - Main Brush Skirts And Shield Group**

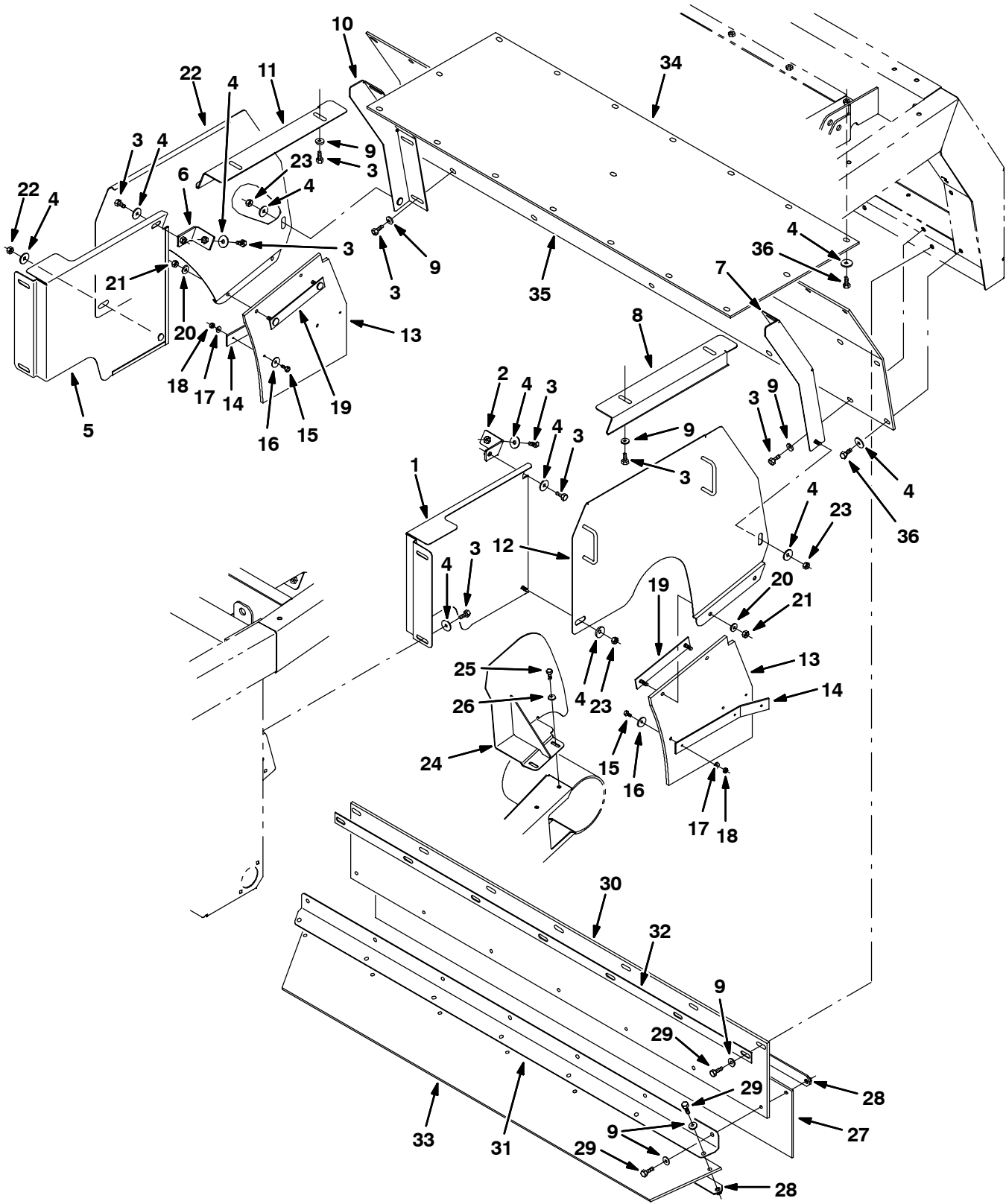


Fig. 25 - Main Brush Skirts And Shield Group

Ref.	Tennant Part No.	Machine Serial Number	Description	Qty.
1	395837	(000000-	) Panel, Lh	1
2	394368	(000000-	) Bracket, Mtg, Lh	1
3	12317	(000000-	) Screw, Hex, M10 X 1.5 X 30, Ss	18
4	395119	(000000-	) Washer, 0.41b 1.38d .12, Stl	42
5	395836	(000000-	) Panel, Rh	1
6	394369	(000000-	) Bracket, Mtg, Rh	1
7	394390	(000000-	) Bracket, Shrd, Lh	1
8	395099	(000000-	) Bracket, Shrd, Top, Lh	1
9	01686	(000000-	) Washer, Flt, .38 Ss	31
10	394391	(000000-	) Bracket, Shrd, Rh	1
11	395098	(000000-	) Bracket, Shrd, Top, Rh	1
12	394385	(000000-	) Panel Wldt, Lh	1
▽	9000108	(000000-	) Kit, Replmt, Skirt, Brush	2
▲	13 1009483	(000000-	) Skirt, Brush	1
▲	14 1009606	(000000-	) Strip, Skirt	1
▲	15 09007	(000000-	) Screw, Hex, M06 X 1.0 X 25, Ss	6
▲	16 41178	(000000-	) Washer, Flat, .25 Fender	6
▲	17 01684	(000000-	) Washer, Flat, 0.25 Ss	6
▲	18 08712	(000000-	) Nut, Hex, Lock, M06 X 1.0, NI, Ss	6
19	395106	(000000-	) Strip, Retainer, Lh	2
20	01686	(000000-	) Washer, Flat, 0.38 Ss	14
21	08714	(000000-	) Nut, Hex, Lock, M10 X 1.5, NI, Ss	14
22	1009896	(000000-	) Panel Wldt, Rh	1
23	08714	(000000-	) Nut, Hex, Lock, M10 X 1.5, NI, Ss	4
24	395816	(000000-	) Cover	1
25	09740	(000000-	) Screw, Hex, M08 X 1.25 X 20, Ss	2
26	01685	(000000-	) Washer, Flt, .31 Ss	2
27	394374	(000000-	) Skirt, Recirculation	1
28	395534	(000000-	) Bar, Skirt	2
29	77347	(000000-	) Screw, Hex, M10 X 1.5 X 35, Ss	21
30	395535	(000000-	) Plate, Hinge, Skirt	1
31	394373	(000000-	) Plate, Recirculation	1
32	395536	(000000-	) Bar, Hinge	1
33	395806	(000000-	) Skirt, Recirculation	1
34	395092	(000000-	) Panel, Plstc	1
35	395091	(000000-	) Panel, Plstc, Lower, Rear	1
36	09028	(000000-	) Screw, Hex, M10 X 1.5 X 25, Ss	30

**Fig. 26 - Right Gutter Broom Motor Group**

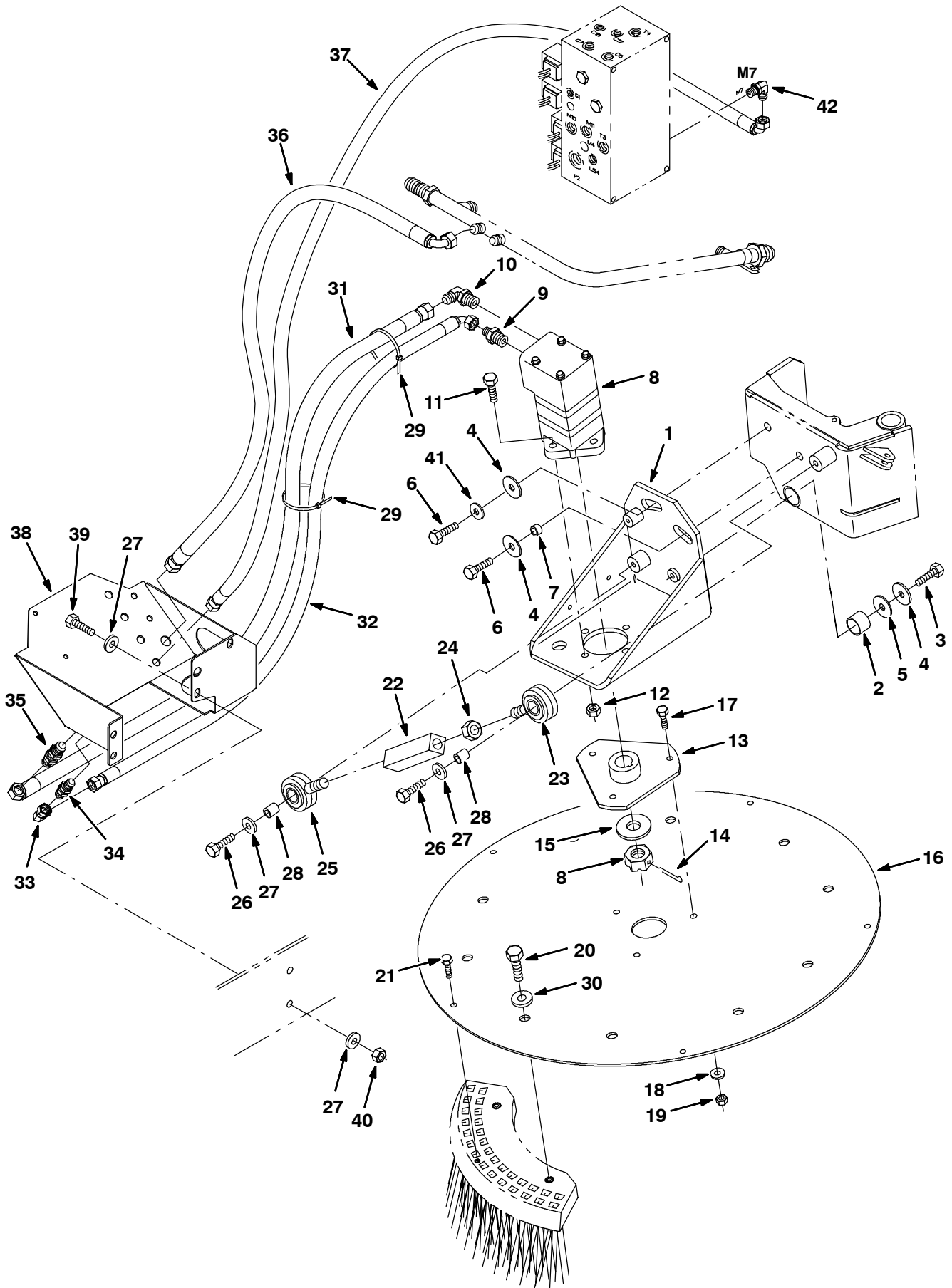




Fig. 26 - Right Gutter Broom Motor Group

Ref.	Tennant Part No.	Machine Serial Number	Description	Qty.
1	394466	(000000-	) Mount Wldt, Motor, Rh	1
2	57936	(000000-	) Bushing, Sleeve, 1.25b 1.41d 1.00l, Tef	1
3	09745	(000000-	) Screw, Hex, M12 X 1.75 X 25, Ss	1
4	04414	(000000-	) Washer, 0.53b 1.88d .12, Stl, Pl	3
5	394628	(000000-	) Washer, 0.50b 1.75d .12, Nyl	1
6	09029	(000000-	) Screw, Hex, M12 X 1.75 X 40, Ss	2
7	395509	(000000-	) Bushing, Sleeve, 0.51b 0.75d .42l	1
8	394433	(000000-	) Motor, Hyd, Gear, [In] 11.9 B 3000 (See Breakdowns)	1
9	47508	(000000-	) Fitting, Hyd, Str, Jm06/Om10	1
10	56821	(000000-	) Fitting, Hyd, E90, Jm08/Om10	1
11	09029	(000000-	) Screw, Hex, M12 X 1.75 X 40, Ss	4
12	09741	(000000-	) Nut, Hex, Lock, M12 X 1.75, NI, Ss	4
13	761428	(000000-	) Hub, Brush	1
14	08202	(000000-	) Pin, Cotter, .125 X 1.75	1
15	32969	(000000-	) Washer, Flat, 1.00 Sae Hard	1
16	396737	(000000-	) Panel Wldt, Brush W/ Labels	1
17	12317	(000000-	) Screw, Hex, M10 X 1.5 X 30, Ss	3
18	01686	(000000-	) Washer, Flt, .38 Ss	3
19	08714	(000000-	) Nut, Hex, Lock, M10 X 1.5, NI, Ss	3
20	48415	(000000-	) Screw, Hex, .62-11 X 1.50, 5	10
21	27988	(000000-	) Screw, Hex, .38-16 X 1.50, 5	5
22	394629	(000000-	) Bar, Sq, Adj	1
23	368336	(000000-	) Rod-End, .75-16rh Mal 0.75b	1
24	35886	(000000-	) Nut, Hex, Jam, .75-16	1
25	394442	(000000-	) Rod-End, .75-16lh Mal 0.75b	1
26	09774	(000000-	) Screw, Hex, M12 X 1.75 X 50, Ss	2
27	32486	(000000-	) Washer, Flt, .50 Sae	6
28	394643	(000000-	) Tube, 0.75d 0.50b 0.844l	2
29	763113	(000000-	) Tie, Cable, 20.0l, 6.00d Max	3
30	15331	(000000-	) Washer, Flt, .62 Sae	10
31	396223	(000000-	) Hose, Hyd, Tc 08, Jf08str /Jf08e90 , 50.0	1
32	386711	(000000-	) Hose, Hyd, Tc 06, Jf Str/E90 , 48.0l	1
33	47504	(000000-	) Fitting, Hyd, E90, Jm06/Jf06	1
34	35904	(000000-	) Fitting, Hyd, Nut, Jm06	1
35	82918	(000000-	) Fitting, Hyd, Str, Jm08/Jm08bkhd	1
36	34366	(000000-	) Hose, Hyd, Med08, Jf08str /Jf08e90 , 23.0	1
37	396205	(000000-001060	) Hose, Hyd, Tc 06, Jm06strb/Jf06e90 ,114.0	1
37	396778	(001061-	) Hose, Hyd, Tc06, Jm06strb/Jf06e90, 118.0	1
38	1010512	(000000-	) Bracket, Hyd, Rh	1
39	394349	(000000-	) Screw, Hex, M12 X 1.75 X 45, 10.9 Pltd	2
40	394326	(000000-	) Nut, Hex, Std, M12 X 1.75, 10	2
41	36328	(000000-	) Washer, Belleville, .50	1
42	56820	(000000-	) Fitting, Hyd, E90, Jm06/Om06	1

Fig. 27 - Right Gutter Broom Lift Group

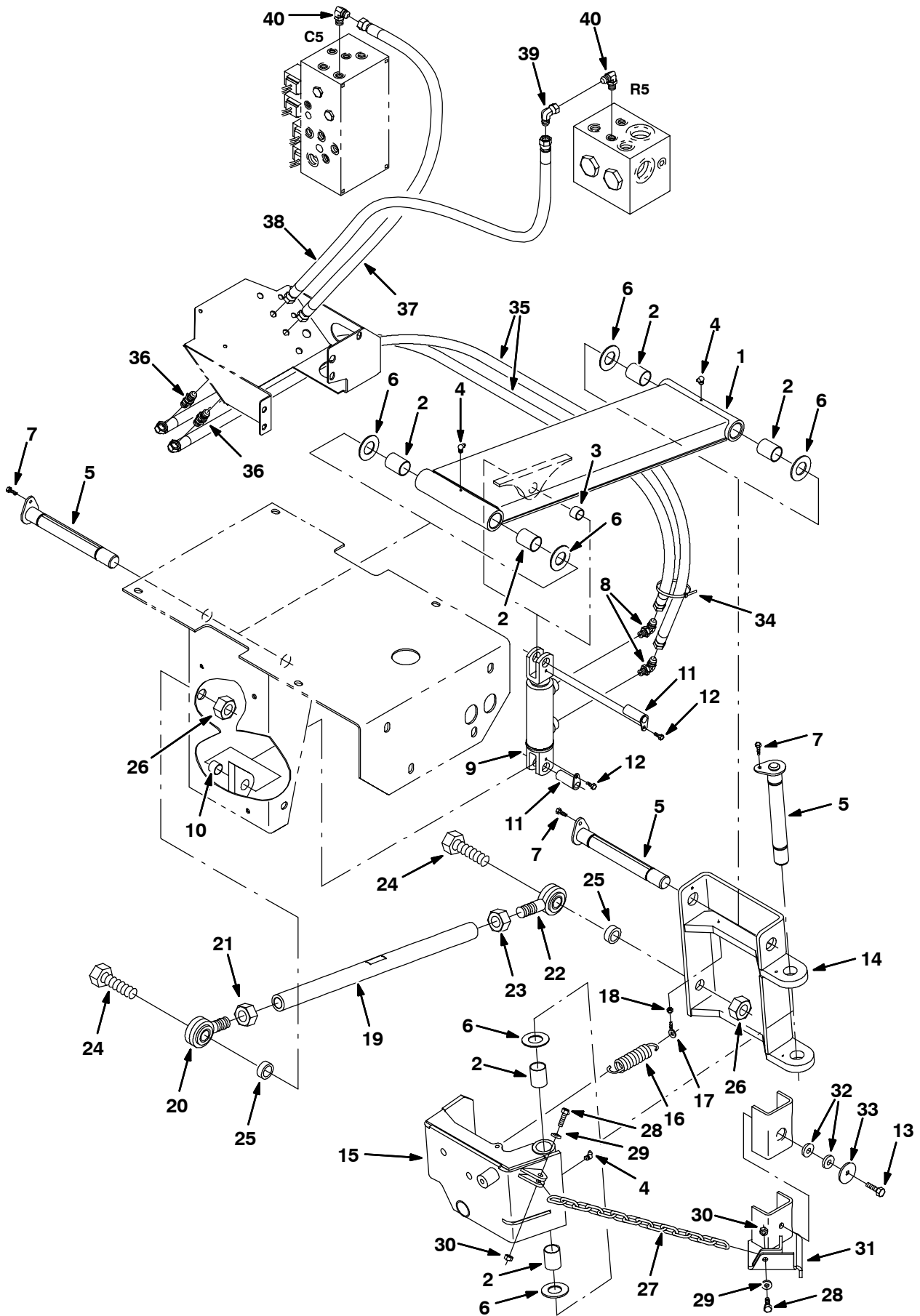


Fig. 27 - Right Gutter Broom Lift Group

Ref.	Tennant Part No.	Machine Serial Number	Description	Qty.
1	394465	(000000-	) Arm Wldt, Lift	1
2	394445	(000000-	) Bearing, Journal	6
3	394681	(000000-	) Bearing, Journal	1
4	11048	(000000-	) Fitting, Grease, E90 Pm02 .84l	3
5	395389	(000000-	) Shaft Wldt	3
6	394446	(000000-	) Bearing, Thrust, 1.25b 2.38d 0.12w	6
7	74455	(000000-	) Screw, Hex, M06 X 1.0 X 12, Fmg	3
8	77098	(000000-	) Fitting, Hyd, E90, Jm06/Om04	2
9	394452	(000000-	) Cylinder, Hyd 2.0b,11.3l,04.00strk,3000	1
10	394681	(000000-	) Bearing, Journal	1
11	1007105	(000000-	) Pin Wldt, Clevis	2
12	11635	(000000-	) Screw, Hex, M6 X 1.0 X 12, Ss, NI	4
13	32731	(000000-	) Screw, Hex, M10 X 1.5 X 50, Ss	1
14	396733	(000000-	) Channel Wldt, Rh W/ Label	1
15	394633	(000000-	) Pivot Wldt, Rh	1
16	394461	(000000-	) Spring, Extn, 1.25od X 0.15wir, 7.0l	2
17	395387	(000000-	) Bolt, Eye, M6x1.0 X 1.5l, .39 Eye	2
18	07785	(000000-	) Nut, Hex, Std, M06 X 1.0 , Ss	2
19	394470	(000000-	) Bar, Adj	1
20	394443	(000000-	) Rod-End, 1.00-14rh Mal 1.00b	1
21	48988	(000000-	) Nut, Hex, Jam, 1.00-14	1
22	394444	(000000-	) Rod-End, 1.00-14lh Mal 1.00b	1
23	395518	(000000-	) Nut, Hex, Jam, 1.00-14, G5, Left	1
24	39912	(000000-	) Screw, Hex, 1.00-08 X 3.50, 5	2
25	1008860	(000000-	) Tube, Spacer, Pltd	2
26	02589	(000000-	) Nut, Hex, Lock, 1.00-08, NI	2
27	394642	(000000-	) Chain	1
28	77347	(000000-	) Screw, Hex, M10 X 1.5 X 35, Ss	2
29	01686	(000000-	) Washer, Flt, .38 Ss	2
30	08714	(000000-	) Nut, Hex, Lock, M10 X 1.5, NI, Ss	2
31	394641	(000000-	) Mount Wldt, Stop, Rh	1
32	32493	(000000-	) Washer, Flt, .50 Std	2
33	58228	(000000-	) Washer, 0.44b 2.00d .12, Stl, PI	1
34	763113	(000000-	) Tie, Cable, 20.0l, 6.00d Max	2
35	396221	(000000-	) Hose, Hyd,Tc 06, Jf06str /Jf06e90 , 40.0	2
36	35904	(000000-	) Fitting, Hyd, Nut, Jm06	2
37	396206	(000000-	) Hose, Hyd,Tc 06, Jm06strb/Jf06str , 103.0	1
38	396238	(000000-	) Hose, Hyd,Med06, Jm06strb/Jf06str , 86.0	1
39	47504	(000000-	) Fitting, Hyd, E90, Jm06/Jf06	1
40	56820	(000000-	) Fitting, Hyd, E90, Jm06/Om06	2

Fig. 28 - Gutter Broom Debris Deflector Group

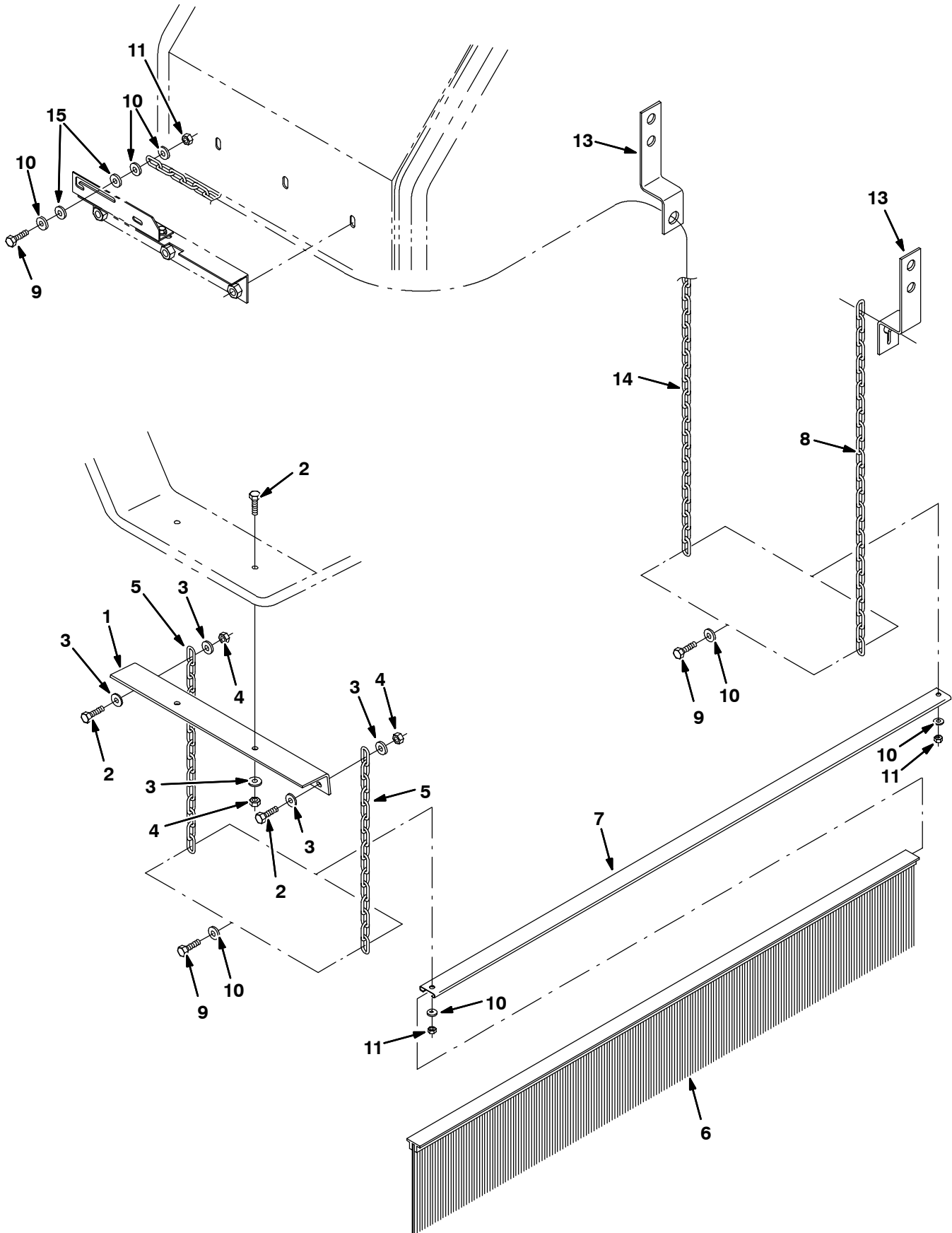


Fig. 28 - Gutter Broom Debris Deflector Group

Ref.	Tennant Part No.	Machine Serial Number	Description	Qty.
1	395329	(000000-	) Bracket, Chain	1
2	12317	(000000-	) Screw, Hex, M10 X 1.5 X 30, Ss	4
3	01686	(000000-	) Washer, Flat, .38 Ss	6
4	08714	(000000-	) Nut, Hex, Lock, M10 X 1.5, NI, Ss	4
5	395342	(000000-	) Chain, Str	2
6	394849	(000000-	) Deflector, Dirt, Brush	1
7	394845	(000000-	) Channel, Brush	1
8	395001	(000000-	) Chain, Str	1
9	09011	(000000-	) Screw, Hex, M08 X 1.25 X 30, Ss	3
10	01685	(000000-	) Washer, Flat, .31 Ss	7
11	08713	(000000-	) Nut, Hex, Lock, M08 X 1.25, NI, Ss	3
12	394829	(000000-	) Plate, Mtg, Rear	1
13	396652	(000000-	) Plate, Mtg, Rear, Rh	1
14	396653	(000000-	) Chain, Str	1
15	43454	(000000-	) Washer, 0.34b 0.69d .06, Nyl	2



Fig. 29 - Hopper Group

Ref.	Tennant Part No.	Machine Serial Number	Description	Qty.
1	9000230	(000000-	) Hopper, Main, W/ Label	1
2	395328	(000000-	) Door, Access, White	1
3	395191	(000000-	) Door, Hppr, White	1
4	09010	(000000-	) Screw, Hex, M08 X 1.25 X 25, Ss	17
5	32491	(000000-	) Washer, Flt, .31 Std	44
6	395366	(000000-	) Seal, Rbr, Clsd Cell	1
7	394957	(000000-	) Latch, Door, Access	1
8	41732	(000000-	) Rivet, Blind, .188d X 0.45 X .38d, Stl	4
9	08708	(000000-	) Nut, Hex, Lock, M06 X 1.0, NI	3
10	32490	(000000-	) Washer, Flt, .25 Std	8
11	29584	(000000-	) Pin, Clevis, 0.37 D X 2.00l	2
12	39349	(000000-	) Washer, Flt, .31 Sae	4
13	08179	(000000-	) Pin, Cotter, .094 X 1.00	2
14	69225	(000000-	) Screw, Hex, .38-16 X 1.00, Ss	2
15	395365	(000000-	) Seal, Rbr, Clsd Cell	2
16	395634	(000000-	) Seal, Hppr, Top	1
17	395635	(000000-	) Plate, Retainer, Hppr	1
18	76570	(000000-	) Screw, Hex, M08 X 1.25 X 30, 8.8	5
19	395641	(000000-	) Seal, Hppr, Side	2
20	395642	(000000-	) Retainer, Hppr, Side	2
21	39277	(000000-	) Screw, Hex, M08 X 1.25 X 25, 8.8	15
22	08713	(000000-	) Nut, Hex, Lock, M08 X 1.25, NI, Ss	3
23	395160	(000000-	) Pane, Wndw	2
24	395164	(000000-	) Seal, Wndw, Frame	2
25	395954	(000000-	) Bracket Wldt, Wndw, Frame	2
26	78939	(000000-	) Screw, Hex, M06 X 1.0 X 25, Ss, NI	16
27	01684	(000000-	) Washer, Flt, .25 Ss	16
28	396907	(000000-	) Seal, Hppr Door	1
29	396908	(000000-	) Seal, Hppr Door	1
30	395959	(000000-	) Seal, Door, Chute	1
31	395952	(000000-	) Plate, Seal, Sppt	1
32	09007	(000000-	) Screw, Hex, M06 X 1.0 X 25, Ss	5
33	396584	(000000-	) Plate, Deflector	1
34	364889	(000000-	) Washer, 0.33b .75d .18, Stl, PI	6

Fig. 30 - Hopper Base Group

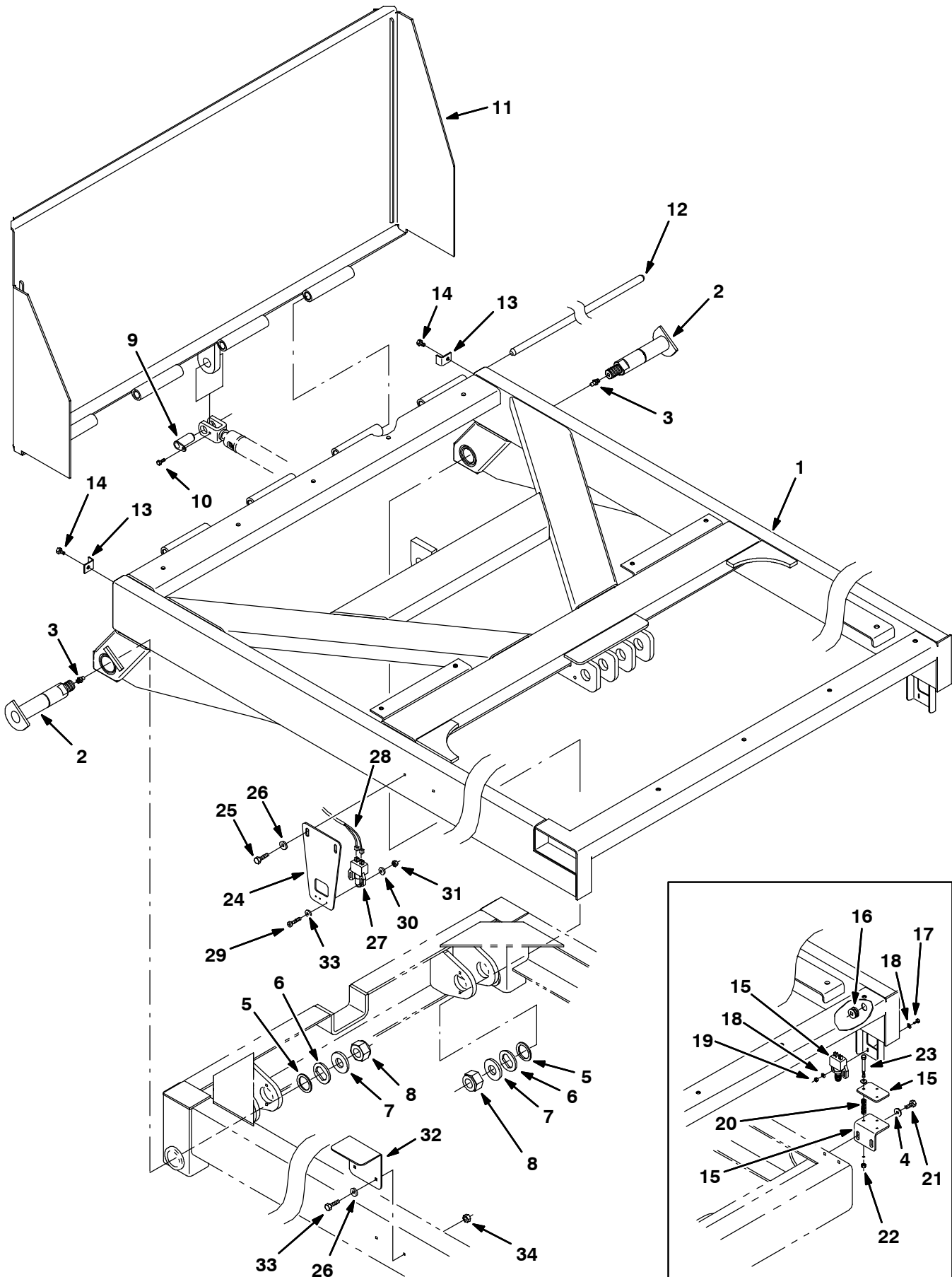




Fig. 30 - Hopper Base Group

Ref.	Tennant Part No.	Machine Serial Number	Description	Qty.
1	395601	(000000-	) Hopper Wldt, Base	1
2	396687	(000000-	) Pin Wldt	2
3	06418	(000000-	) Fitting, Grease, Str Pm02 .66l	2
4	32491	(000000-001294	) Washer, Flt, .31 Std	2
5	396588	(000000-	) Bearing, Thrust	2
6	396589	(000000-	) Plate, Pin	2
7	396592	(000000-	) Plate, Spacer	2
8	02589	(000000-	) Nut, Hex, Lock, 1.00-08, NI	2
9	1007105	(000000-	) Pin Wldt, Clevis	1
10	11635	(000000-	) Screw, Hex, M6 X 1.0 X 12, Ss, NI	1
11	395192	(000000-	) Door, Chute, Hppr, White	1
12	395669	(000000-	) Rod	1
13	395670	(000000-	) Angle, Retainer	2
14	361339	(000000-	) Screw, Hex, M06 X 1.0 X 16, Fmg	2
15	9000192	(000000-001294	) Kit, Modif, Switch, Down, Hppr	1
16	87515	(000000-001294	) Grommet, Rbr, 0.50id, F/ 0.8h, .25matl	1
17	09228	(000000-001294	) Screw, Hex, M04 X 0.7 X 20, 8.8	2
18	19064	(000000-001294	) Washer, Flt, #06	4
19	02850	(000000-001294	) Nut, Hex, Lock, M04 X 0.7, NI	2
20	80448	(000000-001294	) Spring, Cmpr, 0.42od .04wir 1.5l	3
21	39277	(000000-001294	) Screw, Hex, M08 X 1.25 X 25, 8.8	2
22	08712	(000000-001294	) Nut, Hex, Lock, M 6 X 1.0, NI, Ss	3
23	06548	(000000-001294	) Screw, Hex, M 6 X 1.0 X 60, 8.8	3
24	1010216	(001295-	) Plate, Switch, Mtg	1
25	76099	(001295-	) Screw, Hex, M 8 X 1.25 X 25, Fmg	2
26	32491	(001295-	) Washer, Flat, 0.31 Std	4
27	1010398	(001295-	) Switch	1
28	1010576	(001295-	) Harness, Switch, Down, Hppr, [Centurion]	1
29	06929	(001295-	) Screw, Pan, M4 X 0.7 X 25, 4.8	2
30	19064	(001295-	) Washer, Flat, #06	4
31	02850	(001295-	) Nut, Hex, Lock, M 4 X 0.7, NI	2
32	1010208	(001295-	) Bracket, Switch, Stop	1
33	39277	(001295-	) Screw, Hex, M8 X 1.25 X 25, 8.8	2
34	07791	(001295-	) Nut, Hex, Flng, M8 X 1.25	2

**Fig. 31 - Hopper Vacuum Fan Group**

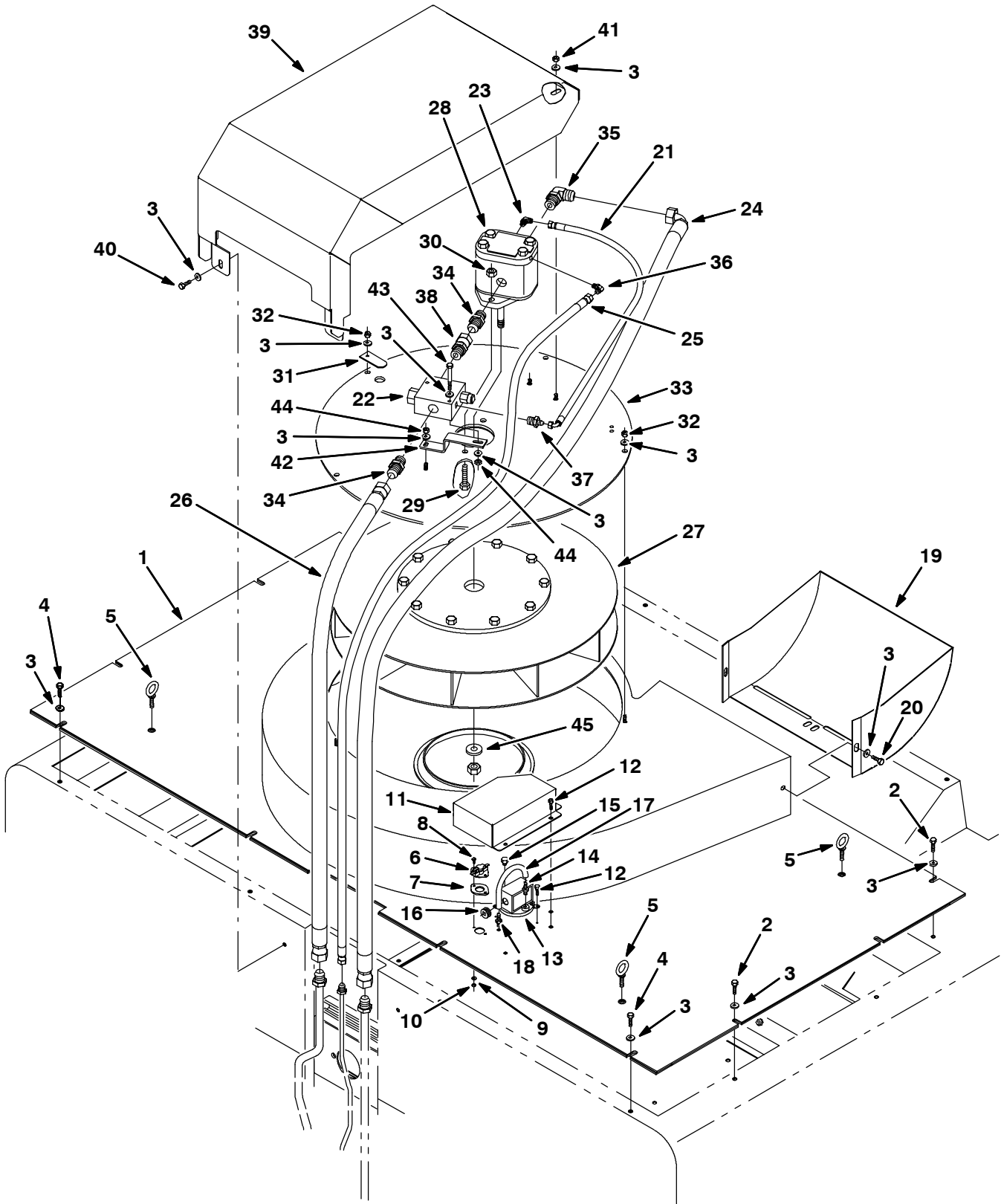


Fig. 31 - Hopper Vacuum Fan Group

Ref.	Tennant Part No.	Machine Serial Number	Description	Qty.
1	394674	(000000-	) Cover Wldt, Hppr	1
2	09010	(000000-	) Screw, Hex, M08 X 1.25 X 25, Ss	8
3	32491	(000000-	) Washer, Flt, .31 Std	28
4	69225	(000000-	) Screw, Hex, .38-16 X 1.00, Ss	2
5	42173-1	(000000-	) Bolt, Eye, .38-16 X 2.41 X 1.00 Eye	4
6	367679	(000000-	) Switch, Thermostat	1
7	82733	(000000-	) Gasket, Switch, Fire	1
8	55845	(000000-	) Screw, Hex, M 5 X 0.8 X 16, Fmg	2
9	19064	(000000-	) Washer, Flt, #06	2
10	02850	(000000-	) Nut, Hex, Lock, M04 X 0.7, NI	2
11	395778	(000000-	) Cover, Switch	1
12	74455	(000000-	) Screw, Hex, M06 X 1.0 X 12, Fmg	5
13	75465	(000000-	) Switch	1
14	40607	(000000-	) Fitting, Brs, Str, Pm02/Bm03	1
15	82739	(000000-	) Fitting, Brs, Breather 02mp	1
16	10632-4	(000000-	) Grommet, Rbr, 0.62id, F/ 0.9h, .06matl	1
17	396406	(000000-	) Hose, Vacuum	1
18	39923	(000000-	) Fitting, Brs, Str, Bm04/Bm04 Bkhd	1
19	396353	(000000-	) Plate Wldt, Deflector, Air	1
20	39277	(000000-	) Screw, Hex, M08 X 1.25 X 25, 8.8	2
21	381868	(000000-	) Hose, Hyd,Tc 04, Jf04str /Jf04e90 , 15.0	1
22	396403	(000000-	) Valve, Hyd, Brake	1
23	77097	(000000-	) Fitting, Hyd, E90, Jm04/Om04	1
24	396438	(000000-	) Hose, Hyd,Tc 12, Jf12str /Jf12e90 , 44.0	1
25	49943	(000000-	) Hose, Hyd,Med06, Jf06str /Jf06str , 36.0	1
26	396251	(000000-	) Hose, Hyd,Tc 12, Jf12str /Jf12str , 35.0	1
27	394051	(000000-	) Impeller, Vacfan	1
28	394427	(000000-	) Motor, Hyd Gear Ex 2.01 B 4000	1
29	06969	(000000-	) Screw, Hex, M12 X 1.75 X 40, 8.8	2
30	08711	(000000-	) Nut, Hex, Lock, M12 X 1.75,NI	2
31	396407	(000000-	) Plate, Cover	1
32	08713	(000000-	) Nut, Hex, Lock, M08 X 1.25,NI, Ss	5
33	395589	(000000-	) Plate Wldt, Motor, Mount	1
34	42260	(000000-	) Fitting, Hyd, Str, Jm12/Om12	2
35	46481	(000000-	) Fitting, Hyd, E90, Jm12/Om12	1
36	77098	(000000-	) Fitting, Hyd, E90, Jm06/Om04	1
37	55685	(000000-	) Fitting, Hyd, Str, Jm04/Om06	1
38	67832	(000000-	) Fitting, Hyd, Str, Jf12/Om12	1
39	396417	(000000-	) Cover, Guard, Fan	1
40	16931	(000000-	) Screw, Hex, M08 X 1.25 X 20, 8.8	2
41	39311	(000000-	) Nut, Hex, Std, M08 X 1.25	2
42	396419	(000000-	) Bracket, Sppt	1
43	39279	(000000-	) Screw, Hex, M08 X 1.25 X 70, 8.8	1
44	08709	(000000-	) Nut, Hex, Lock, M08 X 1.25,NI	2
45	15331	(000000-	) Washer, Flt, .62 Sae	1

Fig. 32 - Hopper Full Sensor Group

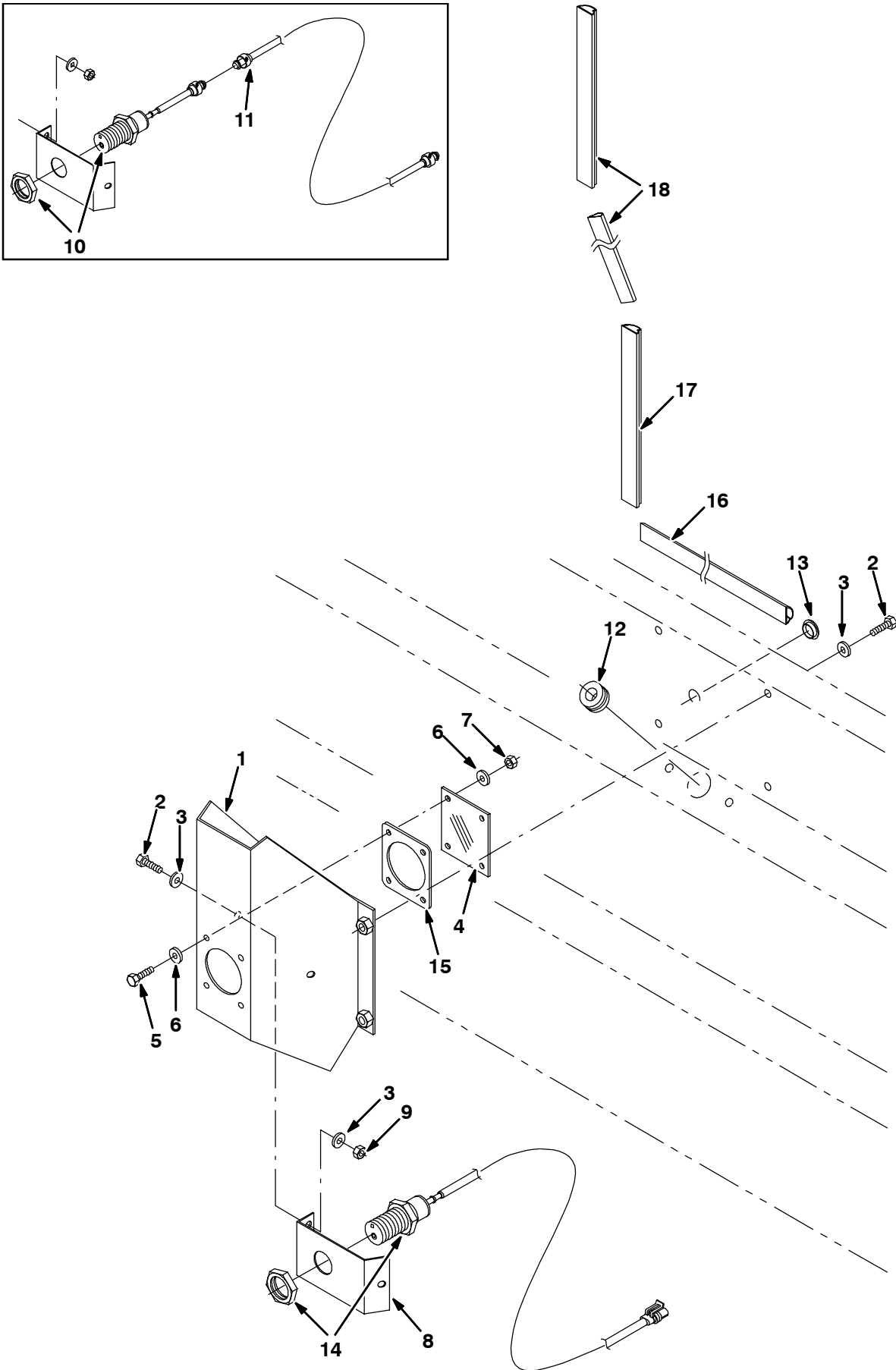


Fig. 32 - Hopper Full Sensor Group

Ref.	Tennant Part No.	Machine Serial Number	Description	Qty.
1	396630	(000000-	) Housing, Component	1
2	09740	(000000-	) Screw, Hex, M 8 X 1.25 X 20, Ss	9
3	01685	(000000-	) Washer, Flat, 0.31 Ss	12
4	396633	(000000-	) Plate, Window	1
5	08716	(000000-	) Screw, Hex, M 6 X 1.0 X 20, Ss	4
6	01684	(000000-	) Washer, Flat, 0.25 Ss	8
7	08712	(000000-	) Nut, Hex, Lock, M 6 X 1.0, NI, Ss	4
8	396631	(000000-	) Bracket, Mtg, Sensor	1
9	08713	(000000-	) Nut, Hex, Lock, M 8 X 1.25, NI, Ss	3
10	396672	(000000-001057	) Sensor, Capacitive, 10mm Range	1
11	396673	(000000-001057	) Harness, Extn, Sensor	1
12	10632-4	(000000-001057	) Grommet, Rbr, 0.62id, F/ 0.9h, .06matl	1
12	81697	(001058-	) Grommet, Rbr, 0.50id, F/ 1.3h, .06matl	1
13	75428	(000000-	) Button, Plug, 0.75h .03-.12 [Black Nyl]	1
14	396781	(001058-	) Sensor, Capacitive, 10mm Range [M/P]	1
15	396770	(000000-	) Seal, Window	1
16	396821	(000000-	) Duct, Vyl	1
17	86330	(000000-	) Duct, Vyl, 0.40 X 0.75 .25d 10.0l	1
18	396820	(000000-	) Duct, Vyl	2

**Fig. 33 - Hopper Filter Bag Group**

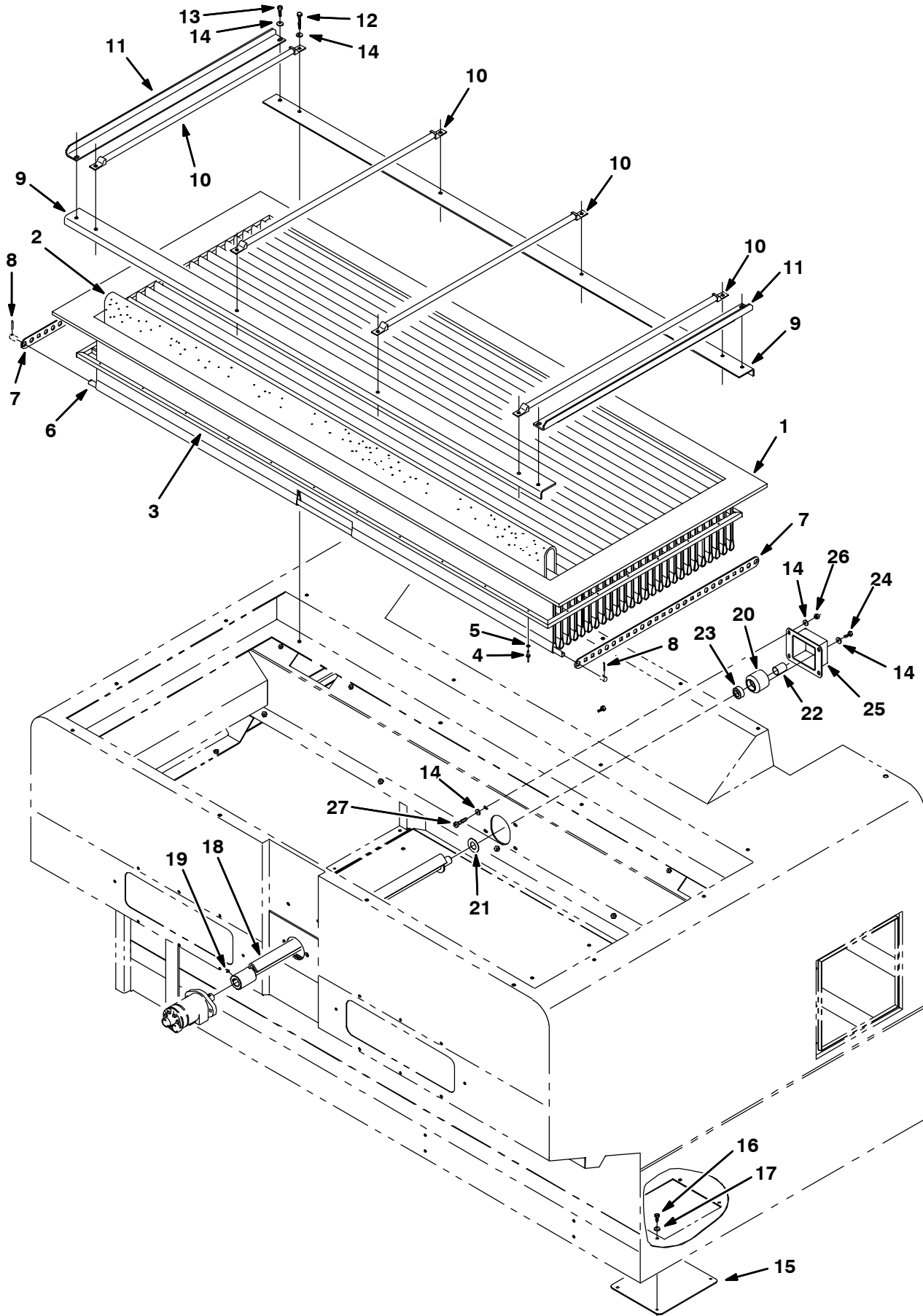


Fig. 33 - Hopper Filter Bag Group

Ref.	Tennant Part No.	Machine Serial Number	Description	Qty.
1	394831	(000000-	) Filter, Bag	1
2	394688	(000000-	) Filter, Dust, Bag, Separator	13
3	394614	(000000-	) Frame Wldt, Filter Bag	1
4	763075	(000000-	) Rivet, Blind, .156d X 0.71 X .31d	34
5	19065	(000000-	) Washer, Flt, #08	34
6	394615	(000000-	) Tube, Rnd	26
7	394948	(000000-	) Plate, Retainer	2
8	08236	(000000-	) Pin, Cotter, .156 X 1.25	52
9	394665	(000000-	) Bracket, Retainer	2
10	394666	(000000-	) Bar, Retainer	4
11	395610	(000000-	) Angle Wldt, Sppt	2
12	06957	(000000-	) Screw, Hex, M08 X 1.25 X 60, 8.8	8
13	76570	(000000-	) Screw, Hex, M08 X 1.25 X 30, 8.8	4
14	32491	(000000-	) Washer, Flt, .31 Std	24
15	395335	(000000-	) Plate, Cover	1
16	08716	(000000-	) Screw, Hex, M06 X 1.0 X 20, Ss	4
17	32490	(000000-	) Washer, Flt, .25 Std	4
18	394609	(000000-	) Bar Wldt, Beater	1
19	70650	(000000-	) Screw, Set, M08 X 1.25 X 12, Soc	1
20	760543	(000000-	) Tube, Mach, Support, Rear	1
21	58677	(000000-	) Bearing, Thrust, 1.03b 2.00d 0.06w	1
22	763278	(000000-	) Bearing	1
23	763244	(000000-	) Seal	2
24	16931	(000000-	) Screw, Hex, M08 X 1.25 X 20, 8.8	4
25	395887	(000000-	) Panel, Cap	1
26	08709	(000000-	) Nut, Hex, Lock, M08 X 1.25, NI	4
27	223470	(000000-	) Screw, Btn, M 8 X 1.25 X 25, Ss	4

Fig. 34 - Upper Hopper Lift Group

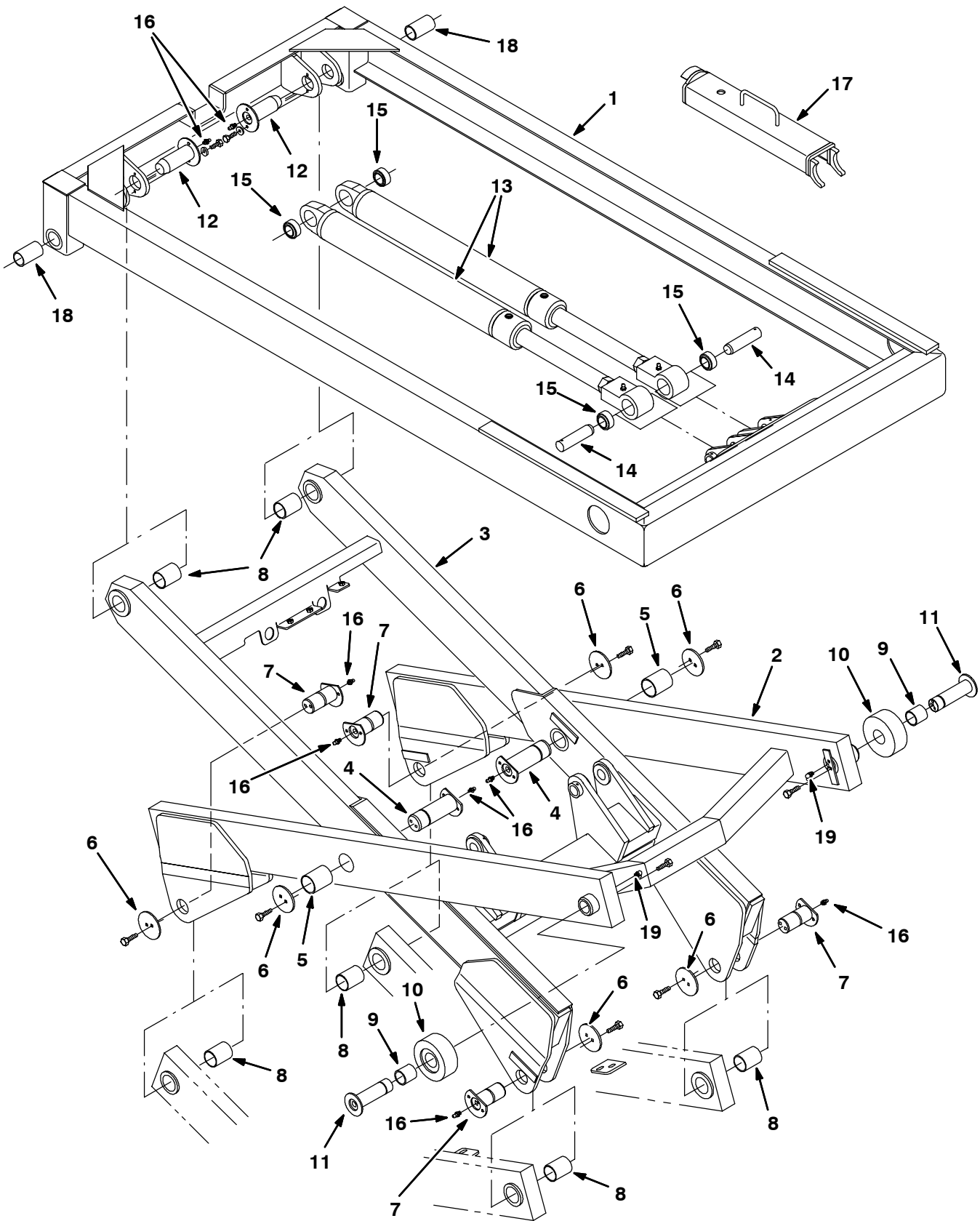




Fig. 34 - Upper Hopper Lift Group

Ref.	Tennant Part No.	Machine Serial Number	Description	Qty.
1	396788	(000000-	) Frame, Lift, Upper W/ Labels	1
2	394853	(000000-	) Leg Assy, Upper Outside	1
3	394854	(000000-	) Leg Assy, Upper Inside	1
4	395724	(000000-	) Pin Assy, Leg, Upper	2
5	1007793	(000000-	) Bushing, Brnz, 2.00b, 2.25d, 2.75l	4
6	1005723	(000000-	) Cap, Pin	6
7	395723	(000000-	) Pin Assy, Leg, End	4
8	395719	(000000-	) Bushing, Brs, 1.75b, 2.00d, 2.50l	6
9	395718	(000000-	) Bushing, Brs, 1.50b, 1.75d, 1.75l	2
10	395721	(000000-	) Roller, 5.0d	2
11	395722	(000000-	) Pin Assy, Roller	2
12	395726	(000000-	) Pin Assy, Leg, Frame	2
13	394869	(000000-	) Cylinder, Hyd, 3.5b, . L,30.4strk,3000	2
14	395729	(000000-	) Pin Assy, Tilt Cyl, Rod End	2
15	395716	(000000-	) Bearing, Spherical, 1.25b	4
16	47801	(000000-	) Fitting, Grease, Str Pm04 .63l	8
17	1005840	(000000-	) Tilt Wldt, Stand	1
18	396596	(000000-	) Bushing	2
19	11048	(000000-	) Fitting, Grease, E90 Pm02 .84l	2

Fig. 35 - Lower Hopper Lift Group

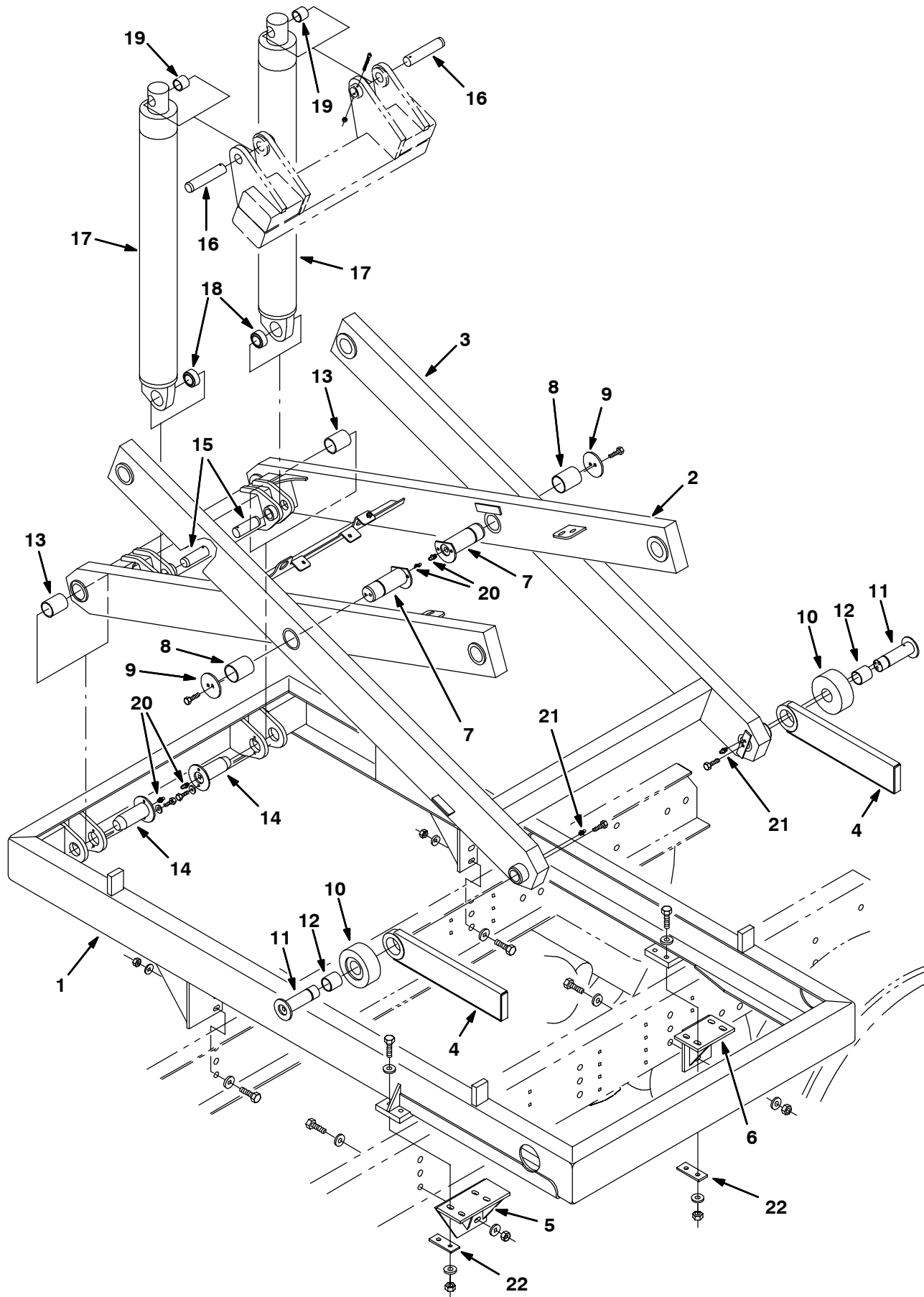


Fig. 35 - Lower Hopper Lift Group

Ref.	Tennant Part No.	Machine Serial Number	Description	Qty.
1	396787	(000000-	) Frame, Lift, Lower W/ Labels	1
2	394851	(000000-	) Leg Assy, Bottom Inside	1
3	394852	(000000-	) Leg Assy, Bottom Outside	1
4	395714	(000000-	) Support Wldt, Safety, Front	2
5	1005922	(000000-	) Mount Wldt, Frame, Front, Lh	1
6	1005877	(000000-	) Frame Wldt, Mount, Rear, Lh	1
7	395725	(000000-	) Pin Assy, Leg, Lower	2
8	395720	(000000-	) Bushing, Brs, 2.00b, 2.25d, 2.75l	2
9	1005723	(000000-	) Cap, Pin	2
10	395721	(000000-	) Roller, 5.0d	2
11	395722	(000000-	) Pin Assy, Roller	2
12	395718	(000000-	) Bushing, Brs, 1.50b, 1.75d, 1.75l	2
13	395719	(000000-	) Bushing, Brs, 1.75b, 2.00d, 2.50l	2
14	395726	(000000-	) Pin Assy, Leg, Frame	2
15	395727	(000000-	) Pin Assy, Lift Cyl, Bottom	2
16	395728	(000000-	) Pin Assy, Lift Cyl, Rod End	2
17	394855	(000000-	) Cylinder, Hyd, 4.0b, . L,34.2strk,3000	2
18	395716	(000000-	) Bearing, Spherical, 1.25b	2
19	395717	(000000-	) Bushing, Oib, 1.25b, 1.50d, 1.25l	2
20	47801	(000000-	) Fitting, Grease, Str Pm04 .63l	4
21	06418	(000000-	) Fitting, Grease, Str Pm02 .66l	2
22	1008487	(000000-	) Plate, Backing	4

**Fig. 36 - Water Tank Group**

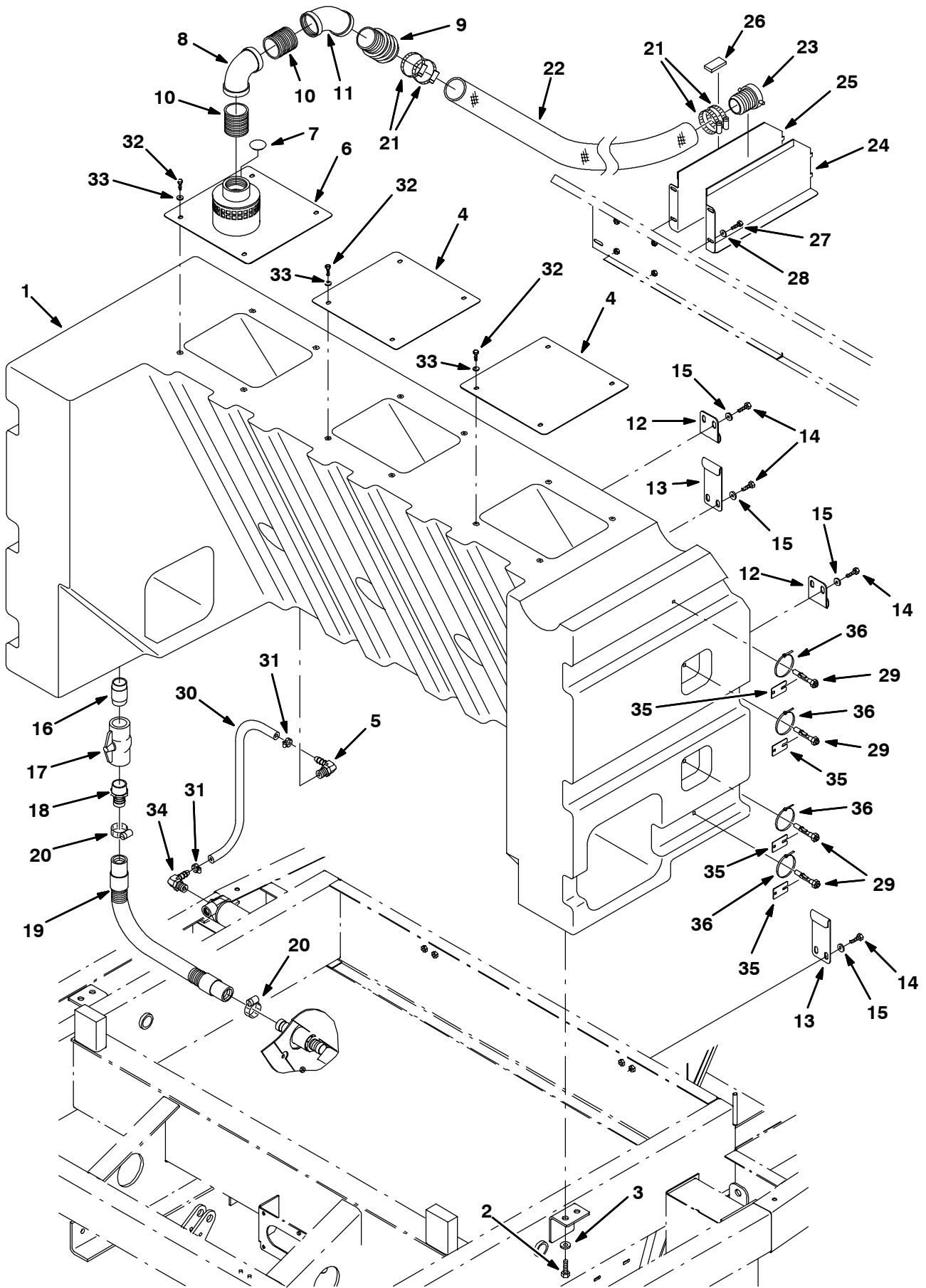


Fig. 36 - Water Tank Group

Ref.	Tennant Part No.	Machine Serial Number	Description	Qty.
1	394300	(000000-	) Tank, Water	1
2	09745	(000000-	) Screw, Hex, M12 X 1.75 X 25, Ss	8
3	41619	(000000-	) Washer, Flt, .50 Ss	8
4	394720	(000000-	) Cover, Water Tank	2
5	223497	(000000-	) Fitting, Plstc, E90, Bm12/Pm16	1
6	396360	(000000-	) Cover Wldt, Water Tank	1
7	47178-18	(000000-	) Button, Plug, 1.38h .11-.14 [Chrome Stl]	1
8	396478	(000000-	) Fitting, Plstc, E90, Pf40/Pf40	1
9	396480	(000000-	) Fitting, Plstc, Str, Bm40/Pm40	1
10	396477	(000000-	) Fitting, Plstc, Nipple, Close, Pm40	2
11	396479	(000000-	) Fitting, Plstc, E45, Pf40/Pf40	1
12	394727	(000000-	) Bracket, Latch, Top	2
13	394728	(000000-	) Bracket, Latch	2
14	09770	(000000-	) Screw, Hex, M10 X 1.5 X 25, Ss, NI	8
15	395119	(000000-	) Washer, 0.41b 1.38d .12, Stl	8
16	394990	(000000-	) Fitting, Plstc, Str, Pm24/Pm24 . L	1
17	395632	(000000-	) Valve, Ball, Pf24/Pf24, Pvc	1
18	394992	(000000-	) Fitting, Plstc, Str, Bm24/Pm24	1
19	394998	(000000-	) Hose, Water	1
20	22297	(000000-	) Clamp, Hose, Wormdrive, 1.56-2.50d	2
21	14432	(000000-	) Clamp, Hose, Wormdrive, 1.81-2.75d	4
22	1010196	(000000-	) Hose, Water, 240.0l	2
23	395779	(000000-	) Coupling, Hose, Fire	1
24	395780	(000000-	) Plate, Hose, Lh	1
25	395782	(000000-	) Plate Wldt, Hose	1
26	396429	(000000-	) Isolator, Wrench, Rbr	1
27	16931	(000000-	) Screw, Hex, M08 X 1.25 X 20, 8.8	4
28	32491	(000000-	) Washer, Flt, .31 Std	4
29	394999	(000000-	) Switch, Water, Level	4
30	387340	(000000-	) Hose, Pvc, Brd, 0.75id 1.03od 14.00l	1
31	63810	(000000-	) Clamp, Hose, Wormdrive, 0.56-1.06d	2
32	15675	(000000-	) Screw, Hex, M08 X 1.25 X 16, Ss	12
33	01685	(000000-	) Washer, Flt, .31 Ss	12
34	14877	(000000-	) Fitting, Plstc, E90, Bm12/Pm12	1
35	396602	(000000-	) Plate, Cable Connector, Sppt	4
36	763114	(000000-	) Tie, Cable, 11.3l, 2.75d Max	4

**Fig. 37 - Water Pump Group**

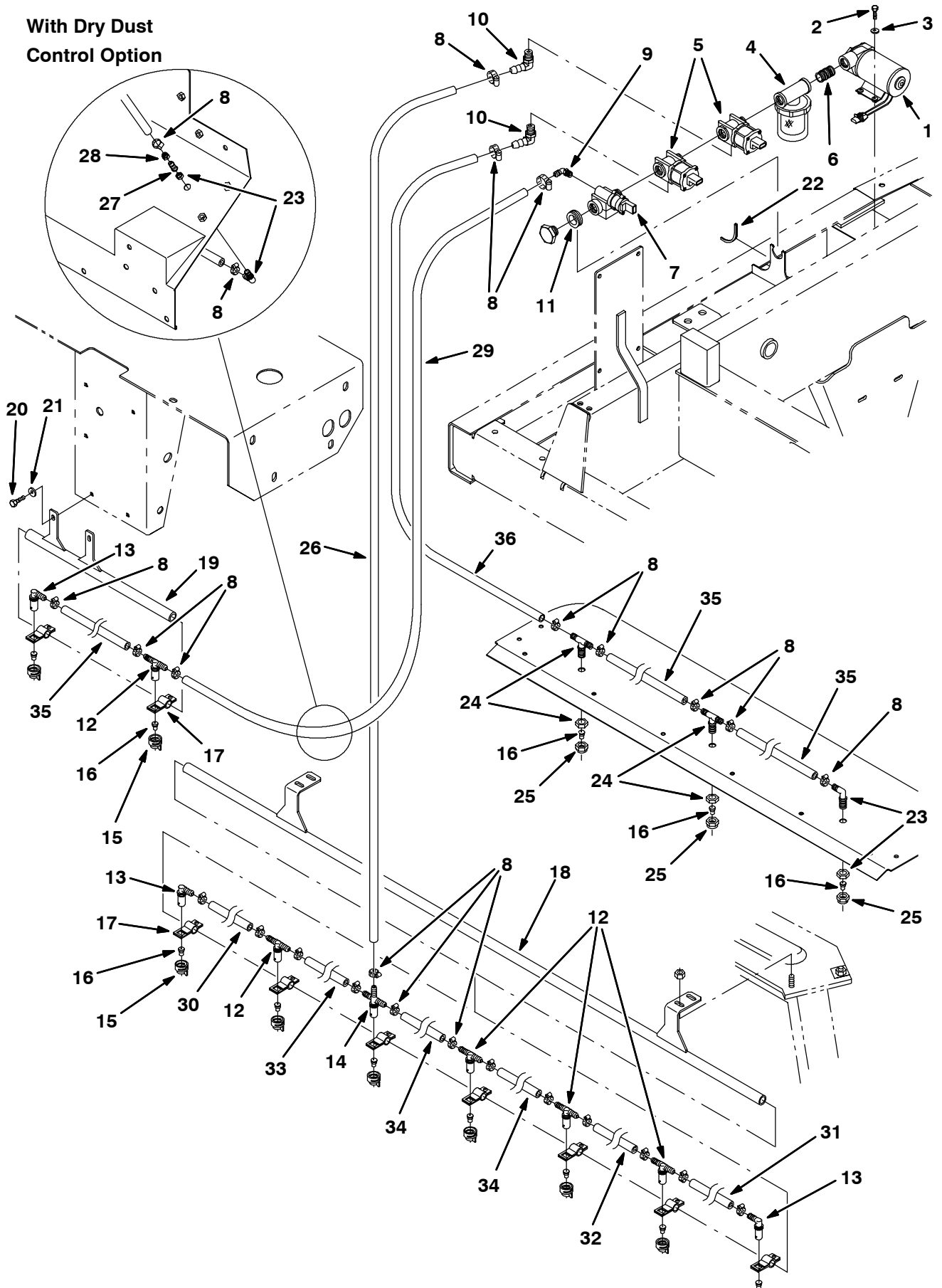


Fig. 37 - Water Pump Group

Ref.	Tennant Part No.	Machine Serial Number	Description	Qty.
1	393414	(000000-	) Pump, Solution, Impeller, 12v	1
2	24199	(000000-	) Screw, Hex, M05 X 0.8 X 16, Ss	4
3	01683	(000000-	) Washer, Flt, #10 Ss	4
4	395517	(000000-	) Strainer, 40 Mesh	1
5	395476	(000000-	) Valve, Water, 12vdc, 10gpm	2
6	69784	(000000-	) Fitting, Plstc, Str, Pm12/Pm12 Close	1
7	396308	(000000-	) Valve Assy, Manifold, 12vdc [2209-1]	1
8	54333	(000000-	) Clamp, Hose, Wormdrive, 0.31-0.88d	24
9	65581	(000000-	) Fitting, Plstc, E90, Bm08/Pm04	1
10	63244-1	(000000-	) Fitting, Plstc, E90, Bm08/Pm08	2
11	10632-1	(000000-	) Grommet, Rbr, 1.06id, F/ 1.4h, .19matl	1
12	394982	(000000-	) Fitting, Plstc, Tee, Spray Nozzle	5
13	394983	(000000-	) Fitting, Plstc, E90, Spray Nozzle	3
14	395512	(000000-	) Fitting, Plstc, Cross, Spray Nozzle	1
15	394985	(000000-	) Cap, Plstc, Spray Nozzle	9
16	395904	(000000-	) Nozzle, [Floodjet 30dt7.5]	12
17	394981	(000000-	) Clamp, Bar, Spray Nozzle	9
18	394791	(000000-	) Tube Wldt, Spray	1
19	395934	(000000-	) Tube Wldt, Spray	1
20	09010	(000000-	) Screw, Hex, M08 X 1.25 X 25, Ss	2
21	01685	(000000-	) Washer, Flt, .31 Ss	2
22	31775	(000000-	) Molding, Trim, .08-.11 04.00	1
23	395513	(000000-	) Fitting, Plstc, Bkhd, Bm08/Thrd, E90	2
24	395514	(000000-	) Fitting, Plstc, Tee, Spray Nozzle	2
25	762234	(000000-	) Cap, Nozzle, Spray, Nylon	3
26	396516	(000000-	) Hose, Pvc, Brd, 0.50id 0.73od, 264.0L	1
27	396303	(000000-	) Fitting, Plstc, Str, Bm08/FIng	1
28	762234	(000000-	) Cap, Nozzle, Spray, Nylon	1
29	396515	(000000-	) Hose, Pvc, Brd, 0.50id 0.73od, 192.0L	1
30	396507	(000000-	) Hose, Pvc, Brd, 0.50id 0.73od, 8.0L	1
31	396508	(000000-	) Hose, Pvc, Brd, 0.50id 0.73od, 9.0L	1
32	396509	(000000-	) Hose, Pvc, Brd, 0.50id 0.73od, 11.0L	1
33	396510	(000000-	) Hose, Pvc, Brd, 0.50id 0.73od, 14.0L	1
34	396511	(000000-	) Hose, Pvc, Brd, 0.50id 0.73od, 14.5L	2
35	396512	(000000-	) Hose, Pvc, Brd, 0.50id 0.73od, 17.0L	3
36	396513	(000000-	) Hose, Pvc, Brd, 0.50id 0.73od, 126.0L	1

Fig. 38 - PTO and Drive Shafts Group

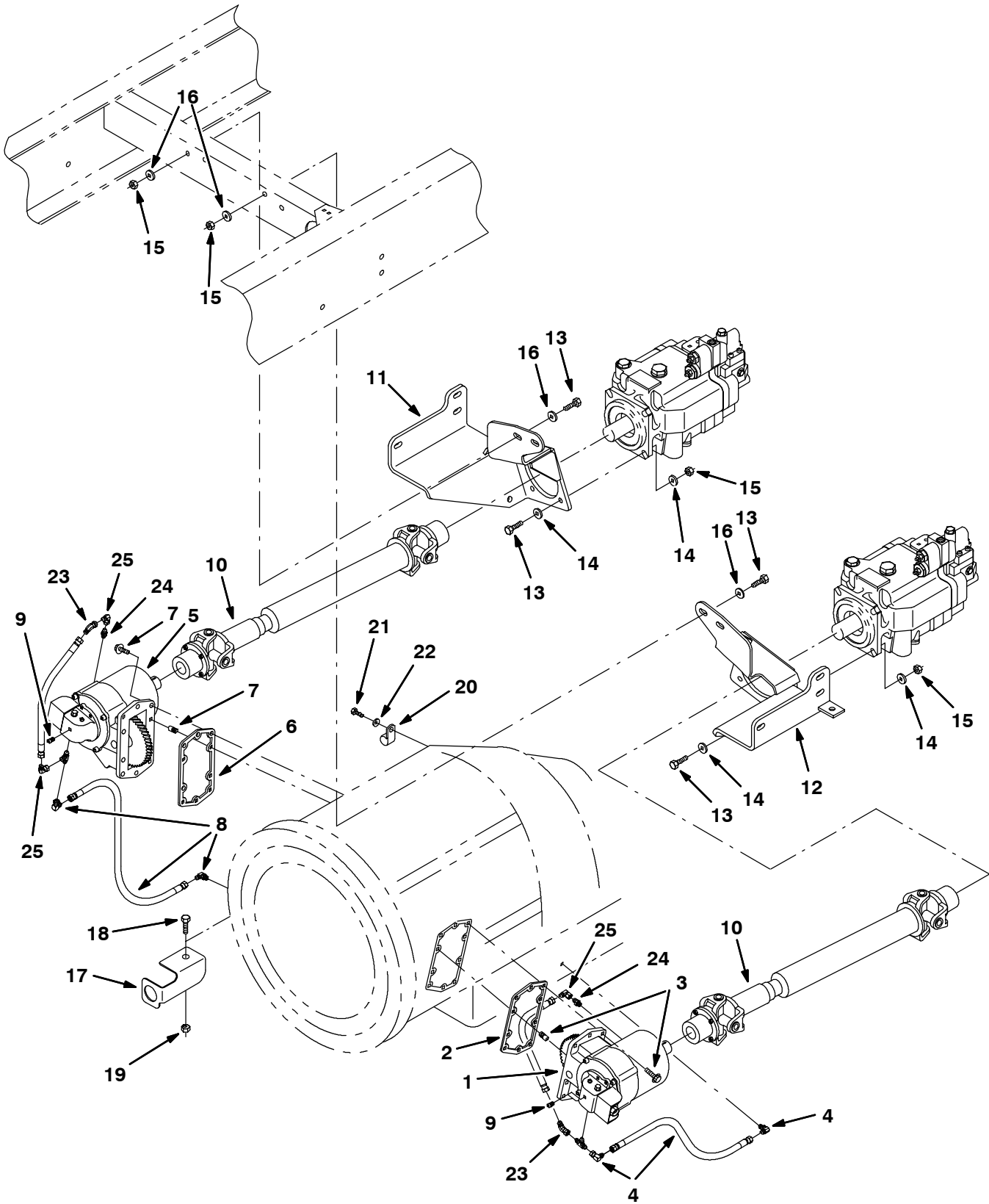




Fig. 38 - PTO and Drive Shafts Group

	Ref.	Tennant Part No.	Machine Serial Number	Description	Qty.
▽	1	394196	(000000-	) Transmission, Drive, Pump, Lh (See Breakdown)	1
▲	2	371720	(000000-	) Kit, Gasket	1
▲	3	371721	(000000-	) Kit, Stud	1
▲	4	371722	(000000-	) Kit, Hose	1
▽	5	394195	(000000-	) Transmission, Drive, Pump, Rh (See Breakdown)	1
▲	6	371720	(000000-	) Kit, Gasket	1
▲	7	371721	(000000-	) Kit, Stud	1
▲	8	371722	(000000-	) Kit, Hose	1
	9	10552	(000000-	) Fitting, Pipe, Plug, Pm02 Soc Head	2
	10	394356	(000000-	) Driveshaft, Pump	2
	11	395043	(000000-	) Bracket Wldt, Mtg, Pump, Rh	1
	12	395040	(000000-	) Bracket Wldt, Mtg, Pump, Lh	1
	13	394349	(000000-	) Screw, Hex, M12 X 1.75 X 45, 10.9 Pltd	18
	14	32486	(000000-	) Washer, Flt, .50 Sae	16
	15	394326	(000000-	) Nut, Hex, Std, M12 X 1.75, 10	18
	16	32493	(000000-	) Washer, Flt, .50 Std	20
	17	395047	(000000-	) Bracket, Mtg, Harness	1
	18	41348	(000000-	) Screw, Hex, M14 X 2.0 X 35, 8.8	1
	19	41517	(000000-	) Nut, Hex, Lock, M14 X 2.0, NI	1
	20	69234	(000000-	) Clamp, Cable, Stl, 1.00d X 0.62w, 1h	1
	21	76099	(000000-	) Screw, Hex, M08 X 1.25 X 25, Fmg	1
	22	32491	(000000-	) Washer, Flt, .31 Std	1
	23	68441	(000000-	) Fitting, Hyd, E45, Jm04/Jf04	1
	24	396824	(000000-	) Fitting, Hyd, Str, Pm02/Jm04	2
	25	39210	(000000-	) Fitting, Hyd, E90, Jm04/Jf04	3

Fig. 39 - Hydraulic Schematic

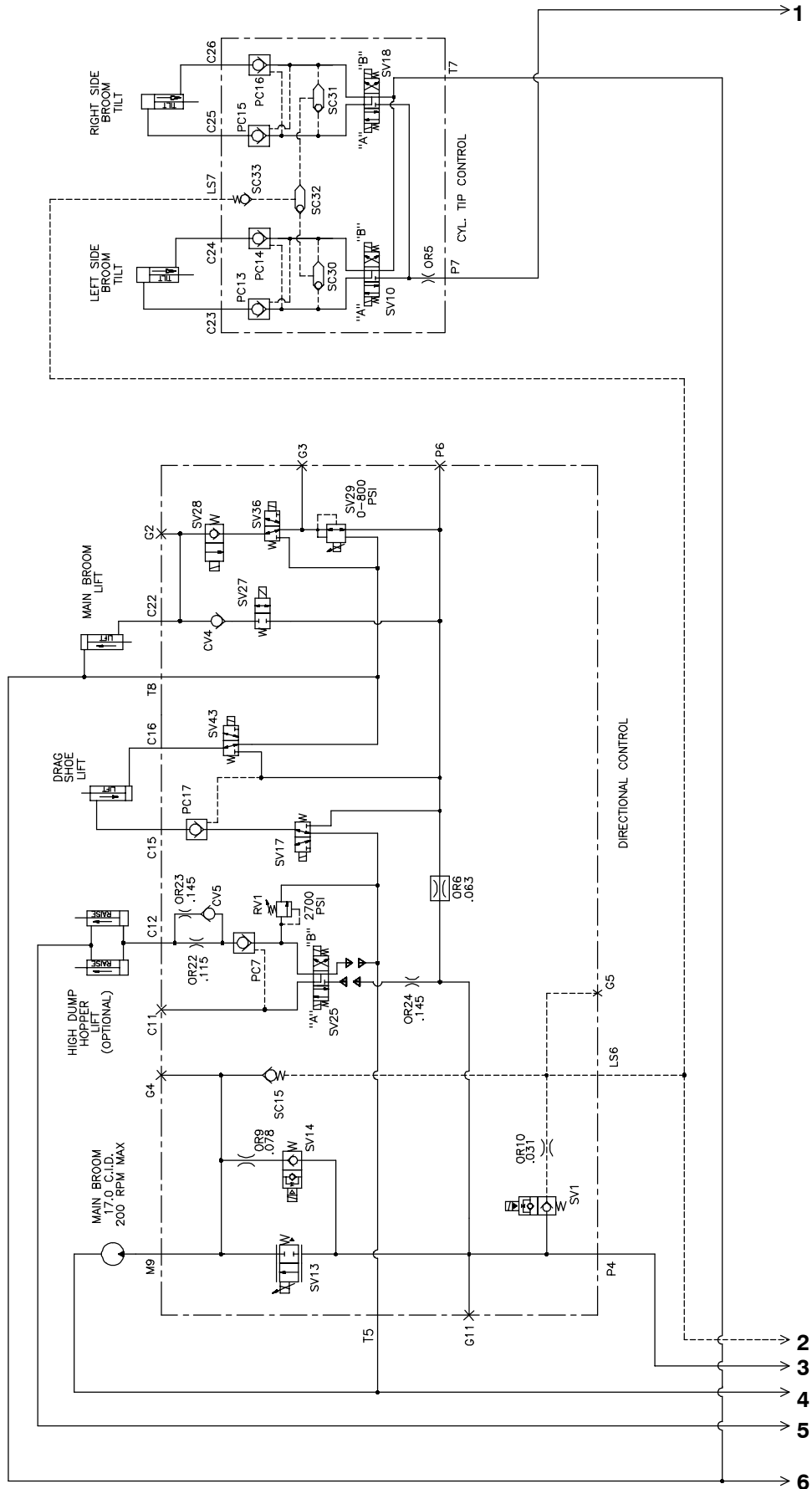


Fig. 39 - Hydraulic Schematic

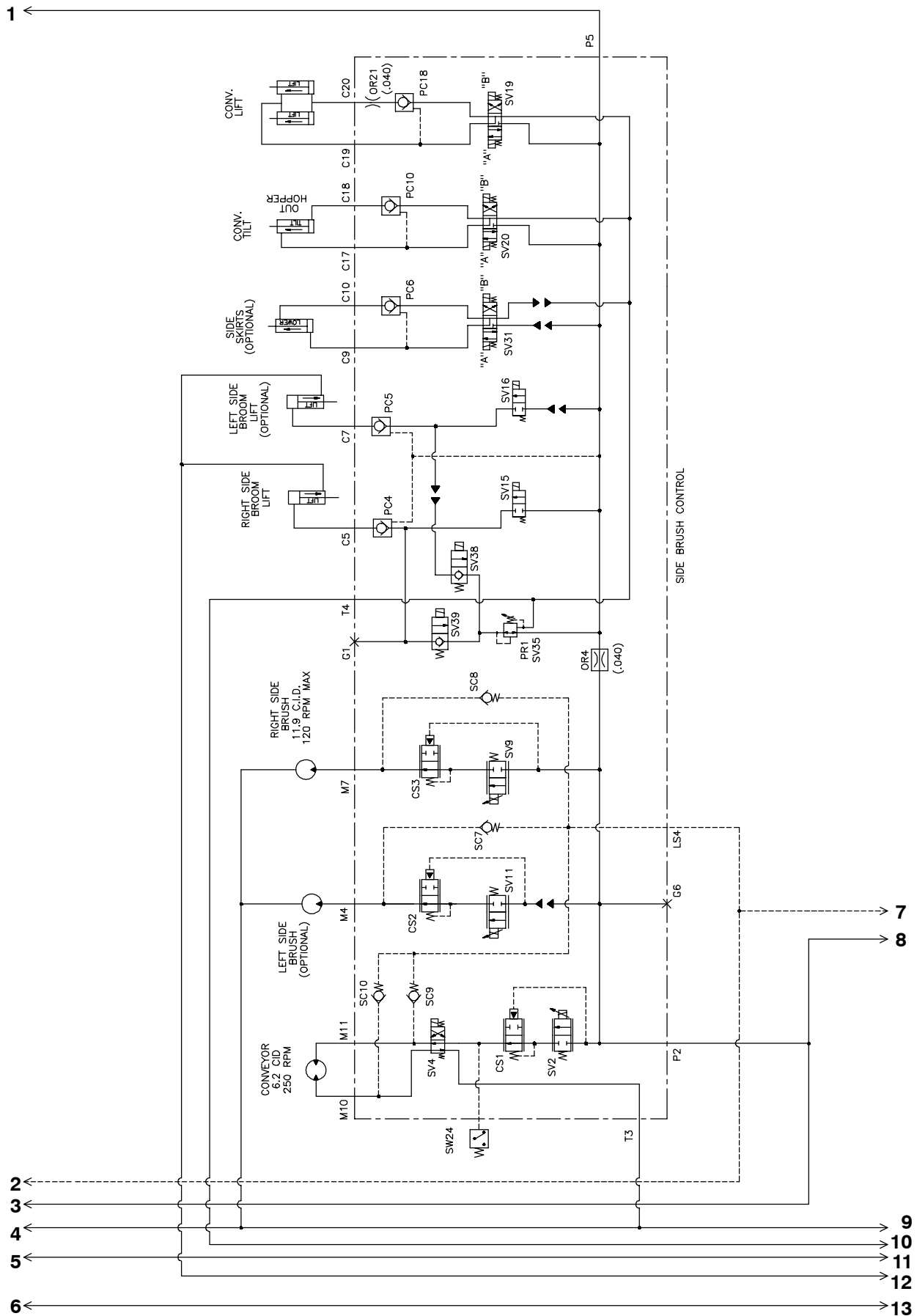
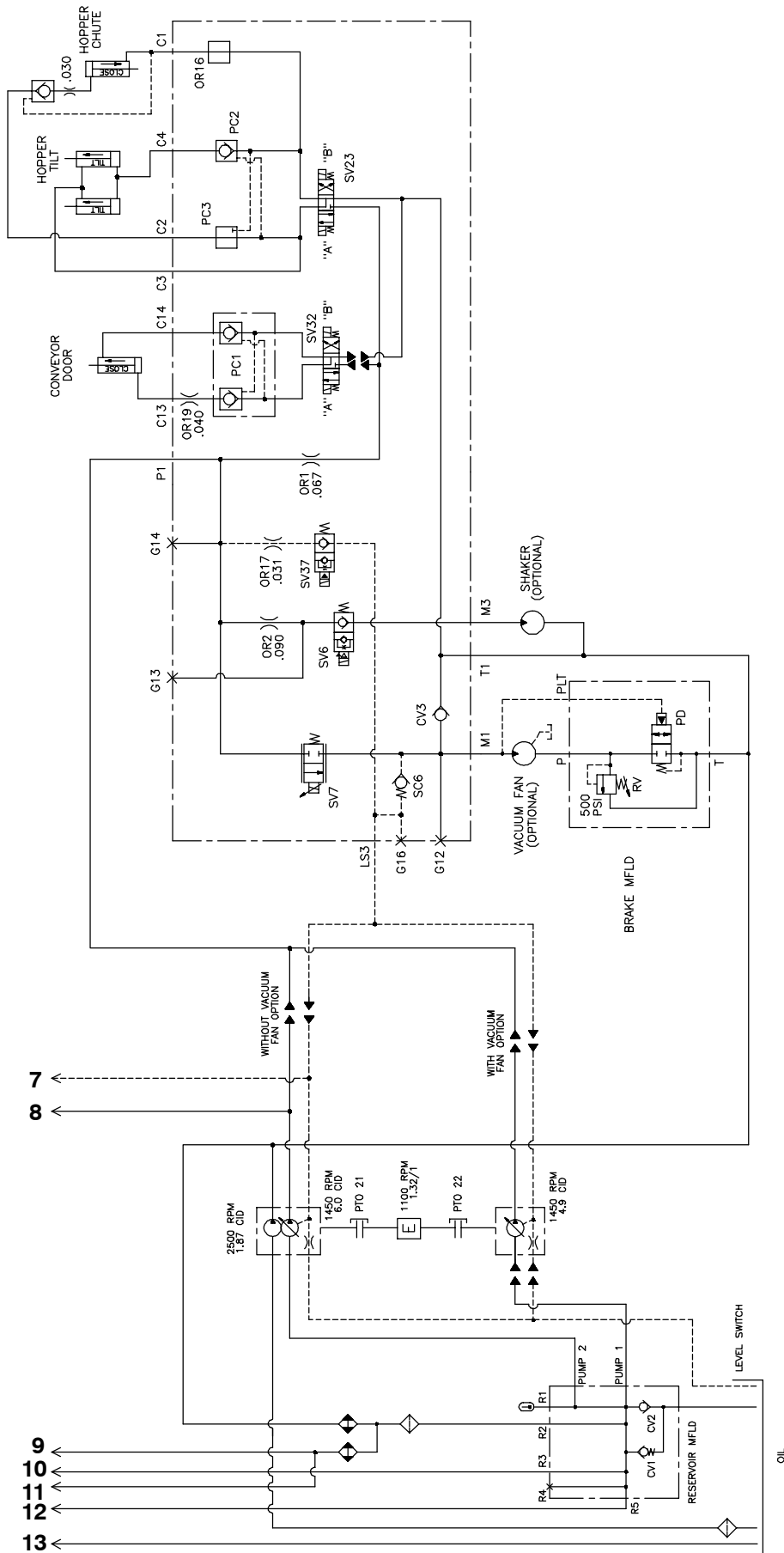


Fig. 39 - Hydraulic Schematic





**Fig. 40 - Hydraulic Reservoir Group**

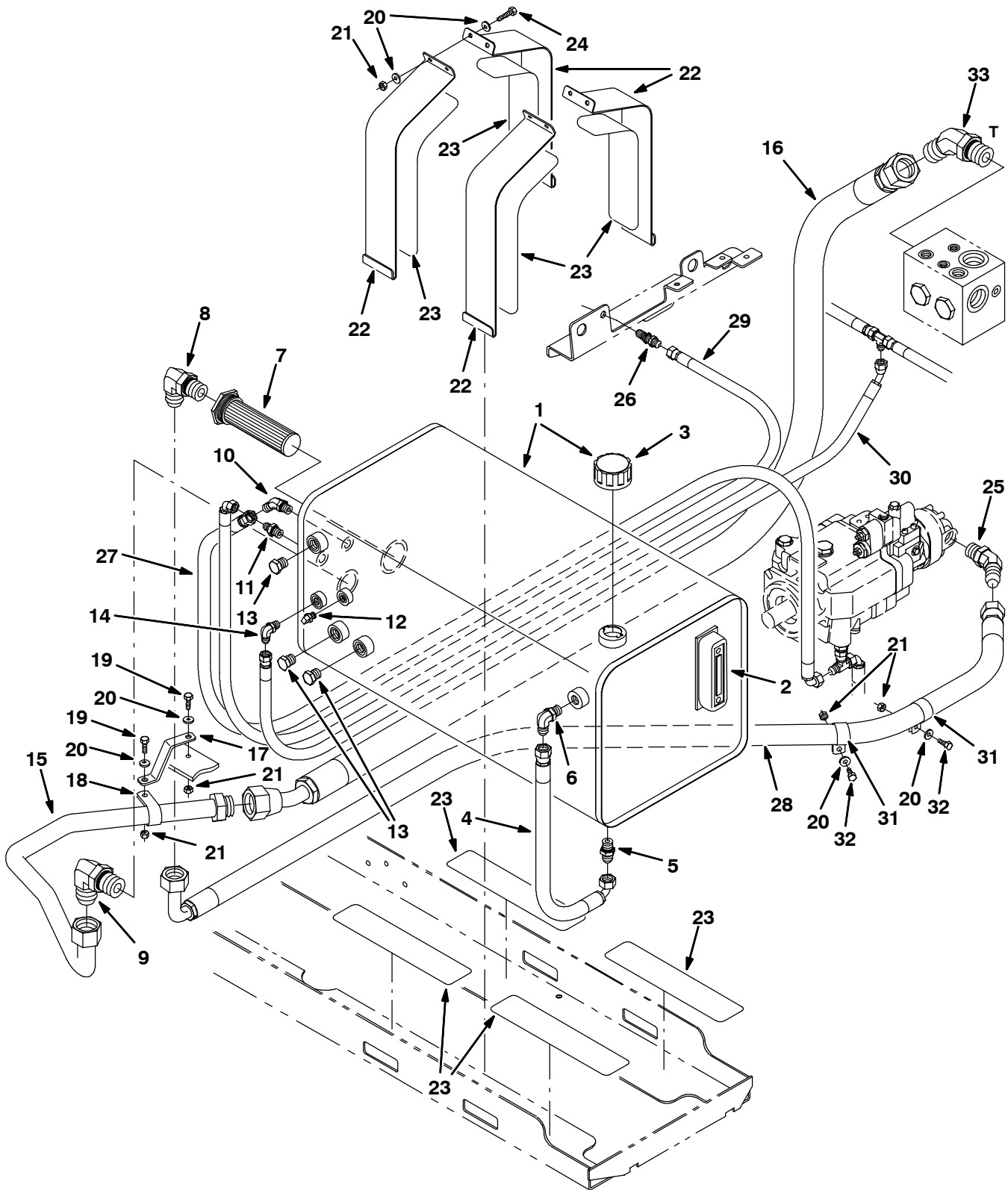


Fig. 40 - Hydraulic Reservoir Group

	Ref.	Tennant Part No.	Machine Serial Number	Description	Qty.
▽	1	396727	(000000-	) Reservoir, Hyd W/Labels	1
▲	2	395027	(000000-	) Gauge, Sight, Temp	1
▲	3	70072	(000000-	) Breather, Hyd, 10 Mic, W/O Ds	1
	4	396226	(000000-	) Hose, Hyd,Med10, Jf10str/Jf10e90, 18.0	1
	5	46480	(000000-	) Fitting, Hyd, Str, Jm10/Om10	1
	6	51782	(000000-	) Fitting, Hyd, E90, Jm10/Om10	1
	7	31613	(000000-	) Strainer, Hyd, 25gpm 100mesh Psi	1
	8	73109	(000000-	) Fitting, Hyd, E90, Jm20/Om20	1
	9	395967	(000000-	) Fitting, Hyd, E90, Jm24/Om24	1
	10	42226	(000000-	) Fitting, Hyd, E45, Jm08/Om08	1
	11	52402	(000000-	) Fitting, Hyd, Str, Jm06/Om08	1
	12	14834	(000000-	) Fitting, Pipe, Plug, Pm04 Sq Head	1
	13	40362	(000000-	) Fitting, Hyd, Plug, Om10	4
	14	56820	(000000-	) Fitting, Hyd, E90, Jm06/Om06	1
	15	395770	(000000-	) Tube, Hyd, Tank	1
	16	395999	(000000-	) Hose, Hyd,Suc24, Jf24str /Jf24e45 , 64.0	1
	17	395940	(000000-	) Bracket, Retainer, Tube	1
	18	53466	(000000-	) Clamp, Cable, Stl, 1.50d X 1.00w, 1h	1
	19	39277	(000000-	) Screw, Hex, M08 X 1.25 X 25, 8.8	2
	20	32491	(000000-	) Washer, Flt, .31 Std	12
	21	08709	(000000-	) Nut, Hex, Lock, M08 X 1.25,NI	8
	22	396833	(000000-	) Strap, Mtg, Tank, Hyd	4
	23	395655	(000000-	) Strap, Rbr	8
	24	41342	(000000-	) Screw, Hex, M08 X 1.25 X 40, 8.8	4
	25	57479	(000000-	) Fitting, Hyd, E45, Jm16/Om16	1
	26	16864	(000000-	) Fitting, Hyd, Str, Jm06/Jm06bkhd	1
	27	396209	(000000-	) Hose, Hyd,Tc 08, Jf08str /Jf08e90 , 54.0	1
	28	396202	(000000-	) Hose, Hyd,Suc20, Jf20str /Jf20e90I, 49.0	1
	29	396404	(000000-	) Hose, Hyd,Med06, Jf06str /Jf06e90 , 70.0	1
	30	396532	(000000-	) Hose, Hyd,Med06, Jf06str /Jf06e45 , 102.0	1
	31	53468	(000000-	) Clamp, Cable, Stl, 1.75d X 1.00w, 1h	2
	32	76570	(000000-	) Screw, Hex, M08 X 1.25 X 30, 8.8	2
	33	395977	(000000-	) Fitting, Hyd, E45, Jm24/Om24	1

Fig. 41 - Hydraulic Pumps Group

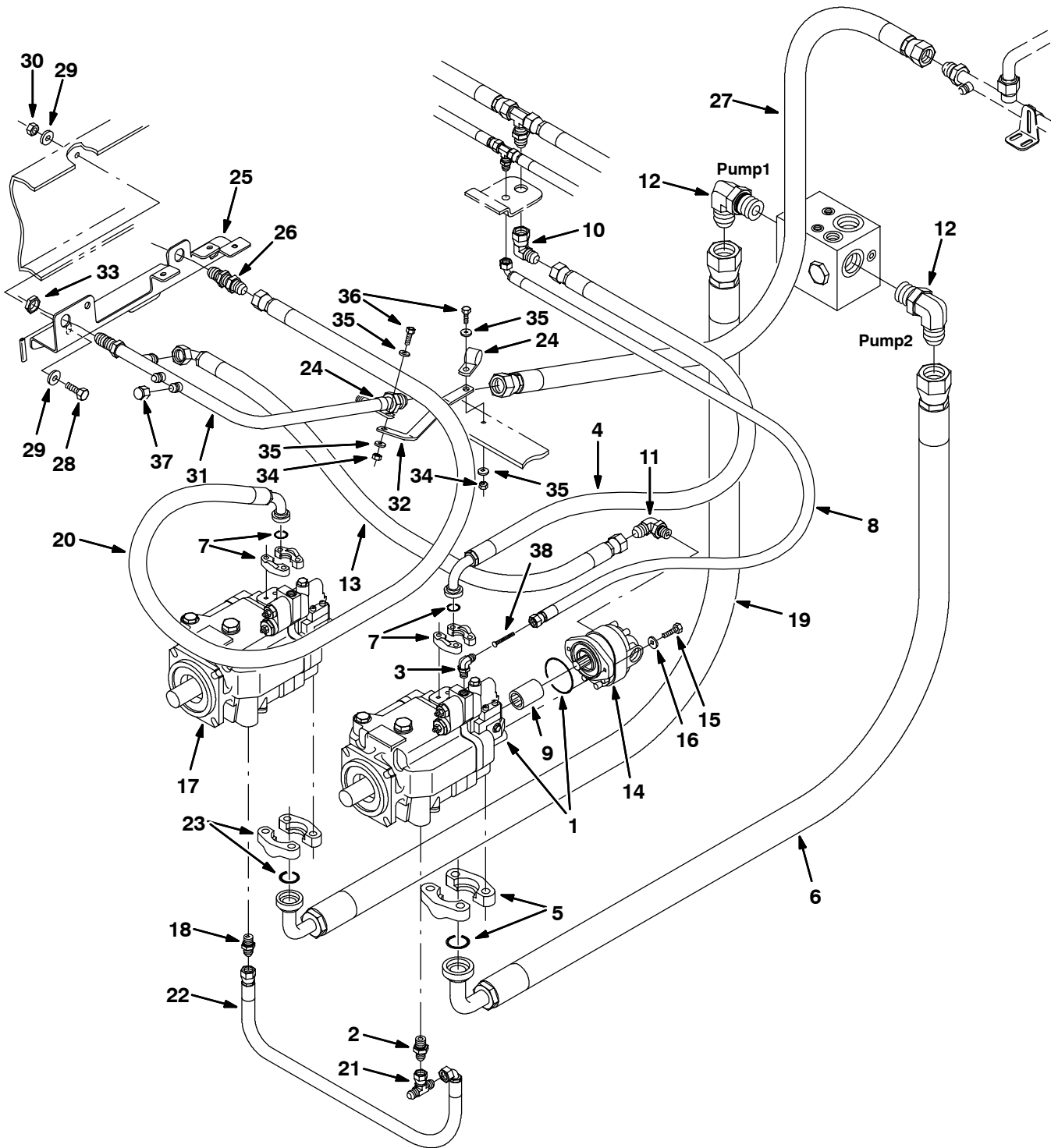




Fig. 41 - Hydraulic Pumps Group

Ref.	Tennant Part No.	Machine Serial Number	Description	Qty.
1	394417	(000000-	) Pump, Hyd Piston V 6.00 R 3625	1
2	56692	(000000-	) Fitting, Hyd, Str, Jm08/Om10	1
3	56820	(000000-	) Fitting, Hyd, E90, Jm06/Om06	1
4	396257	(000000-	) Hose, Hyd,Tc 16, Jf12str /F 16e90, 46.0	1
5	395964	(000000-	) Fitting, Hyd, Str, F 40/F 40, Sae 61	1
6	396201	(000000-	) Hose, Hyd,Suc24, Jf24str /F 40e90 , 46.0	1
7	395962	(000000-	) Fitting, Hyd, Str, F 16/F 16, Sae 61	2
8	386711	(000000-	) Hose, Hyd, Tc 06, Jf Str/E90 , 48.0l	1
9	394420	(000000-	) Coupling, Pump, 11t/17t Spl	1
10	35033	(000000-	) Fitting, Hyd, E90, Jm12/Jf12	1
11	47498	(000000-	) Fitting, Hyd, E90, Jm12/Om10	1
12	395967	(000000-	) Fitting, Hyd, E90, Jm24/Om24	2
13	396230	(000000-	) Hose, Hyd,Tc 12, Jf12str /Jf12e90 , 25.0	1
14	395612	(000000-	) Pump, Hyd, Gear [Ex1] 1.87 [R] 2750 (See Breakdowns)	1
15	27988	(000000-	) Screw, Hex, .38-16 X 1.50, 5	2
16	32485	(000000-	) Washer, Flt, .38 Sae	2
17	394418	(000000-	) Pump, Hyd Piston V 4.96 R 3625	1
18	44869	(000000-	) Fitting, Hyd, Str, Jm08/Om08	2
19	396203	(000000-	) Hose, Hyd,Suc24, Jf24str /F 32e90 , 53.0	1
20	396261	(000000-	) Hose, Hyd,Tc 16, Jf12str /F 16e60 , 47.0	1
21	76315	(000000-	) Fitting, Hyd, Tee, Jm08/Jf08/Jm08	1
22	78775	(000000-	) Hose, Hyd,Med08, Jf08str /Jf08e90 , 18.0	1
23	395963	(000000-	) Fitting, Hyd, Str, F 32/F 32, Sae 61	1
24	69234	(000000-	) Clamp, Cable, Stl, 1.00d X 0.62w, 1h	2
25	395790	(000000-	) Bracket, Hose Mtg	1
26	395986	(000000-	) Fitting, Hyd, Str, Jm12/Jm12bkhd	1
27	396228	(000000-	) Hose, Hyd,Med16, Jf16str /Jf16str , 64.0	1
28	06968	(000000-	) Screw, Hex, M12 X 1.75 X 35, 8.8	1
29	32493	(000000-	) Washer, Flt, .50 Std	2
30	08711	(000000-	) Nut, Hex, Lock, M12 X 1.75,NI	1
31	395772	(000000-	) Tube, Hyd, Return	1
32	395948	(000000-	) Bracket, Retainer, Tube	1
33	396279	(000000-	) Fitting, Hyd, Nut, Jm12	1
34	08709	(000000-	) Nut, Hex, Lock, M08 X 1.25,NI	2
35	32491	(000000-	) Washer, Flt, .31 Std	4
36	39277	(000000-	) Screw, Hex, M08 X 1.25 X 25, 8.8	2
37	60090	(000000-	) Fitting, Hyd, Cap Jf08	1
38	1009124	(000000-	) Filter, Hyd, 52 Mesh	1

**Fig. 42 - Hydraulic Cooler and Charge Valve Group**

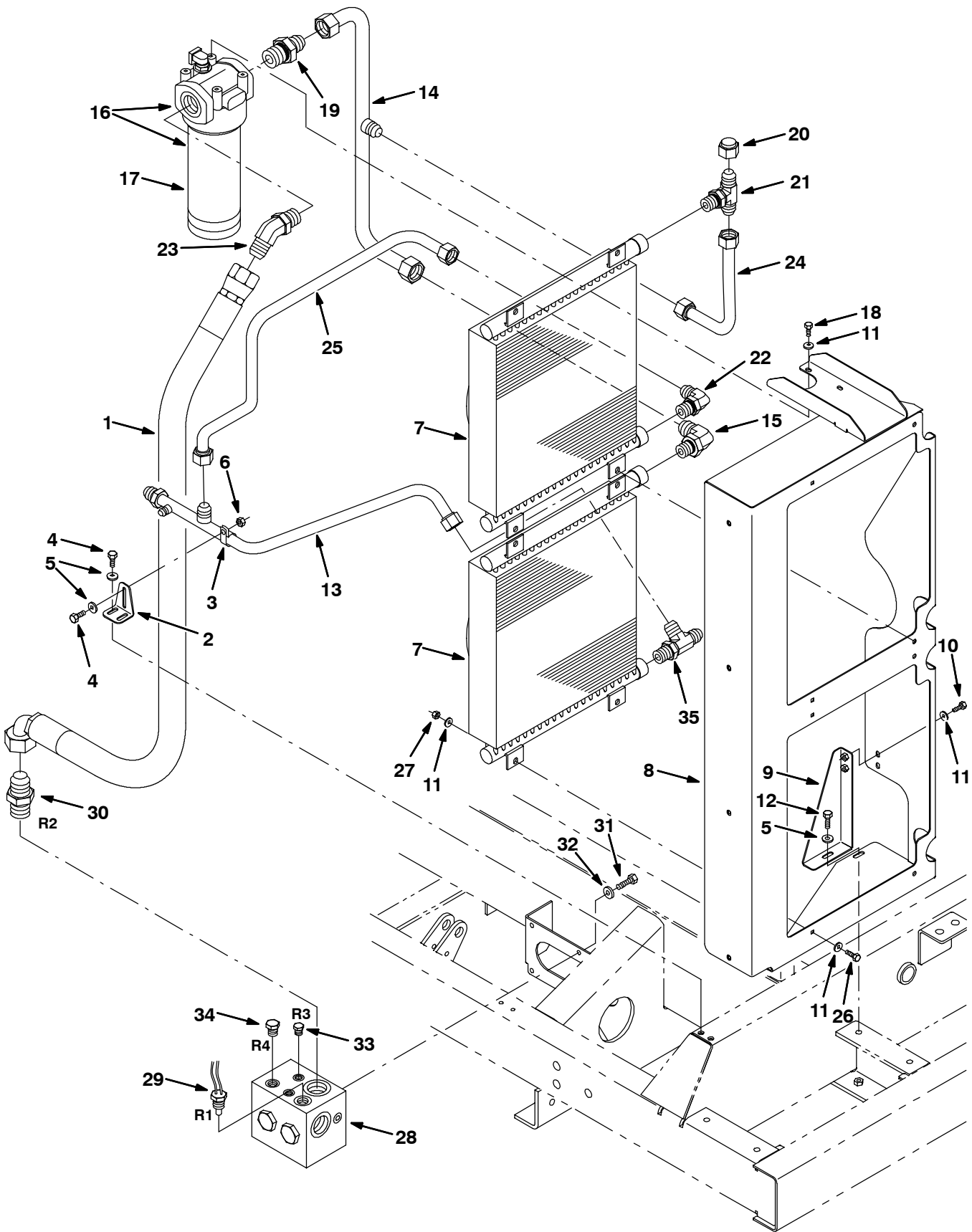


Fig. 42 - Hydraulic Cooler and Charge Valve Group

Ref.	Tennant Part No.	Machine Serial Number	Description	Qty.	
1	396204	(000000-	) Hose, Hyd,Suc24, Jf24str /Jf24e90 , 66.0	1	
2	396239	(000000-	) Plate, Mount, Clamp	1	
3	69234	(000000-	) Clamp, Cable, Stl, 1.00d X 0.62w, 1h	1	
4	39283	(000000-	) Screw, Hex, M10 X 1.5 X 25, 8.8	1	
5	32492	(000000-	) Washer, Flt, .38 Std	5	
6	41430	(000000-	) Nut, Hex, Lock, M10 X 1.5, NI	1	
7	395421	(000000-	) Cooler, Hyd, 50gpm 700btu Of16 19x19x4	2	
8	395401	(000000-	) Bracket Wldt, Cooler, Oil	1	
9	396335	(000000-	) Bracket, Gusset, Cooler, Hyd	1	
10	39277	(000000-	) Screw, Hex, M08 X 1.25 X 25, 8.8	2	
11	32491	(000000-	) Washer, Flt, .31 Std	22	
12	03192	(000000-	) Screw, Hex, M10 X 1.5 X 30, 8.8	2	
13	395771	(000000-	) Tube, Hyd, Radiator, Lower	1	
14	396289	(000000-	) Tube, Hyd, Radiator, Top	1	
15	396436	(000000-	) Fitting, Hyd, E90, Om16/Jm16	1	
▽	16	394421	(000000-	) Filter, Hyd 5mic 100gpm 800	1
▲	17	373450	(000000-	) Filter, Hyd	1
	18	54395	(000000-	) Screw, Hex, .31-18 X 0.62, 5	4
	19	396435	(000000-	) Fitting, Hyd, Str, Om24/Jm20	1
	20	396426	(000000-	) Fitting, Hyd, Cap, Jf16	1
	21	396427	(000000-	) Fitting, Hyd, Tee, Jm16/Om16/Jm16	1
	22	53077	(000000-	) Fitting, Hyd, E90, Jm16/Om16	2
	23	395977	(000000-	) Fitting, Hyd, E45, Jm24/Om24	1
	24	395776	(000000-	) Tube, Hyd, Radiator, Upper	1
	25	395773	(000000-	) Tube, Hyd, Radiator, Upper	1
	26	39277	(000000-	) Screw, Hex, M08 X 1.25 X 25, 8.8	8
	27	08709	(000000-	) Nut, Hex, Lock, M08 X 1.25,NI	8
	28	394408	(000000-	) Manifold, Hyd (Charge)	1
	29	394428	(000000-	) Switch, Hyd, Temp, [140f]	1
	30	395966	(000000-	) Fitting, Hyd, Str, Jm24/Om24	1
	31	06961	(000000-	) Screw, Hex, M10 X 1.5 X 20, 8.8	8
	32	32492	(000000-	) Washer, Flt, .38 Std	8
	33	40362	(000000-	) Fitting, Hyd, Plug, Om10	1
	34	46482	(000000-	) Fitting, Hyd, Plug, Om06	1
	35	395981	(000000-	) Fitting, Hyd, Tee, Jm16/Jm16/Om16	1

Fig. 43 - Hydraulic Hopper Scissors Group

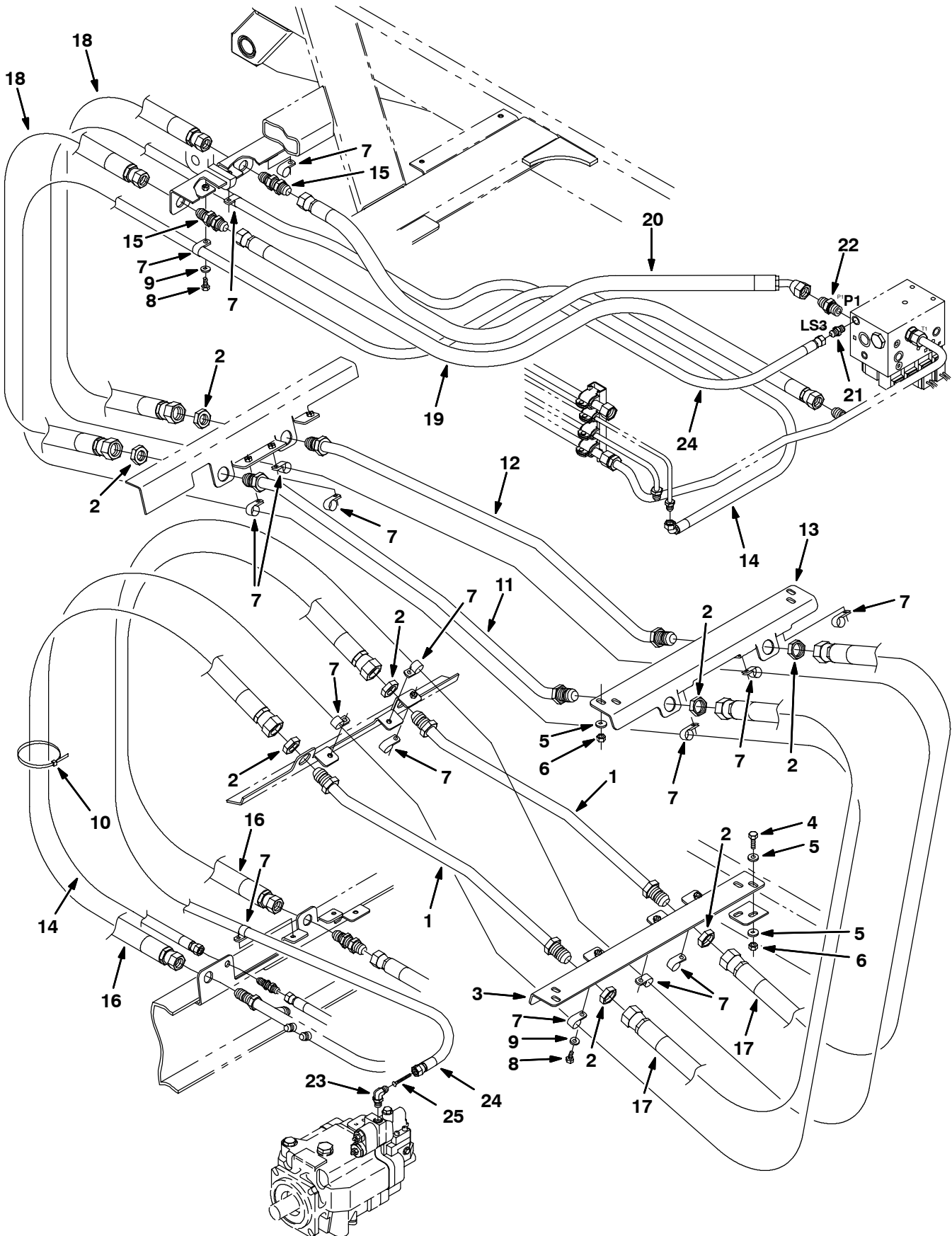


Fig. 43 - Hydraulic Hopper Scizzors Group

Ref.	Tennant Part No.	Machine Serial Number	Description	Qty.
1	395791	(000000-	) Tube Assy, Vacfan	2
2	396399	(000000-	) Fitting, Hyd, Nut, Jm16	8
3	395797	(000000-	) Bar, Mtg, Hose	1
4	03192	(000000-	) Screw, Hex, M10 X 1.5 X 30, 8.8	4
5	32492	(000000-	) Washer, Flt, .38 Std	12
6	41430	(000000-	) Nut, Hex, Lock, M10 X 1.5, NI	8
7	40678-1	(000000-	) Clamp, Cable, Stl, 0.88d X 0.62w, 1h	16
8	16931	(000000-	) Screw, Hex, M08 X 1.25 X 20, 8.8	16
9	32491	(000000-	) Washer, Flt, .31 Std	16
10	763113	(000000-	) Tie, Cable, 20.0l, 6.00d Max	31
11	395792	(000000-	) Tube Assy, Vacfan	1
12	395793	(000000-	) Tube Assy, Vacfan	1
13	395798	(000000-	) Bar, Mtg, Hose	1
14	396274	(000000-	) Hose, Hyd,Med06, Jf06str /Jf06e90 ,290.0	1
15	395986	(000000-	) Fitting, Hyd, Str, Jm12/Jm12bkhd	2
16	396262	(000000-	) Hose, Hyd,Tc 16, Jf12str /Jf16str , 44.0	2
17	396263	(000000-	) Hose, Hyd,Tc 16, Jf16str /Jf16str , 34.0	2
18	396264	(000000-	) Hose, Hyd,Tc 16, Jf12str /Jf16str , 34.0	2
19	396272	(000000-	) Hose, Hyd,Med12, Jf12str /Jf12str , 72.0	1
20	396265	(000000-	) Hose, Hyd,Tc 12, Jf12str /Jf12e45 , 66.0	1
21	56690	(000000-	) Fitting, Hyd, Str, Jm06/Om06	1
22	42260	(000000-	) Fitting, Hyd, Str, Jm12/Om12	1
23	56820	(000000-	) Fitting, Hyd, E90, Jm06/Om06	1
24	396267	(000000-	) Hose, Hyd,Tc 06, Jf06str /Jf06str ,280.0	1
25	1009124	(000000-	) Filter, Hyd, 52 Mesh	1

**Fig. 44 - Hydraulic Hopper Valve and Shaker Motor Group**

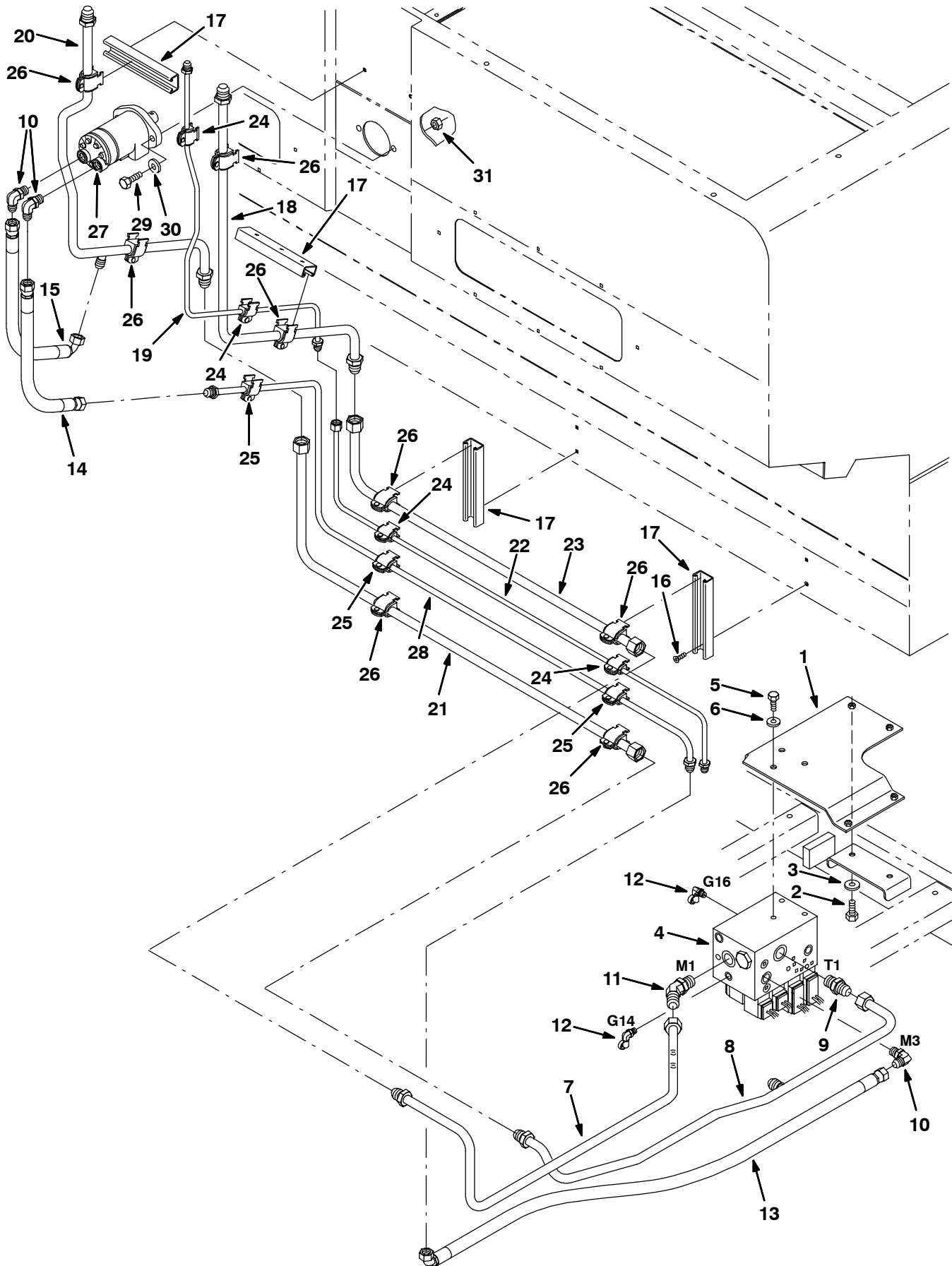


Fig. 44 - Hydraulic Hopper Valve and Shaker Motor Group

Ref.	Tennant Part No.	Machine Serial Number	Description	Qty.
1	395620	(000000-	) Plate, Mtg, Valve, Hyd	1
2	16931	(000000-	) Screw, Hex, M08 X 1.25 X 20, 8.8	4
3	32491	(000000-	) Washer, Flt, .31 Std	4
4	394423	(000000-	) Valve, Hyd Cntrl Sol 7s40g3000 (See Breakdowns)	1
5	06961	(000000-	) Screw, Hex, M10 X 1.5 X 20, 8.8	3
6	32492	(000000-	) Washer, Flt, .38 Std	3
7	396301	(000000-	) Tube, Lower, Hpr, Base	1
8	396302	(000000-	) Tube, Lower, Hpr, Base	1
9	42260	(000000-	) Fitting, Hyd, Str, Jm12/Om12	1
10	44868	(000000-	) Fitting, Hyd, E90, Jm08/Om08	3
11	16081	(000000-	) Fitting, Hyd, E45, Jm12/Om12	1
12	395974	(000000-	) Fitting, Hyd, E90, Om04/Om04	2
13	381859	(000000-	) Hose, Hyd, Tc 08, Jf08str /Jf08e90 , 38.0	1
14	396259	(000000-	) Hose, Hyd, Tc 08, Jf08str /Jf08str , 18.0	1
15	396278	(000000-	) Hose, Hyd, Tc 08, Jf08str /Jf08e90 , 20.0	1
16	16879	(000000-	) Screw, Flt, M06 X 1.0 X 20, 10.9	8
17	396288	(000000-	) Channel, Clamp, Hyd	4
18	395907	(000000-	) Tube, Hyd, Vacuum, Press, Top	1
19	395908	(000000-	) Tube, Hyd, Vacuum, Case, Top	1
20	395910	(000000-	) Tube, Hyd, Vacuum, Tank, Top	1
21	395911	(000000-	) Tube, Hyd, Vacuum, Tank, Bottom	1
22	395912	(000000-	) Tube, Hyd, Vacuum, Case, Bottom	1
23	395913	(000000-	) Tube, Hyd, Vacuum, Press, Bottom	1
24	396285	(000000-	) Clamp, Hyd, 0.38d	4
25	396286	(000000-	) Clamp, Hyd, 0.50d	3
26	396287	(000000-	) Clamp, Hyd, Stl, 0.75d X 1.62w	8
27	762035	(000000-	) Motor, Hyd (See Breakdowns)	1
28	395909	(000000-	) Tube, Hyd, Motor, Shaker	1
29	06969	(000000-	) Screw, Hex, M12 X 1.75 X 40, 8.8	2
30	32486	(000000-	) Washer, Flt, .50 Sae	2
31	08711	(000000-	) Nut, Hex, Lock, M12 X 1.75, NI	2

Fig. 45 - Hydraulic Hopper Door and Tilt Cylinders Group

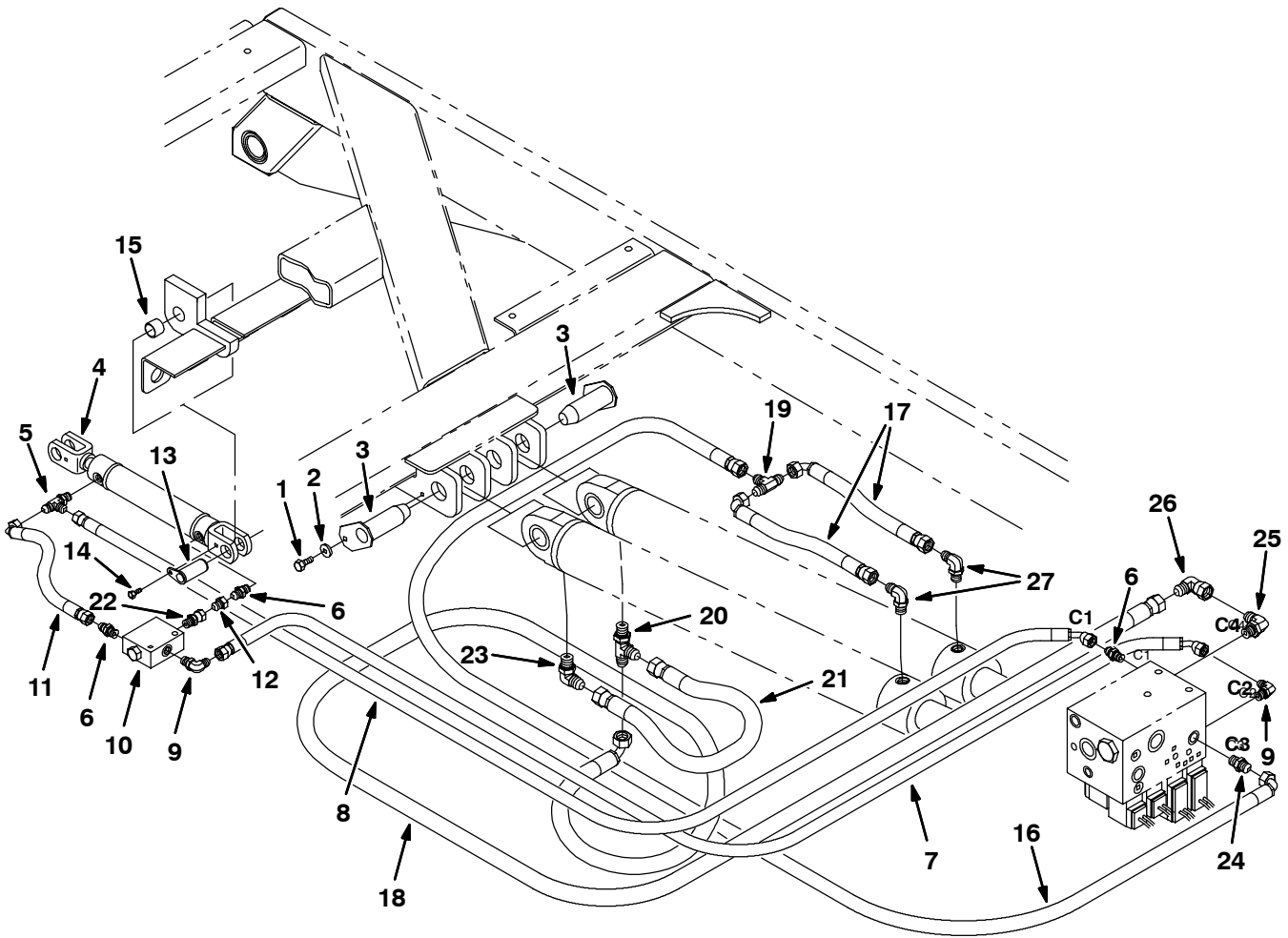




Fig. 45 - Hydraulic Hopper Door and Tilt Cylinders Group

Ref.	Tennant Part No.	Machine Serial Number	Description	Qty.
1	16931	(000000-	) Screw, Hex, M08 X 1.25 X 20, 8.8	2
2	32491	(000000-	) Washer, Flt, .31 Std	2
3	395668	(000000-	) Pin Wldt, Hppr, Pivot, Tilt	2
4	394441	(000000-	) Cylinder, Hyd 1.5b,15.3l,07.00strk,3000	1
5	34390	(000000-	) Fitting, Hyd, Tee, Jm04/Jm04/Om04	1
6	55586	(000000-	) Fitting, Hyd, Str, Jm04/Om04	3
7	71551	(000000-	) Hose, Hyd,Tc 04, Jf04str /Jf04e45 , 76.0	1
8	71755	(000000-	) Hose, Hyd,Tc 04, Jf04str /Jf04e45 , 82.0	1
9	77097	(000000-	) Fitting, Hyd, E90, Jm04/Om04	2
10	396439	(000000-	) Valve, Hyd, Check, Pilot	1
11	396437	(000000-	) Hose, Hyd,Tc 04, Jf04str /Jf04e90 ,09.0	1
12	79447	(000000-	) Fitting, Hyd, Rst, Jm04/.036	1
13	1007105	(000000-	) Pin Wldt, Clevis	1
14	11635	(000000-	) Screw, Hex, M6 X 1.0 X 12, Ss, NI	1
15	394681	(000000-	) Bearing, Journal	2
16	396217	(000000-	) Hose, Hyd,Tc 06, Jf06str /Jf06e90 ,102.0	1
17	396219	(000000-	) Hose, Hyd,Tc 06, Jf06str /Jf06e90 , 12.0	2
18	71753	(000000-	) Hose, Hyd,Tc 08, Jf08str /Jf08e90 ,112.0	1
19	76837	(000000-	) Fitting, Hyd, Tee, Jm06/Jm06/Jm06	1
20	40755	(000000-	) Fitting, Hyd, Tee, Jm08/Jm08/Om08	1
21	381862	(000000-	) Hose, Hyd,Tc 08, Jf08str /Jf08str , 24.0	1
22	396432	(000000-	) Fitting, Hyd, Str, Om04/Jf04	1
23	44868	(000000-	) Fitting, Hyd, E90, Jm08/Om08	1
24	56690	(000000-	) Fitting, Hyd, Str, Jm06/Om06	1
25	42213	(000000-	) Fitting, Hyd, E90, Jm08/Om06	1
26	17980	(000000-	) Fitting, Hyd, E90, Jm08/Jf08	1
27	56820	(000000-	) Fitting, Hyd, E90, Jm06/Om06	2

Fig. 46 - Hydraulic Hopper Lift Group

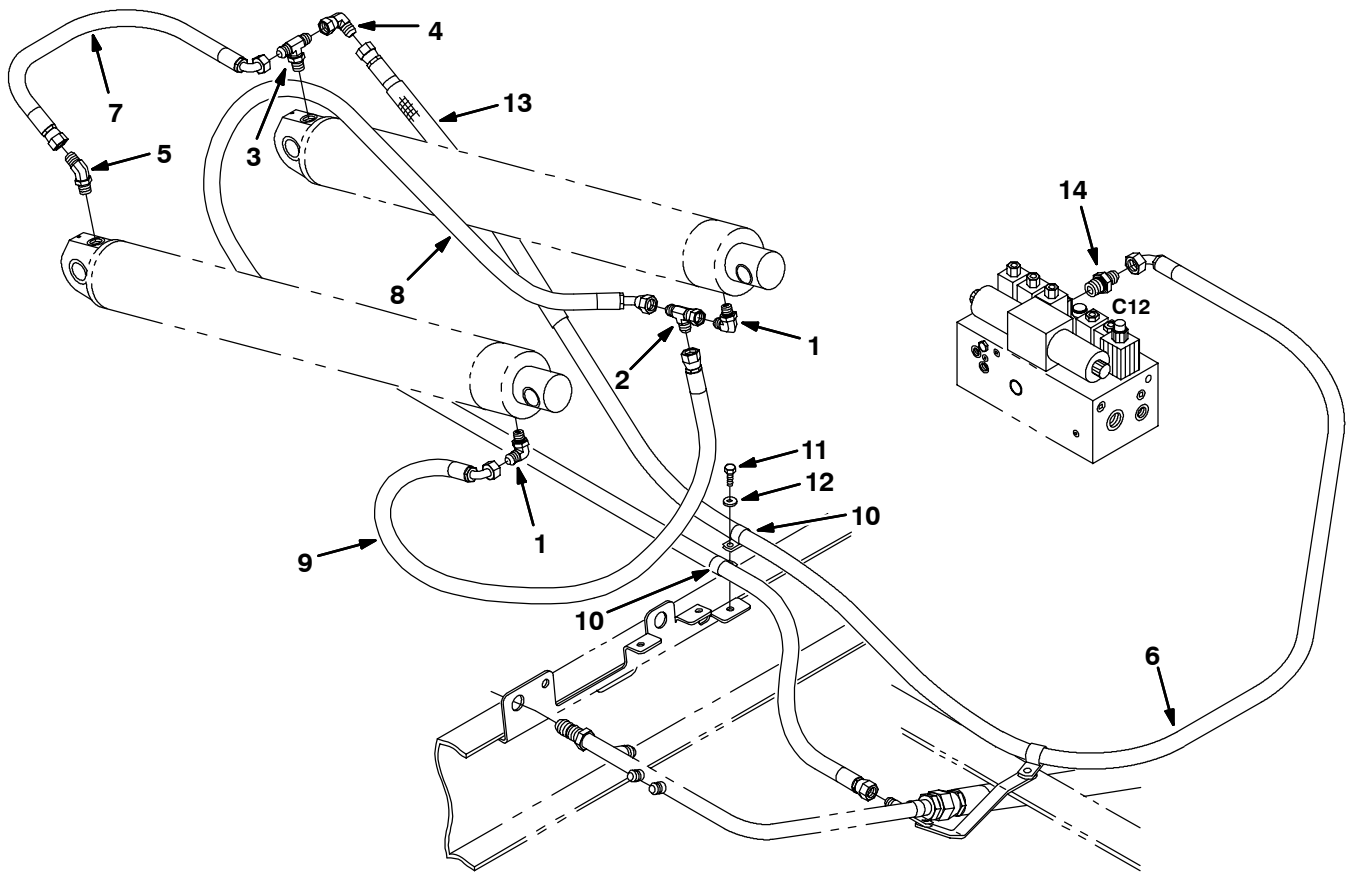


Fig. 46 - Hydraulic Hopper Lift Group

Ref.	Tenant Part No.	Machine Serial Number	Description	Qty.
1	42213	(000000-	) Fitting, Hyd, E90, Jm08/Om06	2
2	45482	(000000-	) Fitting, Hyd, Tee, Jm08/Jm08/Jf08	1
3	49933	(000000-	) Fitting, Hyd, Tee, Jm08/Om08/Jm08	1
4	17980	(000000-	) Fitting, Hyd, E90, Jm08/Jf08	1
5	42226	(000000-	) Fitting, Hyd, E45, Jm08/Om08	1
6	396254	(000000-	) Hose, Hyd, Tc 10, Jf08str /Jf10e90 , 182.0	1
7	396255	(000000-	) Hose, Hyd, Tc 08, Jf08str /Jf08e90 , 31.0	1
8	396260	(000000-	) Hose, Hyd, Med08, Jf08str /Jf08e45 , 78.0	1
9	396266	(000000-	) Hose, Hyd, Med08, Jf08str /Jf08e90 , 31.0	1
10	40678-1	(000000-	) Clamp, Cable, Stl, 0.88d X 0.62w, 1h	2
11	39277	(000000-	) Screw, Hex, M08 X 1.25 X 25, 8.8	1
12	32491	(000000-	) Washer, Flt, .31 Std	1
13	13773	(000000-	) Sleeve, Nyl, #27 20.0l	1
14	42223	(000000-	) Fitting, Hyd, Str, Jm10/Om12	1

**Fig. 47 - Hydraulic Conveyor Valve and Cylinders Group**

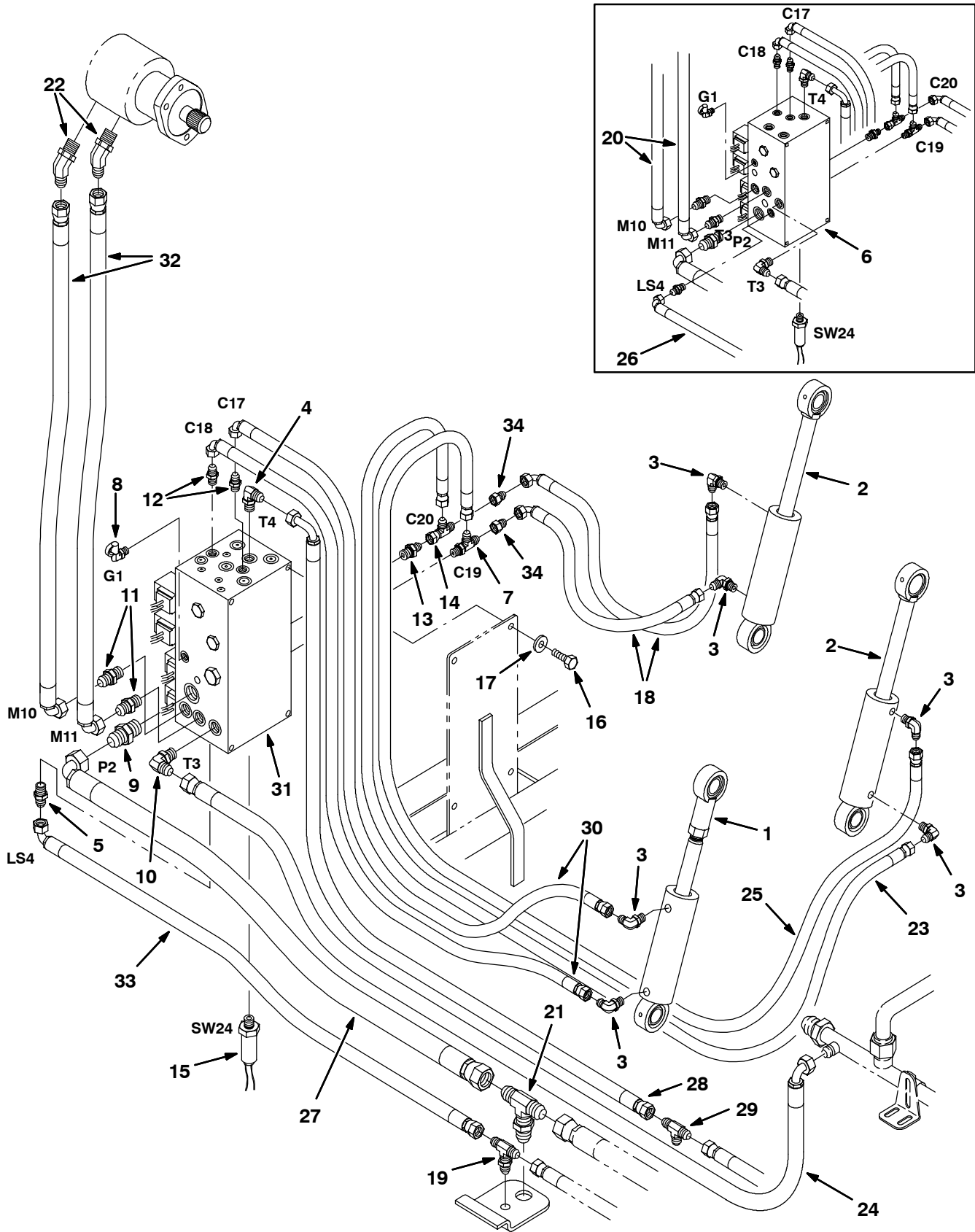


Fig. 47 - Hydraulic Conveyor Valve and Cylinders Group

Ref.	Tennant Part No.	Machine Serial Number	Description	Qty.
1	394580	(000000-	) Cylinder, Hyd 2.0b,14.4l,02.38strk,3000	1
2	394581	(000000-	) Cylinder, Hyd 2.0b,16.1l,03.88strk,3000	2
3	77097	(000000-	) Fitting, Hyd, E90, Jm04/Om04	6
4	56820	(000000-	) Fitting, Hyd, E90, Jm06/Om06	1
5	56690	(000000-	) Fitting, Hyd, Str, Jm06/Om06	1
6	394435	(000000-001060	) Valve, Hyd Cntrl Sol 18s26g3000 (Replaced by 396723)	1
7	34390	(000000-	) Fitting, Hyd, Tee, Jm04/Jm04/Om04	1
8	395974	(000000-	) Fitting, Hyd, E90, Om04/Om04	1
9	42260	(000000-	) Fitting, Hyd, Str, Jm12/Om12	1
10	44868	(000000-	) Fitting, Hyd, E90, Jm08/Om08	1
11	44869	(000000-	) Fitting, Hyd, Str, Jm08/Om08	2
12	55586	(000000-	) Fitting, Hyd, Str, Jm04/Om04	2
13	55685	(000000-	) Fitting, Hyd, Str, Jm04/Om06	1
14	57988	(000000-	) Fitting, Hyd, Tee, Jm04/Jm04/Jf04	1
15	77575	(000000-	) Switch	1
16	06961	(000000-	) Screw, Hex, M10 X 1.5 X 20, 8.8	4
17	32492	(000000-	) Washer, Flt, .38 Std	4
18	387281	(000000-	) Hose, Hyd,Tc 04, Jf04str /Jf04e90 , 20.0	2
19	395988	(000000-	) Fitting, Hyd, Tee, Jm06/Jm06bkhd/Jm06	1
20	396209	(000000-001060	) Hose, Hyd,Tc 08, Jf08str /Jf08e90 , 54.0	2
21	395989	(000000-	) Fitting, Hyd, Tee, Jm12/Jm12bkhd/Jm12	1
22	47513	(000000-	) Fitting, Hyd, E45, Jm08/Om10	2
23	396214	(000000-	) Hose, Hyd,Tc 04, Jf04str /Jf04str , 120.0	1
24	396400	(000000-	) Hose, Hyd,Med08, Jf08str /Jf08e90 , 84.0	1
25	65210	(000000-	) Hose, Hyd,Tc 04, Jf04str /Jf04str , 118.0	1
26	396212	(000000-001060	) Hose, Hyd,Tc 06, Jf06str /Jf06e90 , 37.0	1
27	396215	(000000-	) Hose, Hyd,Tc 12, Jf12str /Jf12e90 , 40.0	1
28	396237	(000000-	) Hose, Hyd,Med06, Jf06str /Jf06e90l, 55.0	1
29	76837	(000000-	) Fitting, Hyd, Tee, Jm06/Jm06/Jm06	1
30	365006	(000000-	) Hose, Hyd,Tc 04, Jf04str /Jf04e90 , 56.0	2
31	396923	(001061-	) Valve, Hyd, Sol (W/ Right Side Brush) (See Breakdown)	1
31	396924	(001061-	) Valve, Hyd, Sol (W/ Dual Side Brush) (See Breakdown)	1
31	396925	(001061-	) Valve, Hyd, Sol (W/ Dual Side Brush & Side Skirts) (See Breakdown)	1
31	396926	(001061-	) Valve, Hyd, Sol (W/ Right Side Brush & Side Skirts) (See Breakdown)	1
31	396927	(001061-	) Valve, Hyd, Sol (W/ Right Side Brush & Power Tilt) (See Breakdown)	1
31	396928	(001061-	) Valve, Hyd, Sol (W/ Dual Side Brush & Power Tilt) (See Breakdown)	1
31	396929	(001061-	) Valve, Hyd, Sol (W/ Dual Side Brush, Power Tilt, & Side Skirts) (See Breakdown)	1
31	396930	(001061-	) Valve, Hyd, Sol (W/ Right Side Brush, Power Tilt, & Side Skirts) (See Breakdown)	1
32	396779	(001061-	) Hose, Hyd, Tc08, Jf08str-/Jf08e90l, 56.0	2
33	396221	(001061-	) Hose, Hyd,Tc 06, Jf06str /Jf06e90 , 40.0	1
34	79447	(001322-	) Fitting, Hyd, Rst, Jm04/.036	2

**Fig. 48 - Hydraulic Main Brush Valve and Cylinders Group**

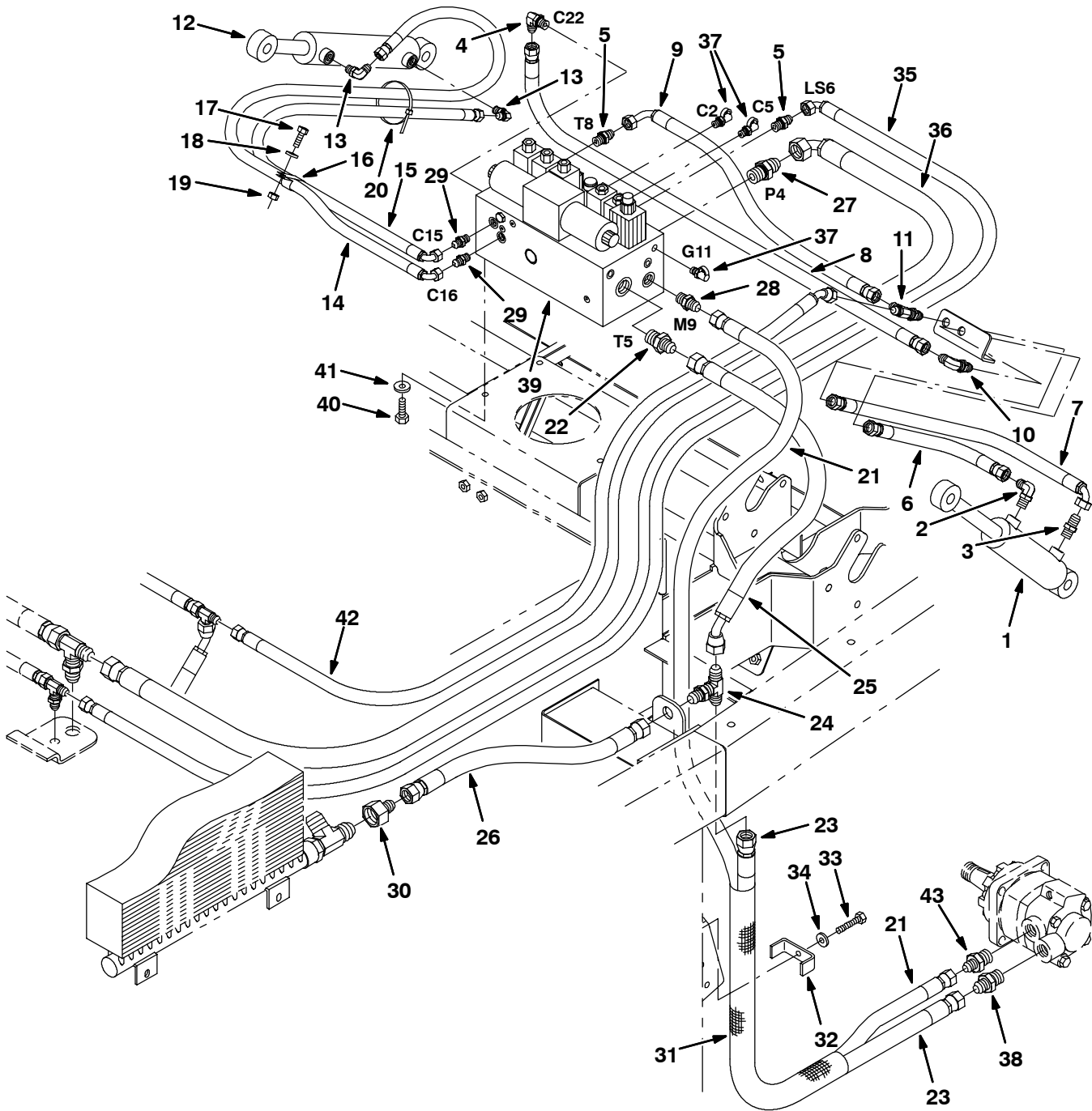


Fig. 48 - Hydraulic Main Brush Valve and Cylinders Group

Ref.	Tennant Part No.	Machine Serial Number	Description	Qty.	
1	394422	(000000-	) Cylinder, Hyd 2.0b,12.5l,05.00strk,3000	1	
2	77098	(000000-	) Fitting, Hyd, E90, Jm06/Om04	1	
3	50960	(000000-	) Fitting, Hyd, Str, Jm06/Om04	1	
4	56820	(000000-	) Fitting, Hyd, E90, Jm06/Om06	1	
5	56690	(000000-	) Fitting, Hyd, Str, Jm06/Om06	2	
6	396207	(000000-	) Hose, Hyd,Tc 06, Jf06str /Jf06str , 16.0	1	
7	71747	(000000-	) Hose, Hyd,Med06, Jf06str /Jf06e90 , 21.0	1	
8	396210	(000000-	) Hose, Hyd,Tc 06, Jf06str /Jf06str , 36.0	1	
9	396235	(000000-	) Hose, Hyd,Med06, Jf06str /Jf06e90l, 25.0	1	
10	57075	(000000-	) Fitting, Hyd, E90, Jm06/Jm06	1	
11	19757	(000000-	) Fitting, Hyd, Tee, Jm06/Jm06/Jm06bkhd	1	
12	394407	(000000-	) Cylinder, Hyd 2.0b,17.8l,08.12strk,3000	1	
13	77097	(000000-	) Fitting, Hyd, E90, Jm04/Om04	2	
14	71750	(000000-	) Hose, Hyd,Tc 04, Jf04str /Jf04e90 , 72.0	1	
15	365005	(000000-	) Hose, Hyd,Tc 04, Jf04str /Jf04e90 , 62.0	1	
16	09570	(000000-	) Clamp, Cable, Stl, 0.9x1.8 X 0.88w,1h	1	
17	39277	(000000-	) Screw, Hex, M08 X 1.25 X 25, 8.8	1	
18	32491	(000000-	) Washer, Flt, .31 Std	1	
19	08709	(000000-	) Nut, Hex, Lock, M08 X 1.25,Nl	1	
20	763113	(000000-	) Tie, Cable, 20.0l, 6.00d Max	1	
21	396208	(000000-	) Hose, Hyd,Tc 08, Jf08str /Jf08str ,106.0	1	
22	42223	(000000-	) Fitting, Hyd, Str, Jm10/Om12	1	
23	396224	(000000-	) Hose, Hyd,Med10, Jf10str /Jf10str , 65.0	1	
24	395987	(000000-	) Fitting, Hyd, Tee, Jm10/Jm10bkhd/Jm10	1	
25	396227	(000000-	) Hose, Hyd,Med10, Jf10str /Jf10e45 , 34.0	1	
26	396225	(000000-	) Hose, Hyd,Med10, Jf10str /Jf10str , 27.0	1	
27	42260	(000000-	) Fitting, Hyd, Str, Jm12/Om12	1	
28	44869	(000000-	) Fitting, Hyd, Str, Jm08/Om08	1	
29	55586	(000000-	) Fitting, Hyd, Str, Jm04/Om04	2	
30	395975	(000000-	) Fitting, Hyd, Str, Jm10/Jf16	1	
31	395804	(000000-	) Sleeve, Nyl, #27 30.0l W/ Hole	1	
32	395803	(000000-	) Bar, Hose	1	
33	32731	(000000-	) Screw, Hex, M10 X 1.5 X 50, Ss	1	
34	32988	(000000-	) Washer, Lock, Int, .38	1	
35	396213	(000000-	) Hose, Hyd,Tc 06, Jf06str /Jf06e90 ,134.0	1	
36	396216	(000000-	) Hose, Hyd,Tc 12, Jf12str /Jf12e90 ,130.0	1	
▽	37	395973	(000000-	) Fitting, Hyd, Str, Om04/Qm04	3
▲	77003	(000000-	) Seal, O-Ring, .072 X 00.35id	1	
38	42223	(000000-	) Fitting, Hyd, Str, Jm10/Om12	1	
39	394436	(000000-	) Valve, Hyd, Solenoid [11s20g3000] (See Breakdowns)	1	
40	39283	(000000-	) Screw, Hex, M10 X 1.5 X 25, 8.8	4	
41	32492	(000000-	) Washer, Flt, .38 Std	4	
42	396532	(000000-	) Hose, Hyd,Med06, Jf06str /Jf06e45 , 102.0	1	
43	42227	(000000-	) Fitting, Hyd, Str, Jm08/Om12	1	

Fig. 49 - Electrical Relay Group

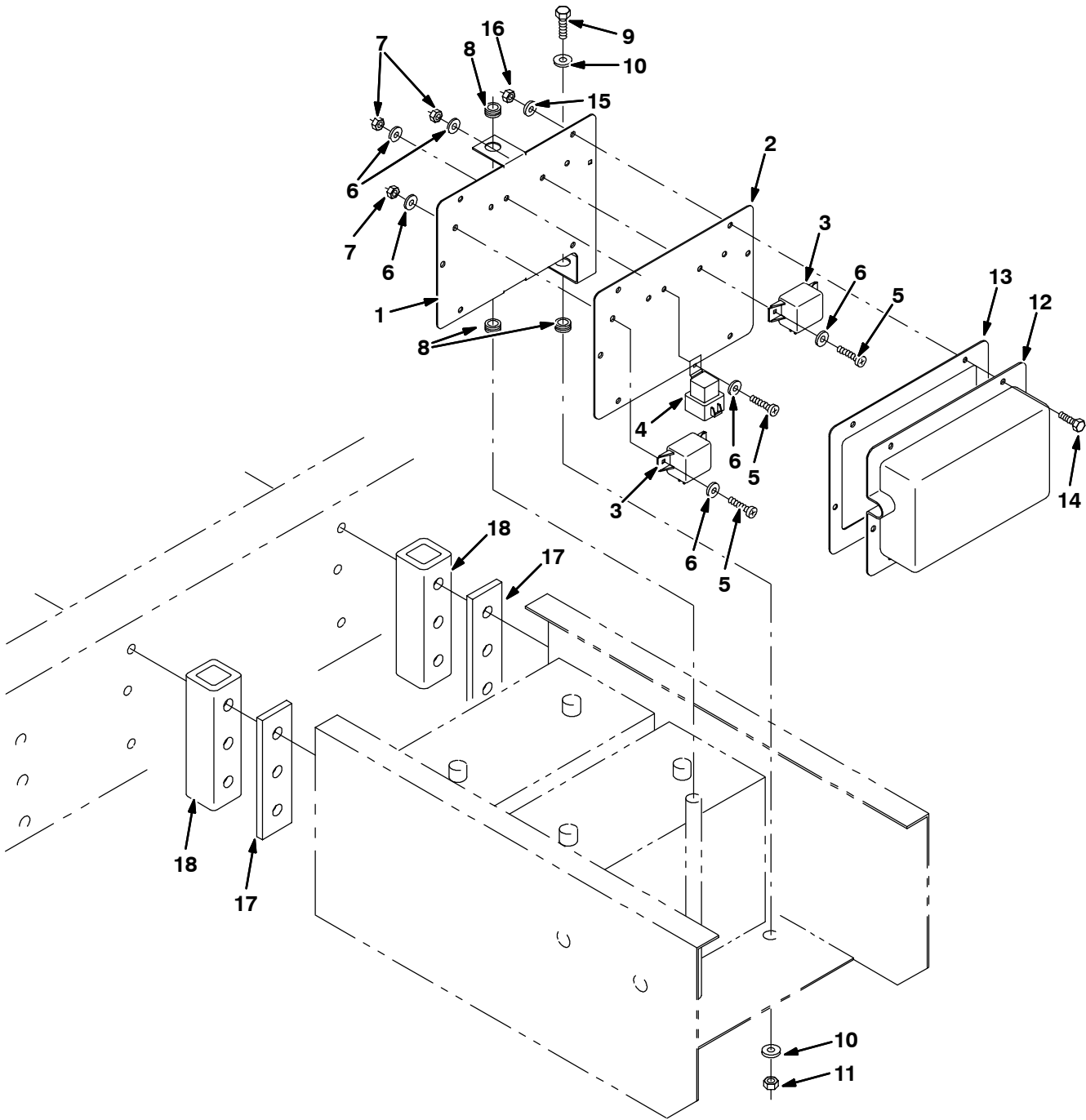




Fig. 49 - Electrical Relay Group

Ref.	Tenant Part No.	Machine Serial Number	Description	Qty.
1	395765	(000000-	) Plate, Mtg, Relay	1
2	395998	(000000-	) Plate, Isolator, Relay	1
3	34804	(000000-	) Relay, 12vdc, 75a, [Bosch]	2
4	56186	(000000-	) Relay, 12vdc, 40a, Spdt, [Potter]	1
5	06933	(000000-	) Screw, Pan, M05 X 0.8 X 16, 4.8	5
6	19066	(000000-	) Washer, Flat, #10	10
7	06549	(000000-	) Nut, Hex, Lock, M05 X 0.8, NI	5
8	10632-3	(000000-	) Grommet, Rbr, 0.50id, F/ 0.8h, .09matl	3
9	03192	(000000-	) Screw, Hex, M10 X 1.5 X 30, 8.8	1
10	32492	(000000-	) Washer, Flat, .38 Std	2
11	41430	(000000-	) Nut, Hex, Lock, M10 X 1.5, NI	1
12	396241	(000000-	) Cover, Relay	1
13	223047	(000000-	) Gasket, Cover	1
14	06943	(000000-	) Screw, Hex, M06 X 1.0 X 20, 8.8	4
15	32483	(000000-	) Washer, Flat, .25 Sae	4
16	08708	(000000-	) Nut, Hex, Lock, M06 X 1.0, NI	4
17	371736	(000000-	) Bracket, Mtg, Battery	1
18	371737	(000000-	) Spacer, Mtg, Battery	1

**Fig. 50 - Instrument Panel Group**

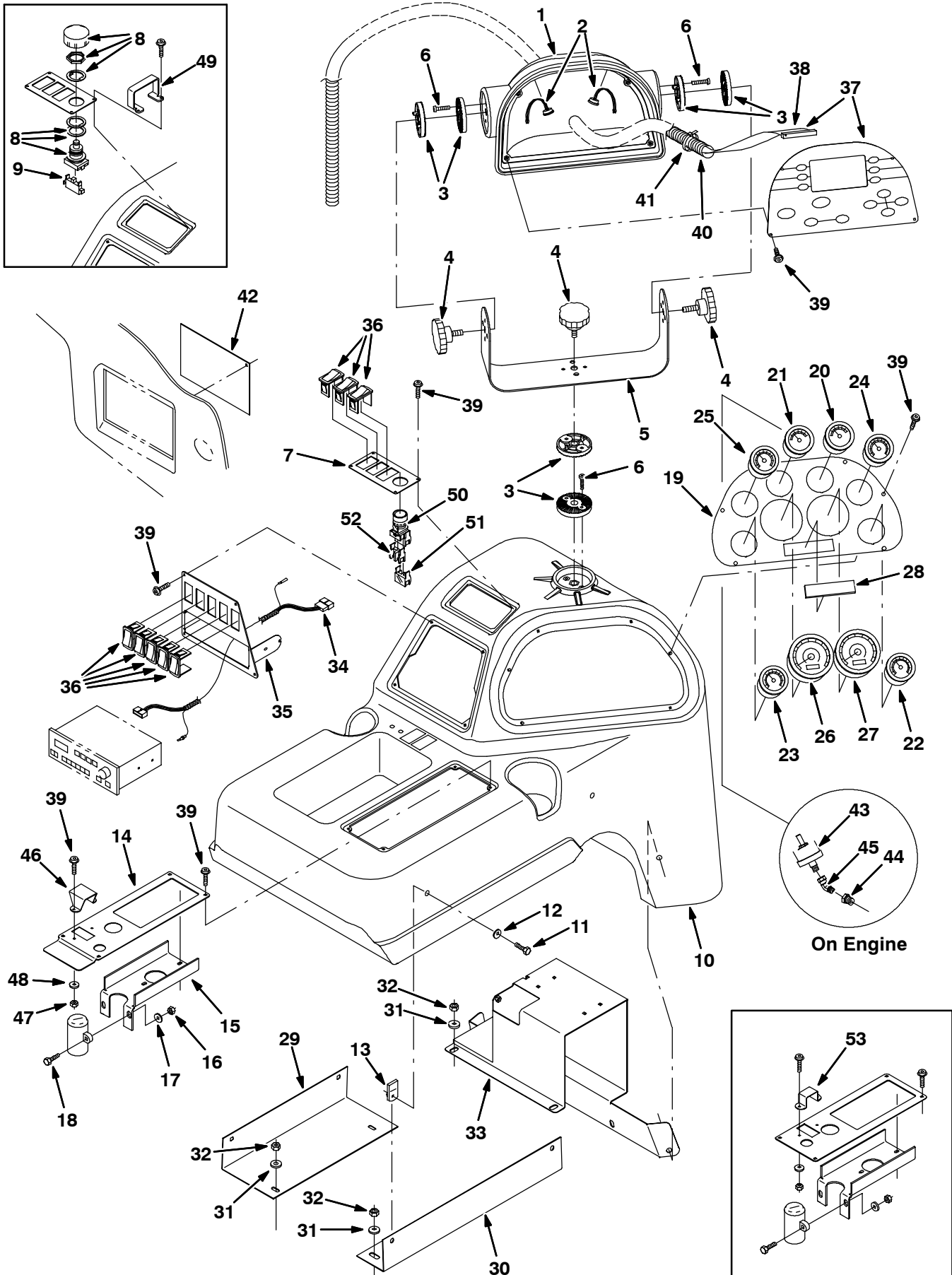


Fig. 50 - Instrument Panel Group

Ref.	Tennant Part No.	Machine Serial Number	Description	Qty.	
1	9000062	(000000-	) Kit, Replmt, Shroud, Console	1	
2	394917	(000000-	) Lamp, Panl, 12vdc	2	
3	607175	(000000-	) Serrated Pad - Pivot Handle	6	
4	12367	(000000-	) Knob Assy, Rnd, 2.37d 1.3l M12x1.75 1.6l	3	
5	395416	(000000-	) Bracket, Mtg, Cntrl	1	
6	363503	(000000-	) Screw, Pan, M 6 X 1.0 X 12, Ss	10	
7	396725	(000000-	) Bezel, Stop Switch W/ Label	1	
8	78553	(000000- xxxxxx	) Switch	1	
9	65665	(000000- xxxxxx	) Contact, Switch	1	
10	395383	(000000-	) Shroud, Cntrl, Console	1	
11	06943	(000000-	) Screw, Hex, M06 X 1.0 X 20, 8.8	6	
12	32490	(000000-	) Washer, Flat, .25 Std	6	
13	12271	(000000-	) Nut, U, M06 X 1.0	6	
14	9000189	(000000-	) Plate, Bezel, W/ Label	1	
15	395764	(000000-	) Bracket, Mtg, Cntrl, Transmission	1	
16	08709	(000000-	) Nut, Hex, Lock, M08 X 1.25,NI	2	
17	32491	(000000-	) Washer, Flat, .31 Std	2	
18	76570	(000000-	) Screw, Hex, M08 X 1.25 X 30, 8.8	2	
19	395461	(000000-	) Bezel, Gauges	1	
20	395448	(000000-	) Gauge, Fuel	1	
21	395449	(000000-	) Gauge, Press, Oil	1	
22	396295	(000000-	) Gauge, Press, Brake, Air, Dual	1	
23	396294	(000000-	) Gauge, Voltmeter, Data Link	1	
24	395452	(000000-	) Gauge, Temp, Transmission, Link, Data	1	
25	395453	(000000-	) Gauge, Temp, Coolant, Link, Data	1	
26	395454	(000000-	) Gauge, Tachometer, Link, Data	1	
27	395455	(000000-	) Gauge, Speedometer, Link, Data	1	
28	396300	(000000-	) Lamp, Warning, 12vdc, [4 Postion]	1	
29	395529	(000000-	) Bracket, Mtg, Console, Lh	1	
30	395530	(000000-	) Bracket, Mtg, Console, Rh	1	
31	32491	(000000-	) Washer, Flat, .31 Std	5	
32	08709	(000000-	) Nut, Hex, Lock, M08 X 1.25,NI	5	
33	396394	(000000-001039	) Bracket Wldt, Mtg, Console	1	
33	1002621	(001040-	) Bracket Wldt, Console	1	
34	394926	(000000-	) Harness, Radio, Jumper, [Centurion]	1	
35	396726	(000000-	) Bezel, Accssry W/ Label	1	
36	398501	(000000-	) Switch, Rocker, Hole Plug	8	
▽	37	395700	(000000-	) Panel Assy, Touch, [Centurion]	1
▲	38	396244	(000000-	) Cable, Ribbon, 26 Conductor	1
39	395566	(000000-	) Screw, Btn, M04 X 0.70 X 10, Blk, Flng	26	
40	396481	(000000-	) Conduit	1	
41	44961	(000000-	) Tie, Cable, Nyl, 14.5l .30w 4.0 Max D	2	
42	396309	(000000-	) Plate, Cover, Radio	1	
43	395457	(000000-	) Send-Unit, Oil, Press	1	
44	17414	(000000-	) Fitting, Pipe, Str, Pm04/Pf02	1	
45	24976	(000000-	) Fitting, Brs, E45, Pm02/Pf02	1	
46	9000190	(001343-	) Guard, Switch, W/ Label	1	

**STANDARD PARTS****Fig. 50 - Instrument Panel Group**

<b>Ref.</b>	<b>Tennant Part No.</b>	<b>Machine Serial Number</b>	<b>Description</b>	<b>Qty.</b>
47	02850	(000000- )	Nut, Hex, Lock, M 4 X 0.7, NI	2
48	19066	(000000- )	Washer, Flt, #10	2
49	396786	(000000- xxxxxx )	Bracket, Guard W/label	1
50	395833	( xxxxxx- )	Switch Assy, Push, [Latch, Illuminated]	1
	395835	( xxxxxx- )	Lamp, 12v, [Miniture Bayonet]	1
51	395834	( xxxxxx- )	Contact Block, Switch, N.O.	1
52	11608	( xxxxxx- )	Contacts, Switch	1
53	9000191	(000000-001342 )	Kit, Modif, Guard, Cntrl, Steering	1



**Fig. 51 - Circuit Breaker and Relay Group**

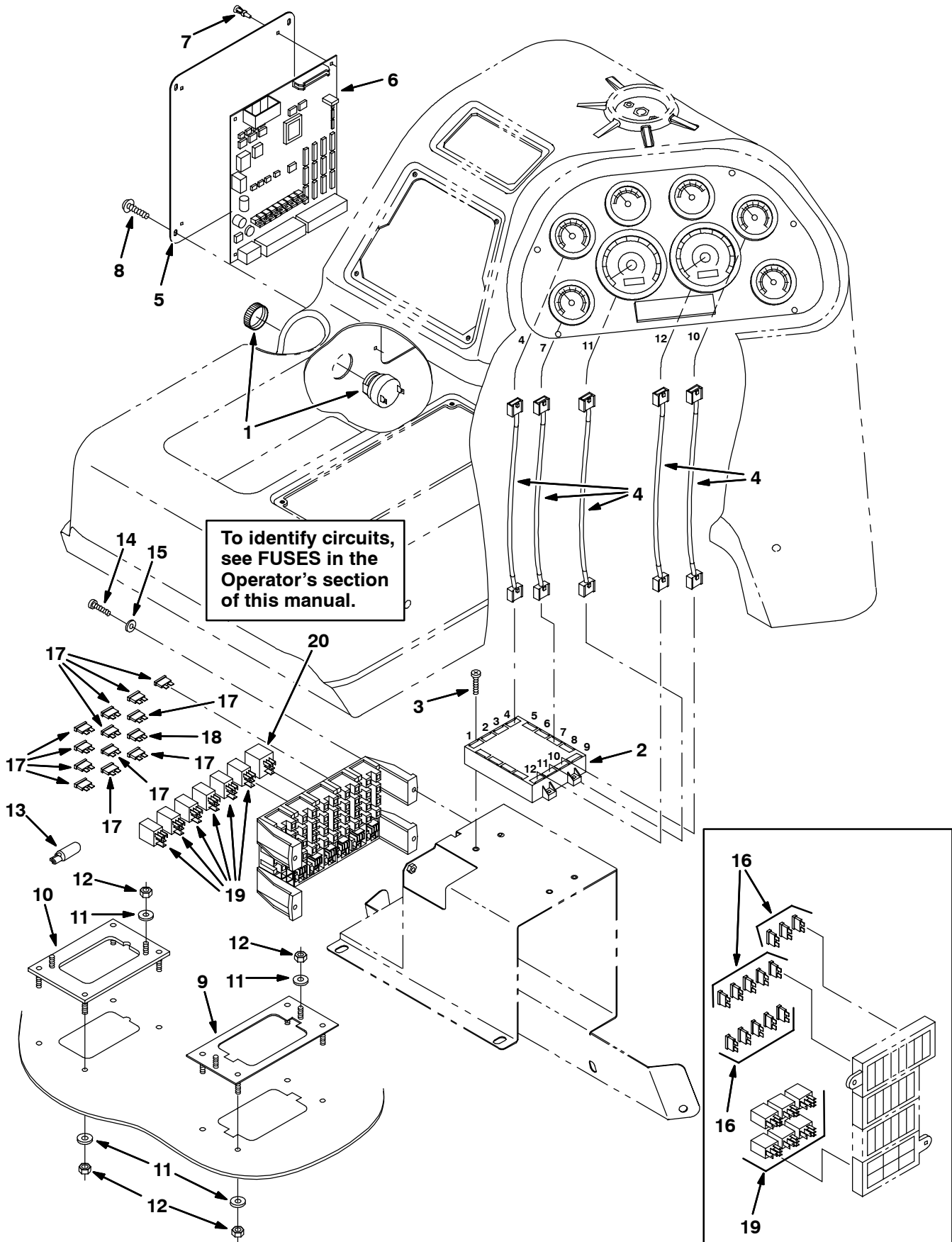


Fig. 51 - Circuit Breaker and Relay Group

Ref.	Tennant Part No.	Machine Serial Number	Description	Qty.
1	364597	(000000-	) Alarm, Audio, 04-16vdc 80dba	1
2	395460	(000000-	) Controller, Gauge, Link, Data	1
3	06933	(000000-	) Screw, Pan, M05 X 0.8 X 16, 4.8	4
4	395458	(000000-	) Harness, Link, Data, 12.0l	5
5	395590	(000000-	) Panel, Access	1
6	394929	(000000-	) Circuitboard Assy, [Centurion]	1
7	15840	(000000-	) Pin, Prong	4
8	395566	(000000-	) Screw, Btn, M04 X 0.70 X 10, Blk, Flng	4
9	396530	(000000-	) Plate, Sppt	1
10	396531	(000000-	) Plate, Sppt	1
11	32483	(000000-	) Washer, Flat, .25 Sae	24
12	08708	(000000-	) Nut, Hex, Lock, M06 X 1.0, NI	12
13	222290	(000000-	) Diode, Ele, Plug	1
14	06933	(000000-	) Screw, Pan, M05 X 0.8 X 16, 4.8	4
15	19066	(000000-	) Washer, Flat, #10	4
16	394919	(000000-001039	) Fuse, 20amp	13
17	394919	(001040-	) Fuse, 20amp	12
18	762516	(001040-	) Fuse, 30 Amp	1
19	394916	(000000-	) Relay, 12vdc, 20a, Spdt, [Mini]	6
20	56186	(001040-	) Relay, 12vdc, 40a, Spdt, [Potter]	1

Fig. 52 - Electrical Schematic (000000-001039)

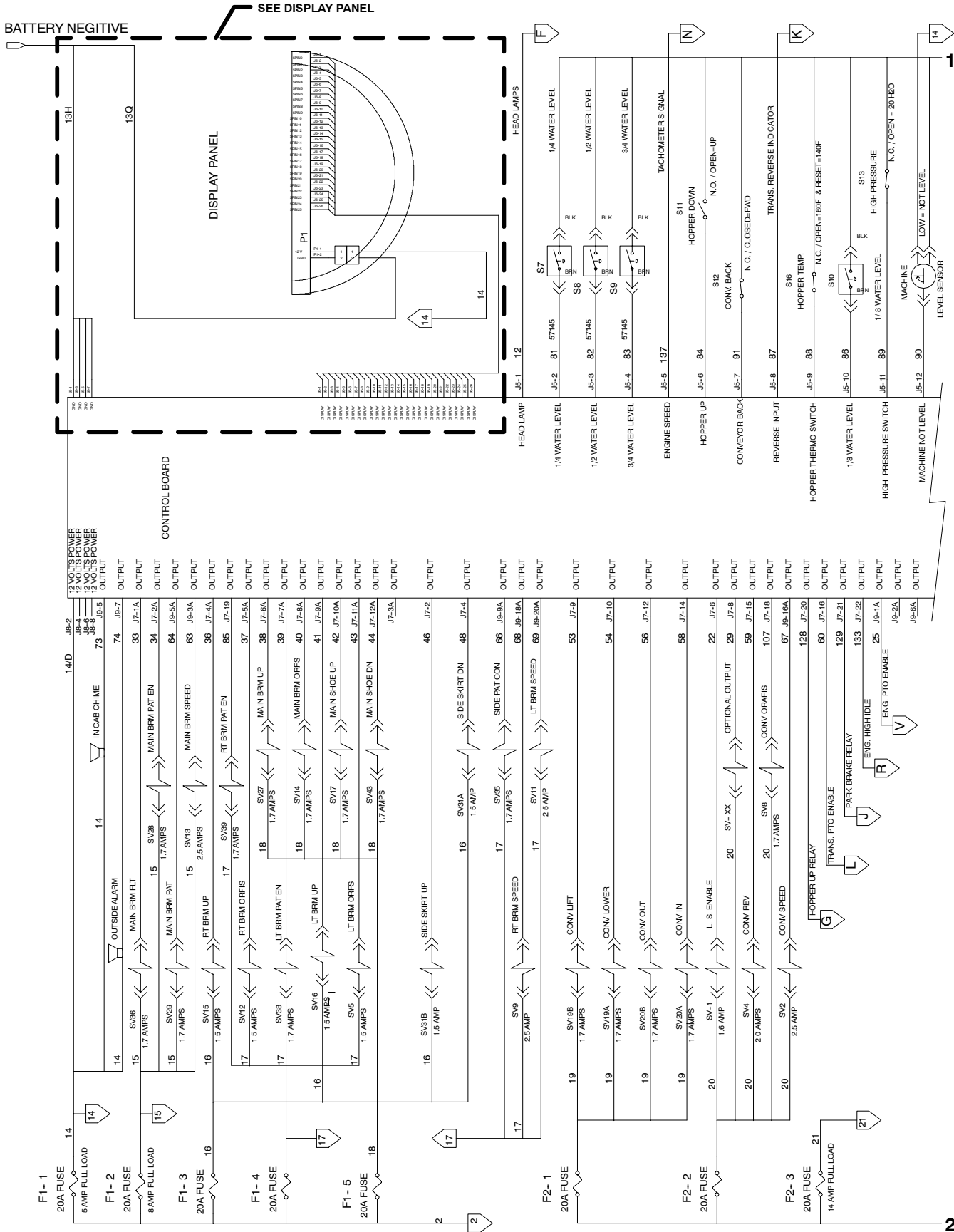
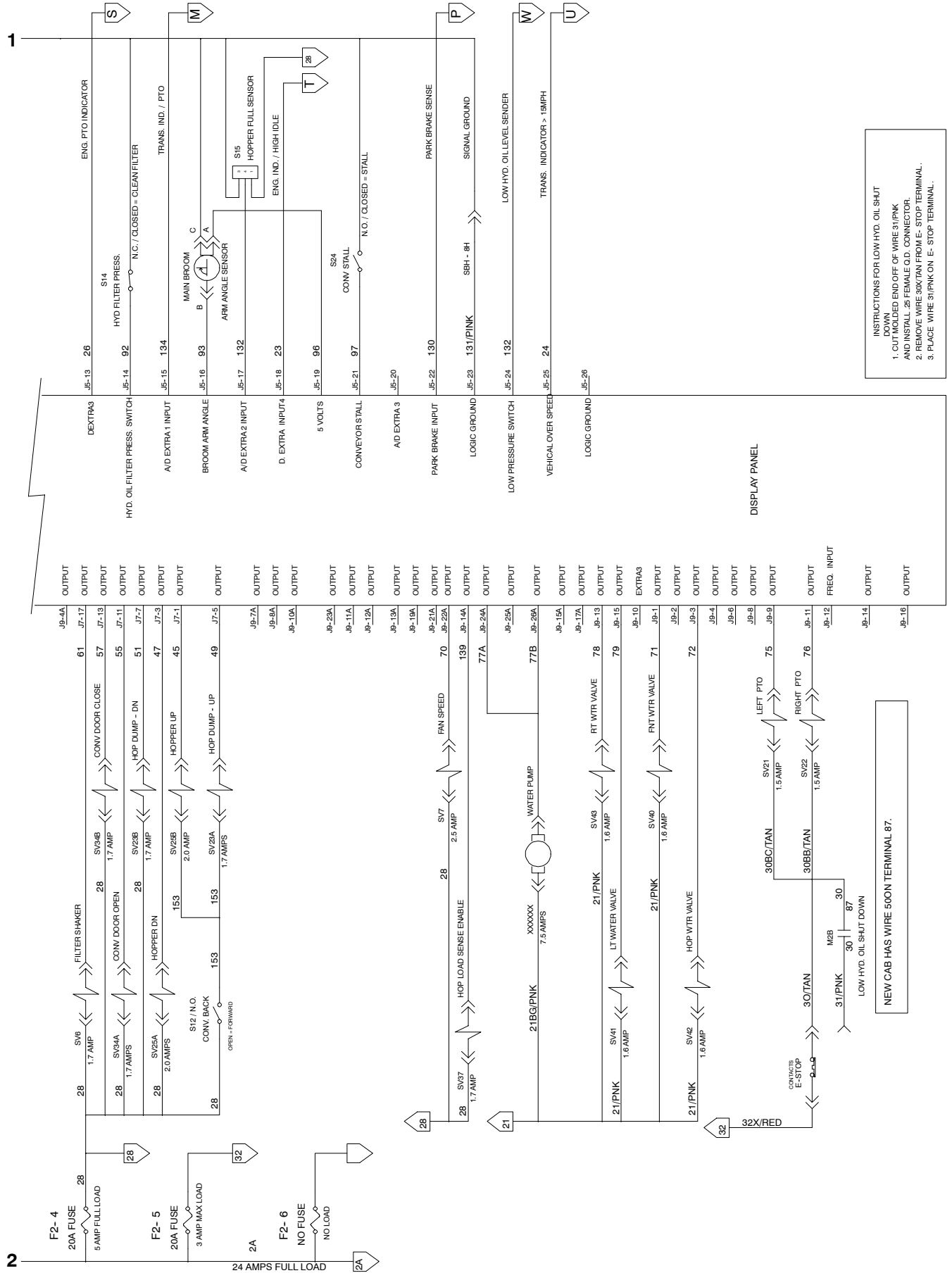




Fig. 52 - Electrical Schematic (00000-001039)



INSTRUCTIONS FOR LOW HYD. OIL SHUT DOWN  
 1. CUT MOLDED END OFF OF WIRE 31/PNK AND INSTALL .28 FEMALE Q.D. CONNECTOR.  
 2. REMOVE WIRE 30X/TAN FROM E- STOP TERMINAL.  
 3. PLACE WIRE 31/PNK ON E- STOP TERMINAL.

NEW CAB HAS WIRE 500N TERMINAL 87.

Fig. 52 - Electrical Schematic (000000-001039)

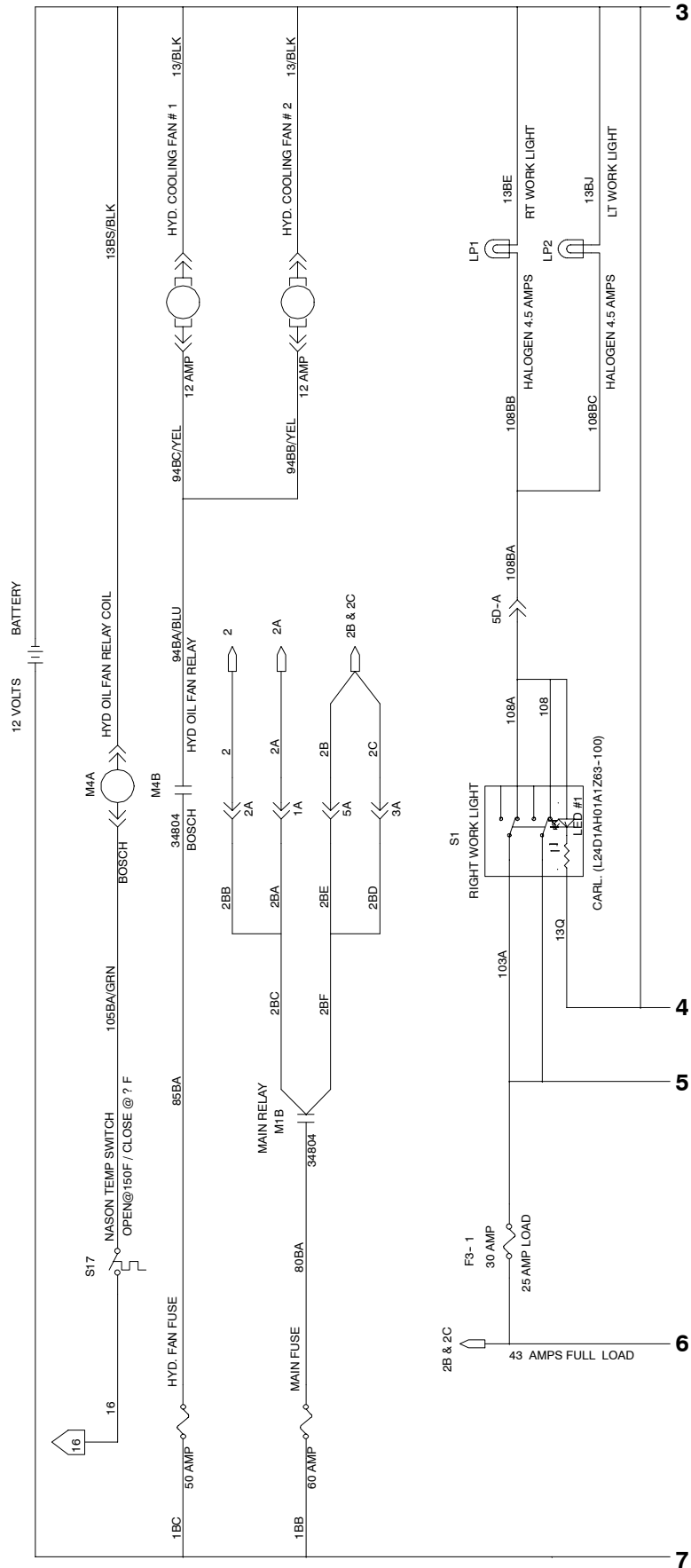


Fig. 52 - Electrical Schematic (000000-001039)

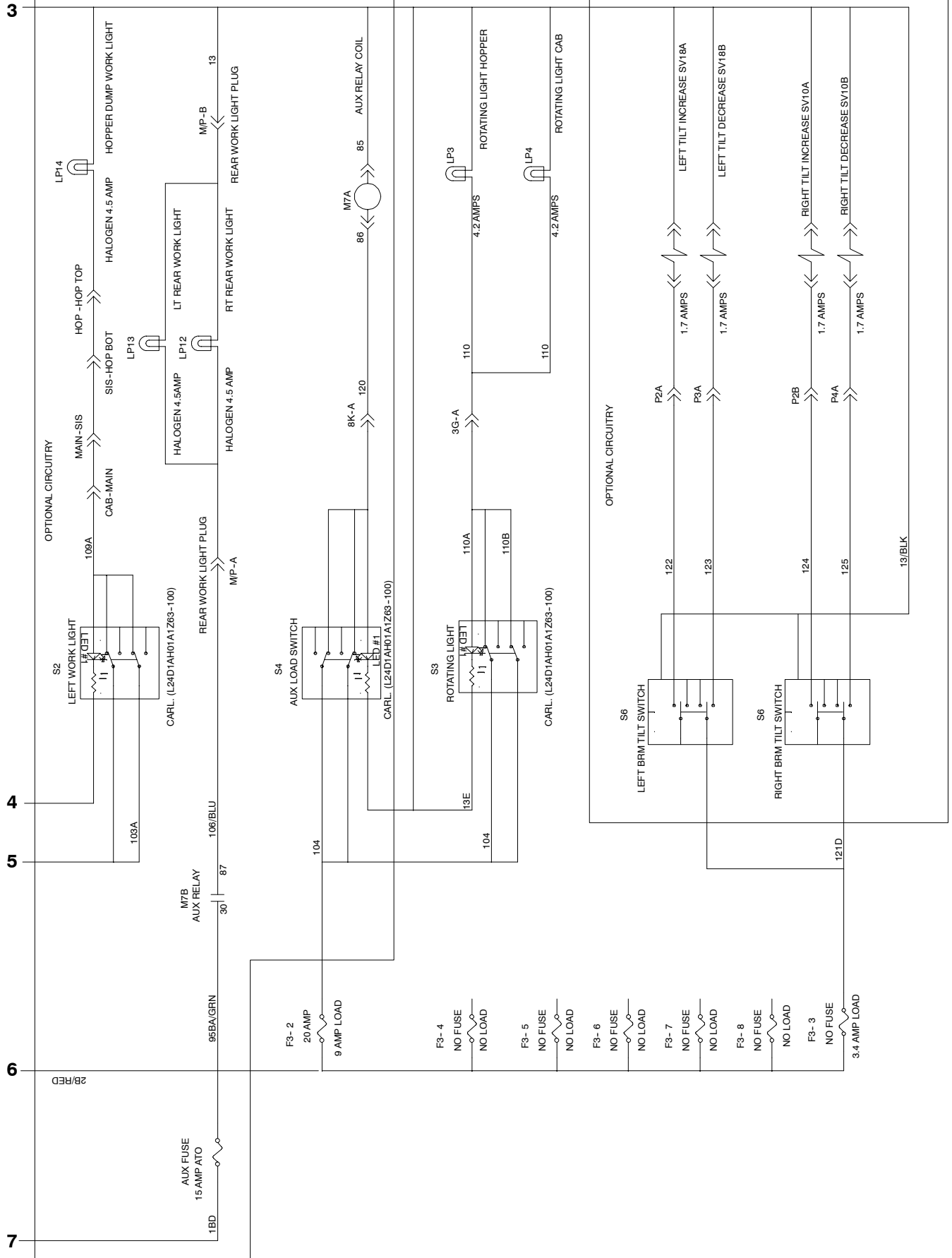


Fig. 52 - Electrical Schematic (000000-001039)

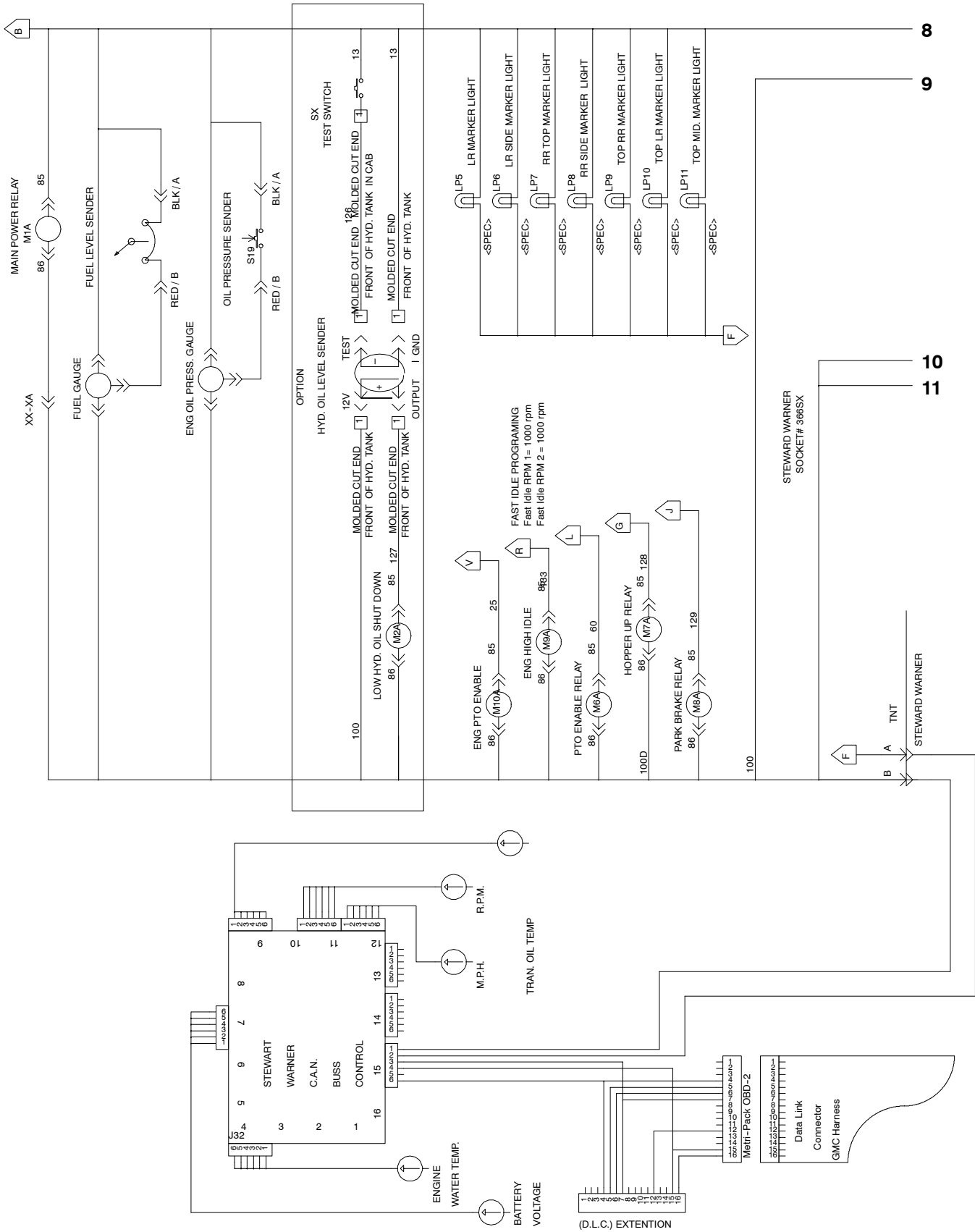


Fig. 52 - Electrical Schematic (000000-001039)

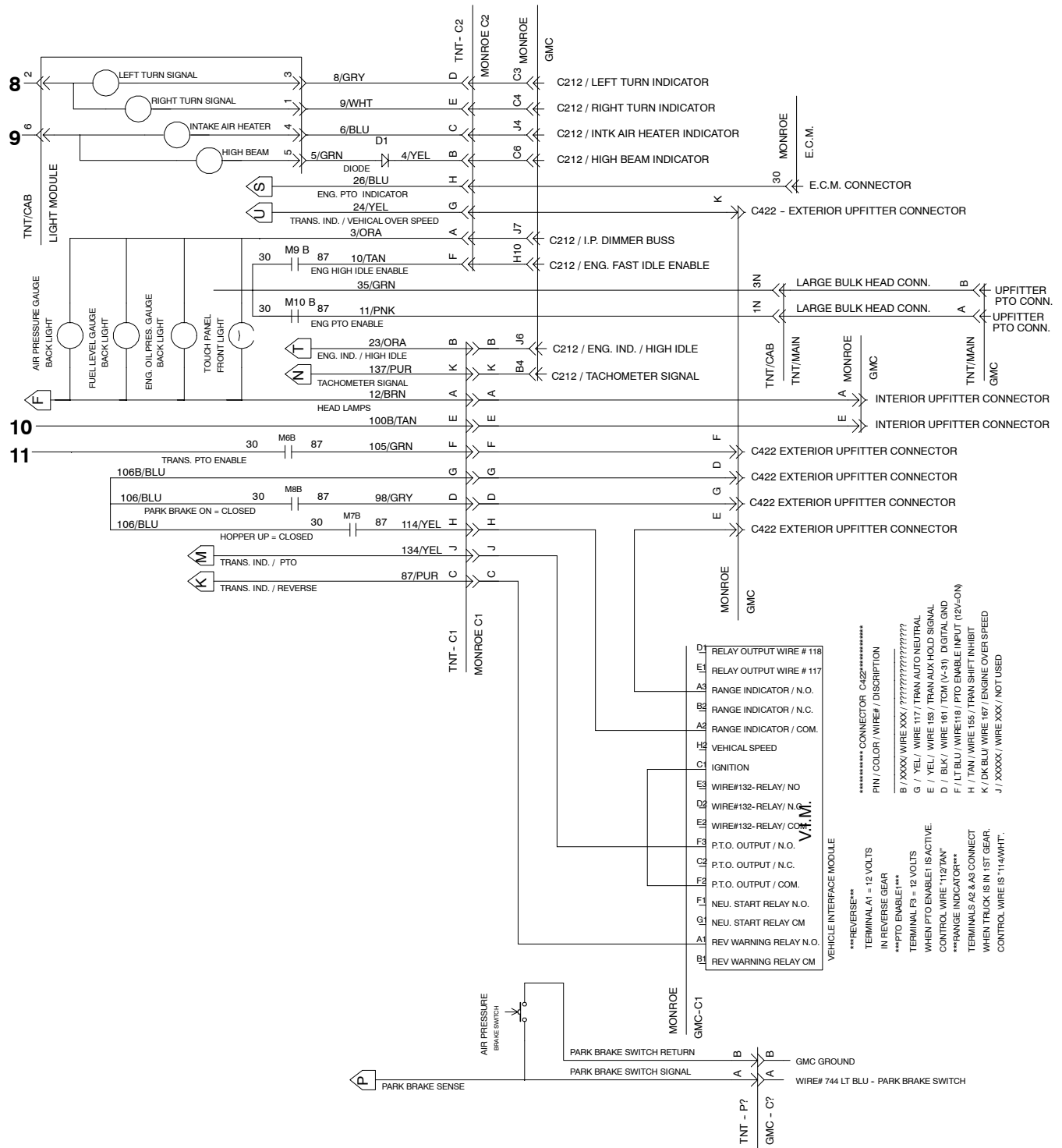


Fig. 52 - Electrical Schematic (000000-001039)

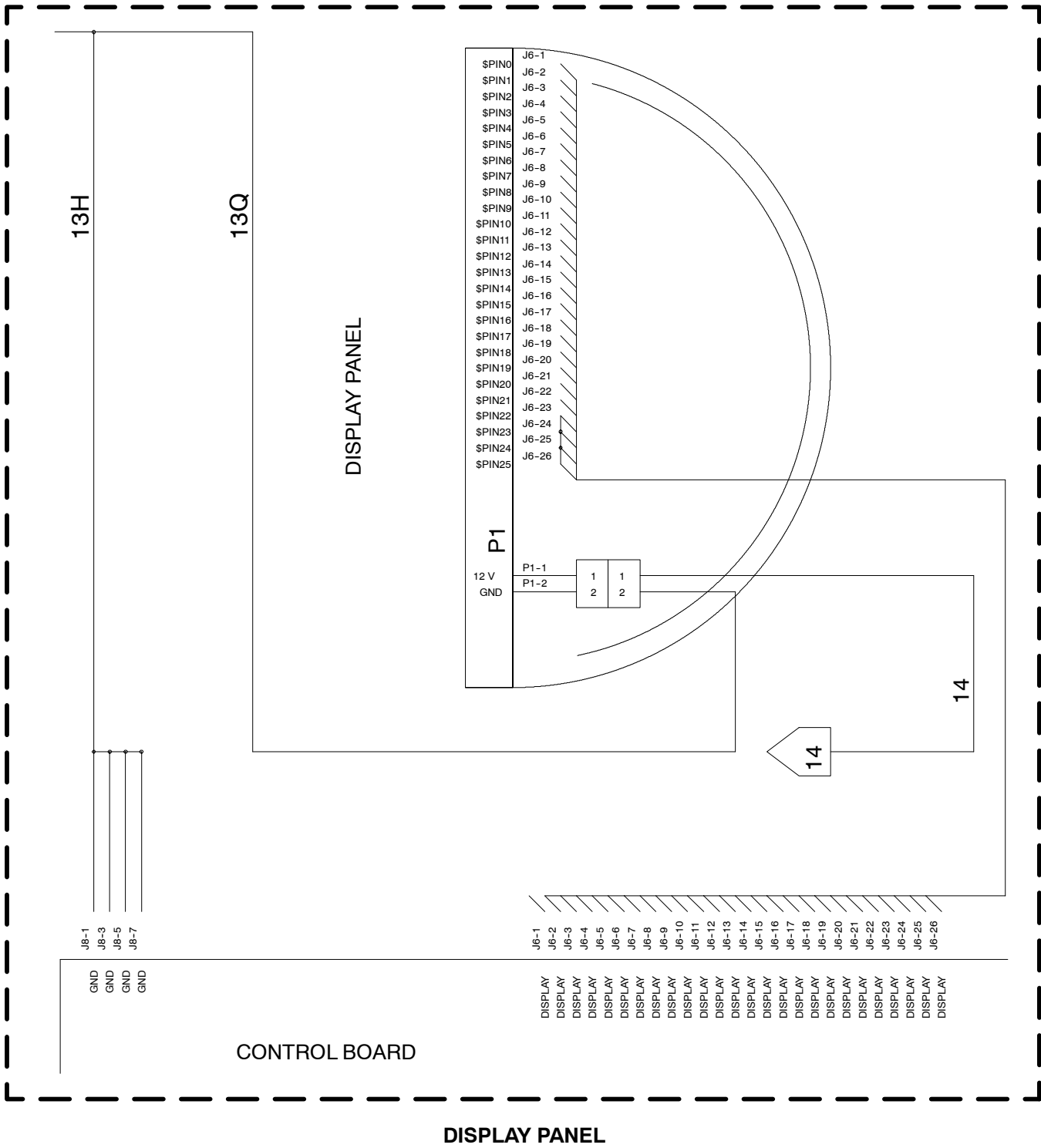




Fig. 53 - Electrical Schematic (001040- )

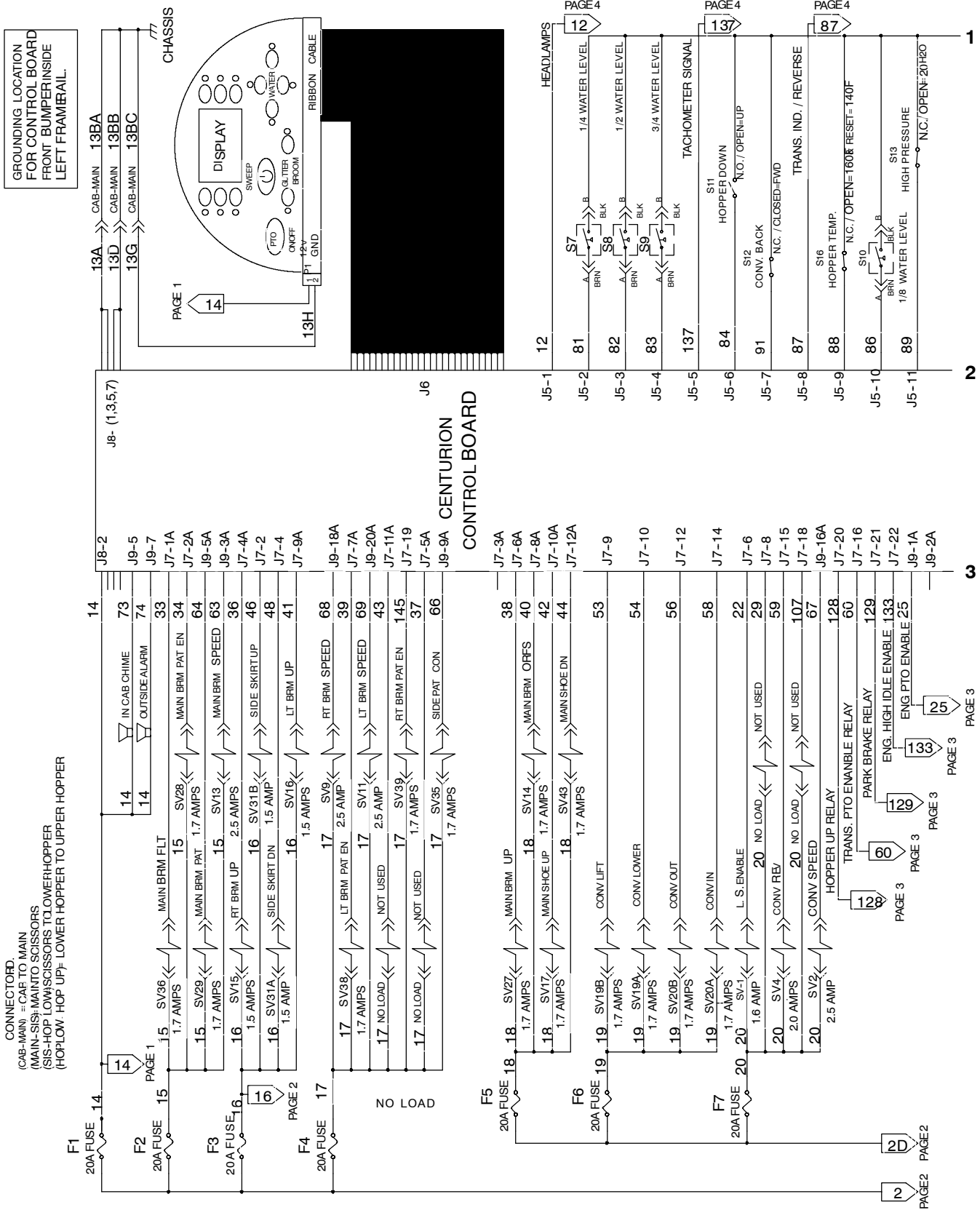
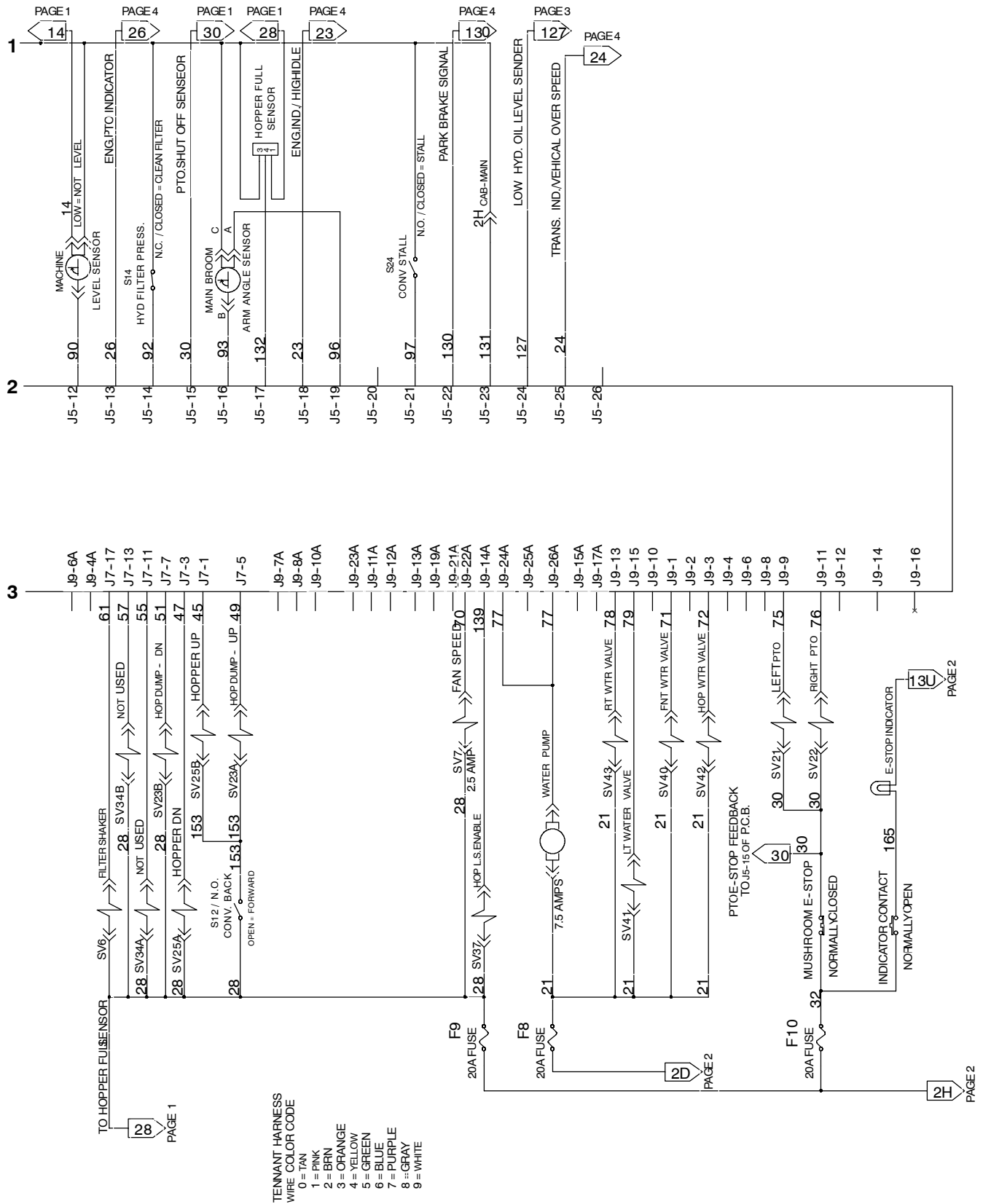




Fig. 53 - Electrical Schematic (001040- )



TEMMANT HARNESS  
WIRE COLOR CODE  
0 = TAN  
1 = PINK  
2 = BRN  
3 = ORANGE  
4 = YELLOW  
5 = GREEN  
6 = BLUE  
7 = PURPLE  
8 = GRAY  
9 = WHITE

Fig. 53 - Electrical Schematic (001040- )

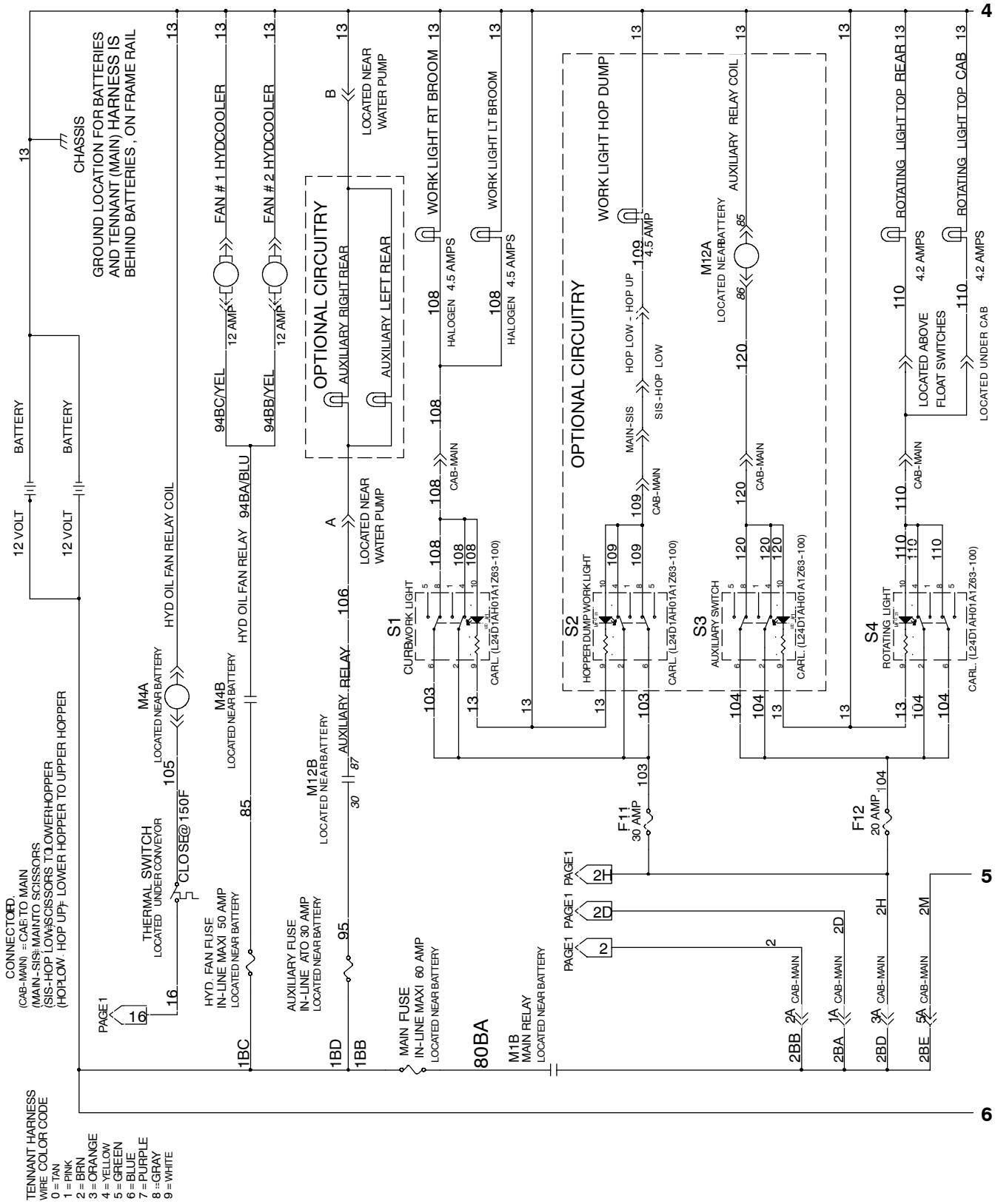
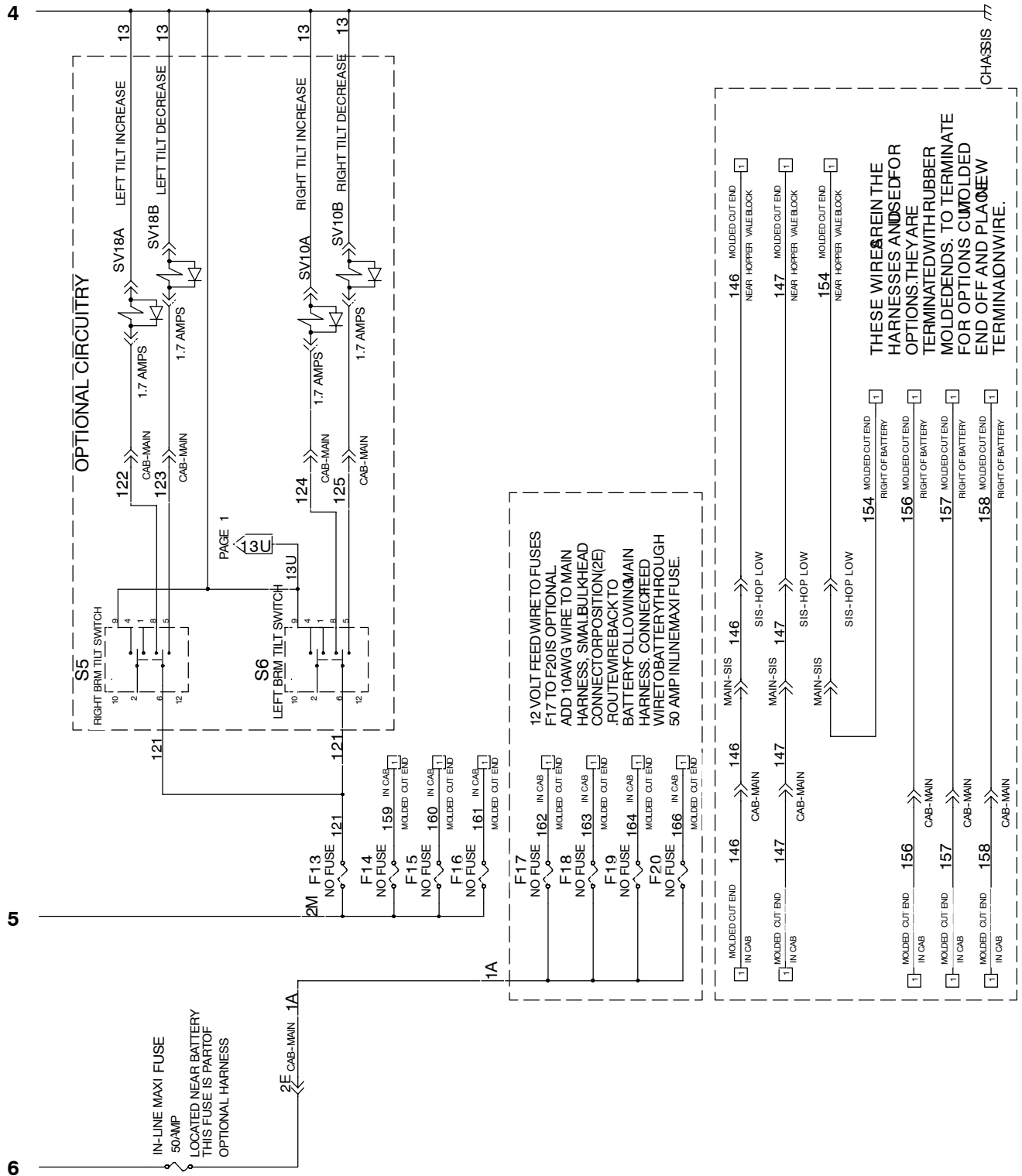
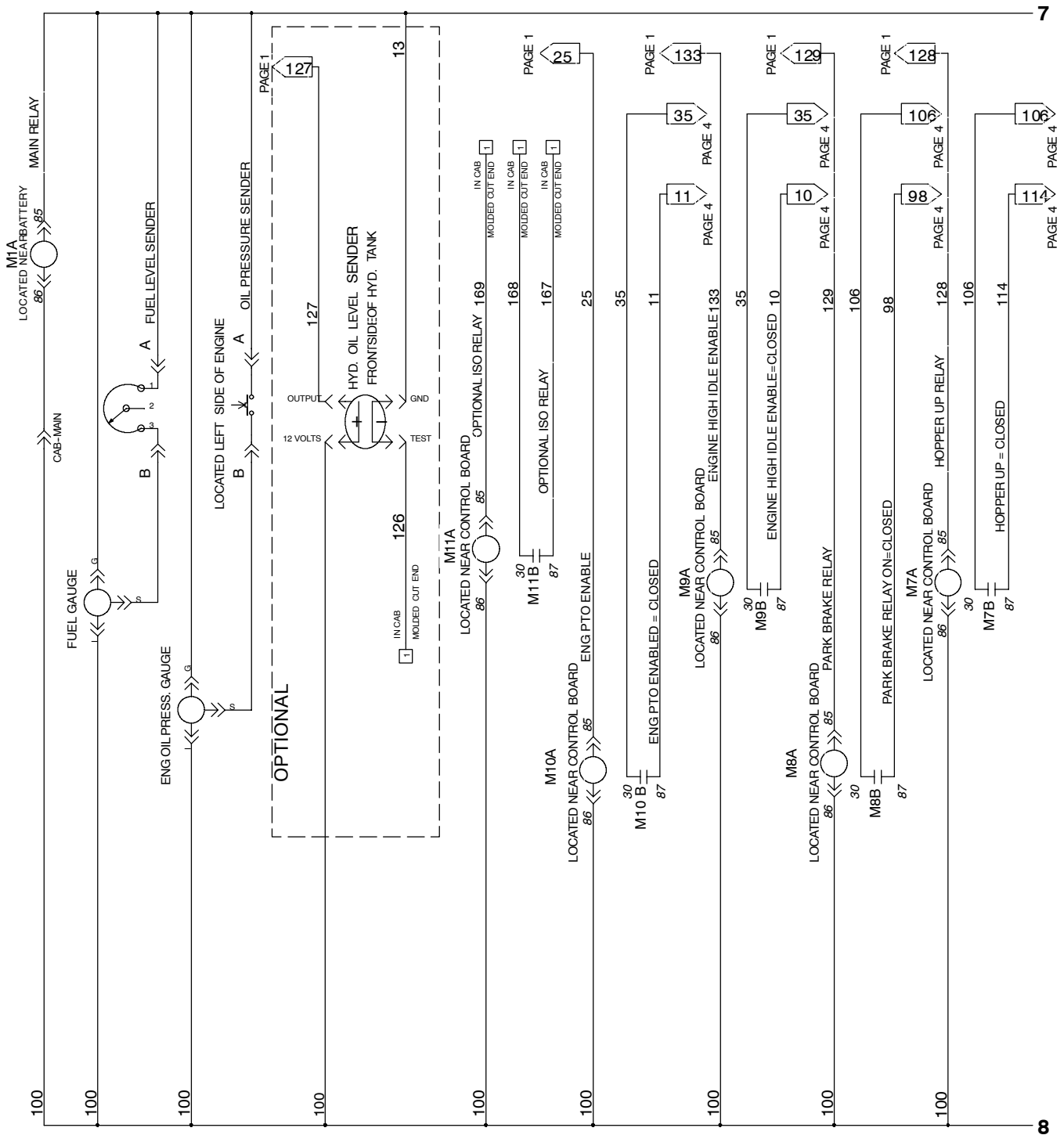


Fig. 53 - Electrical Schematic (001040- )



PAGE 2 (continued)

Fig. 53 - Electrical Schematic (001040- )

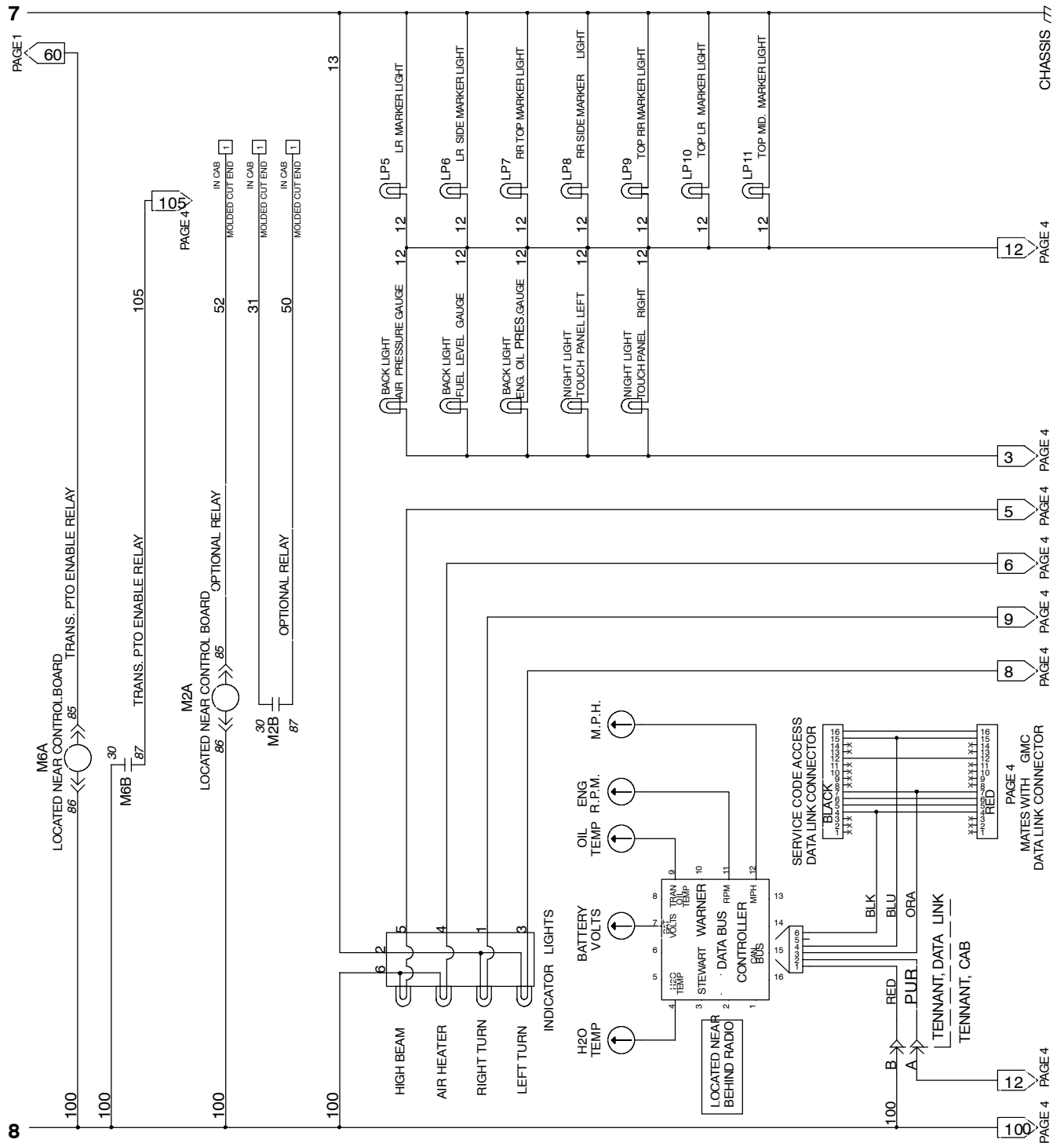


TENNANT HARNESS  
WIRE COLOR CODE

- 0 = TAN
- 1 = PINK
- 2 = BRN
- 3 = ORANGE
- 4 = YELLOW
- 5 = GREEN
- 6 = BLUE
- 7 = PURPLE
- 8 = GRAY
- 9 = WHITE

CONNECTOR D.  
(CAB-MAIN) = CAB TO MAIN  
(MAIN-SIS) = MAIN TO SCISSORS  
(SIS-HOP LOW) = SCISSORS TO LOWER HOPPER  
(HOP-LOW, HOP UP) = LOWER HOPPER TO UPPER HOPPER

Fig. 53 - Electrical Schematic (001040- )



**Fig. 53 - Electrical Schematic (001040- )**

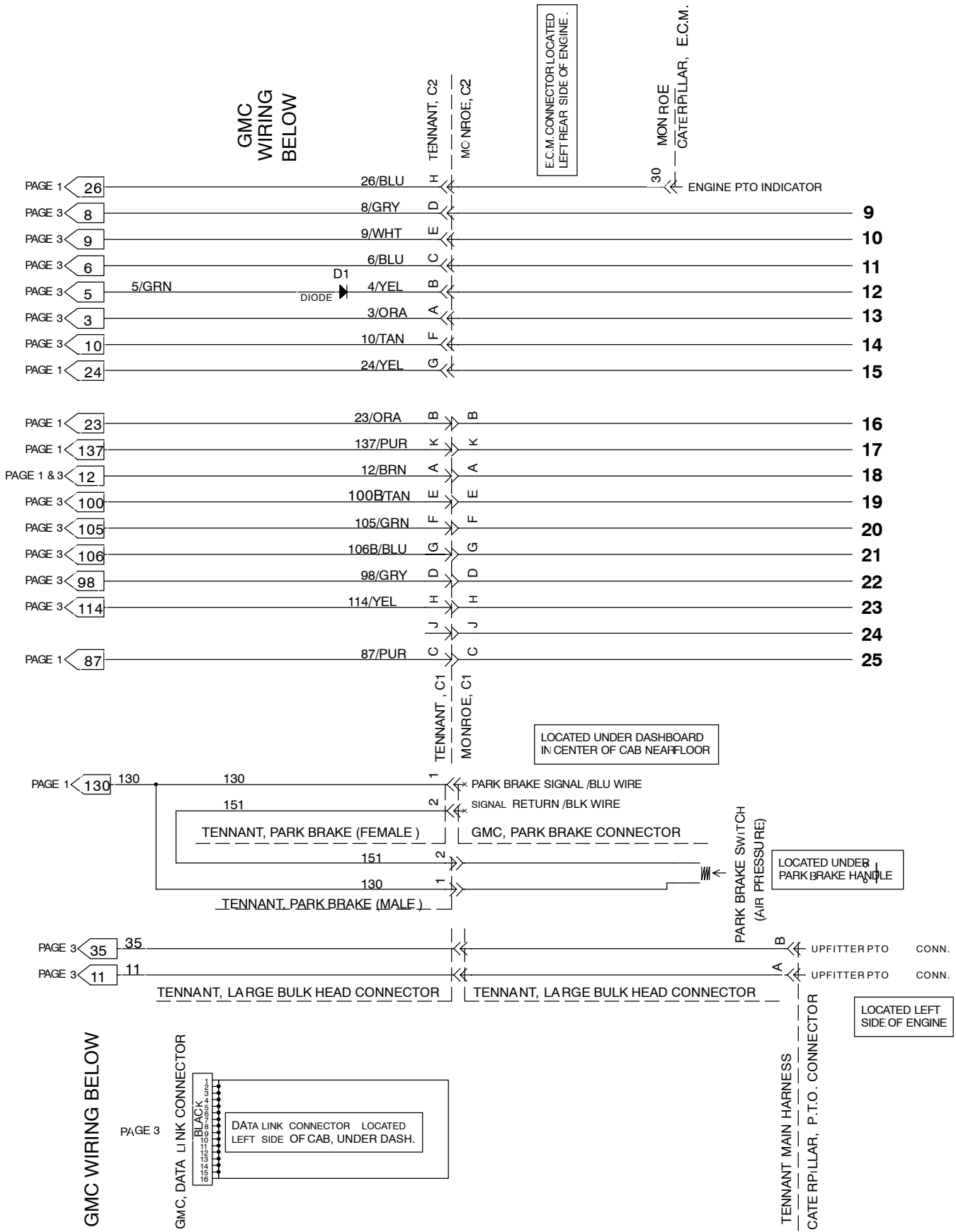


Fig. 53 - Electrical Schematic (001040- )

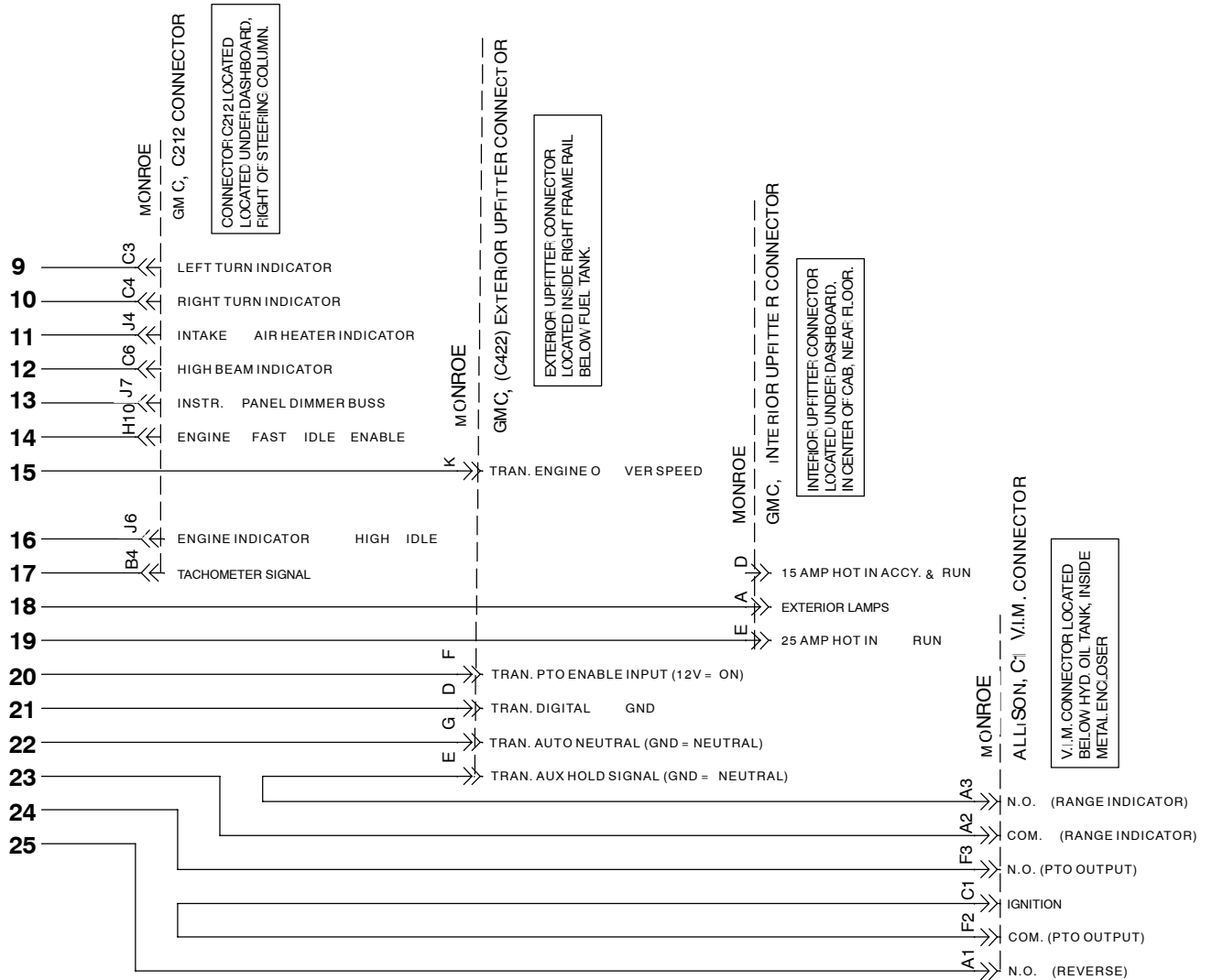
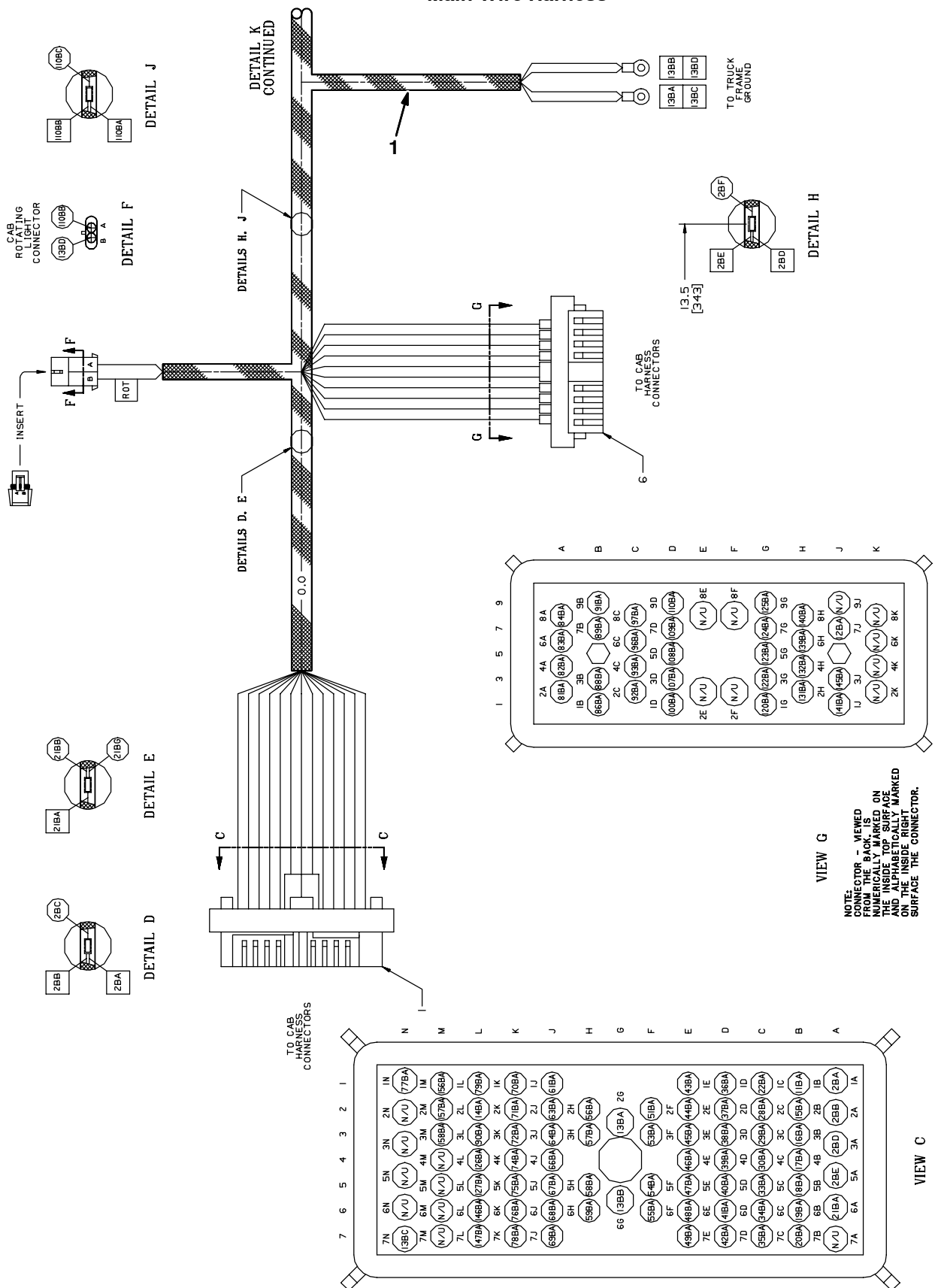


Fig. 54 - Wire Harnesses Group

## Main Wire Harness



NOTE:  
CONNECTOR - VIEWED FROM THE BACK, IS NUMERICALLY MARKED ON THE INSIDE OF SURFACE AND ALPHABETICALLY MARKED ON THE INSIDE RIGHT SURFACE THE CONNECTOR.



Fig. 54 - Wire Harnesses Group

Main Wire Harness

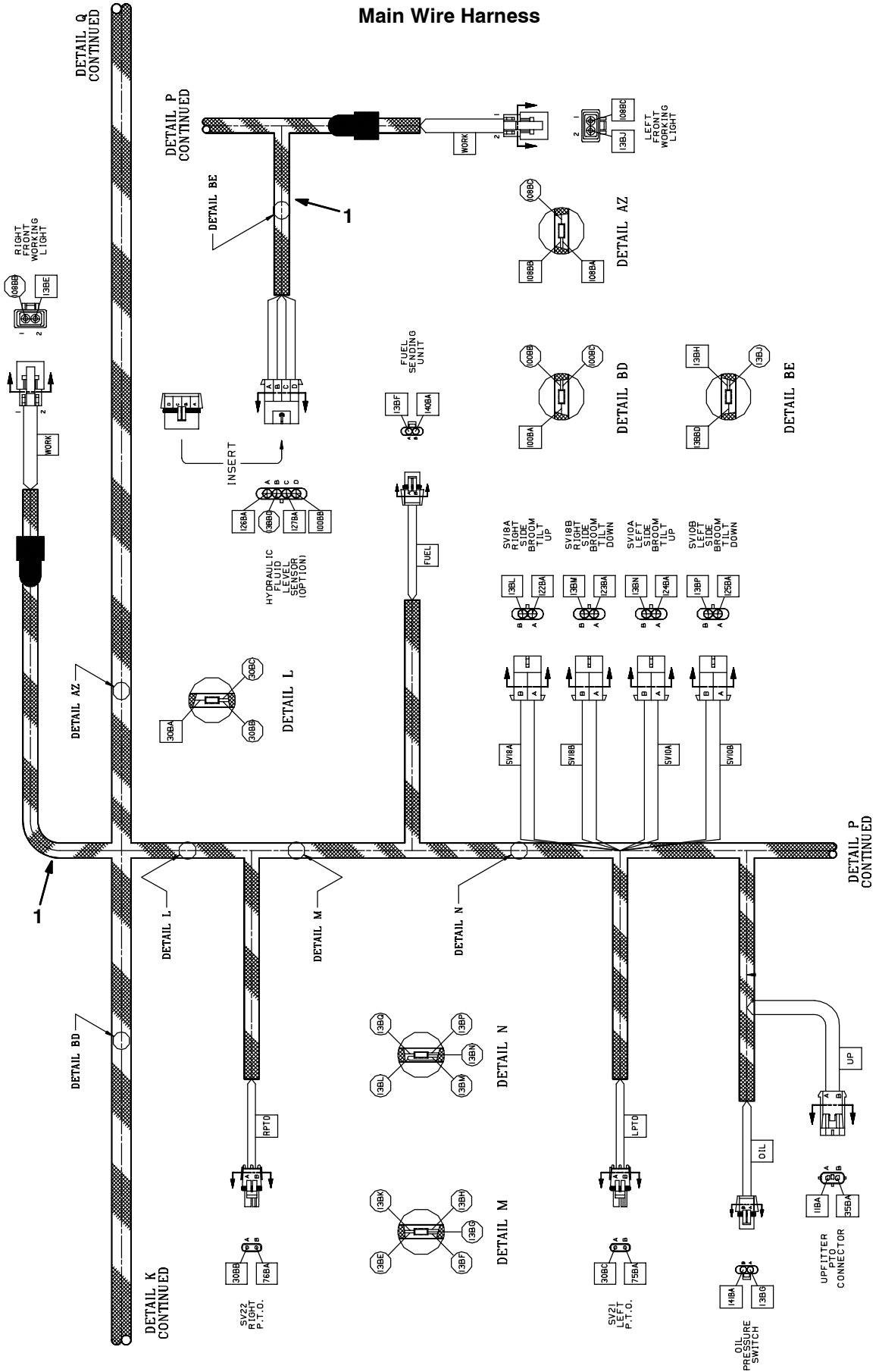
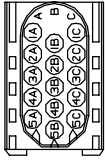
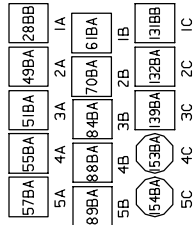


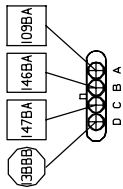
Fig. 54 - Wire Harnesses Group

Main Wire Harness

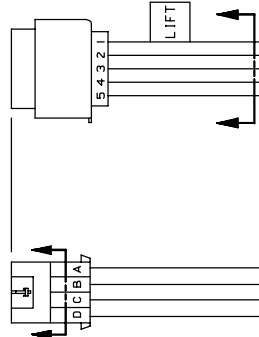


VIEW T-T  
ROTATED 90°

NOTE:  
CONNECTOR - VIEWED  
FROM THE BACK - IS  
MARKED AS INDICATED.



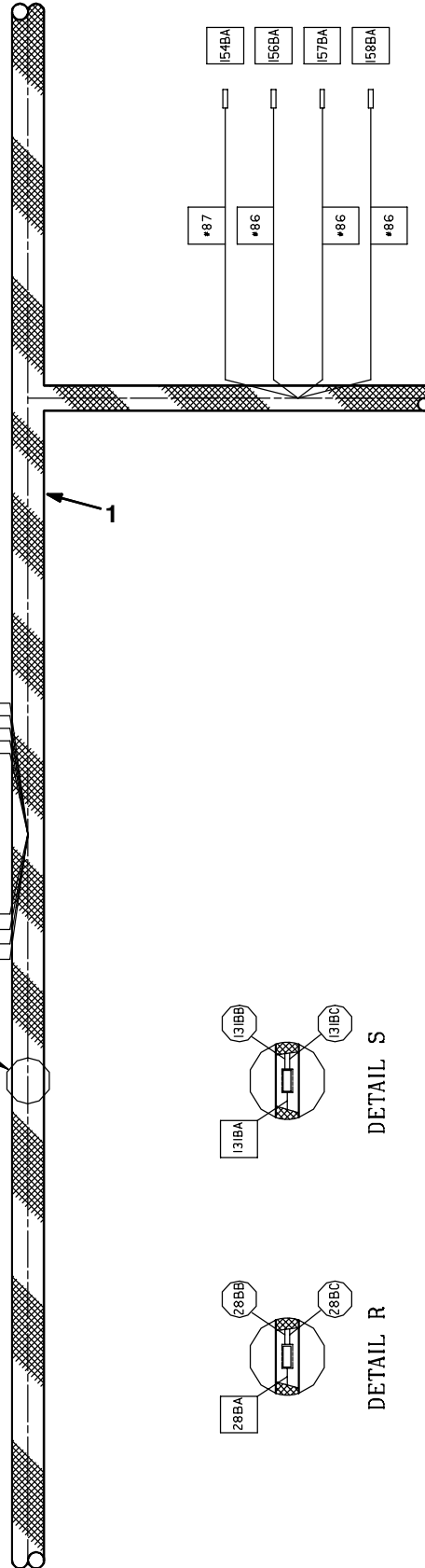
TO HOPPER  
LIFT  
HARNESS



DETAILS R. S

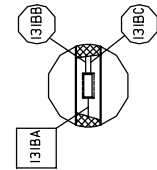
DETAIL Q  
CONTINUED

DETAIL Y  
CONTINUED

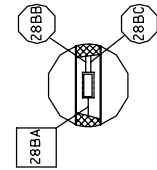


RELAY  
CONTROL  
SPECIALS  
OPTIONS

DETAIL U  
CONTINUED ON  
SHEET 4 OF 12



DETAIL S



DETAIL R

Fig. 54 - Wire Harnesses Group

Main Wire Harness

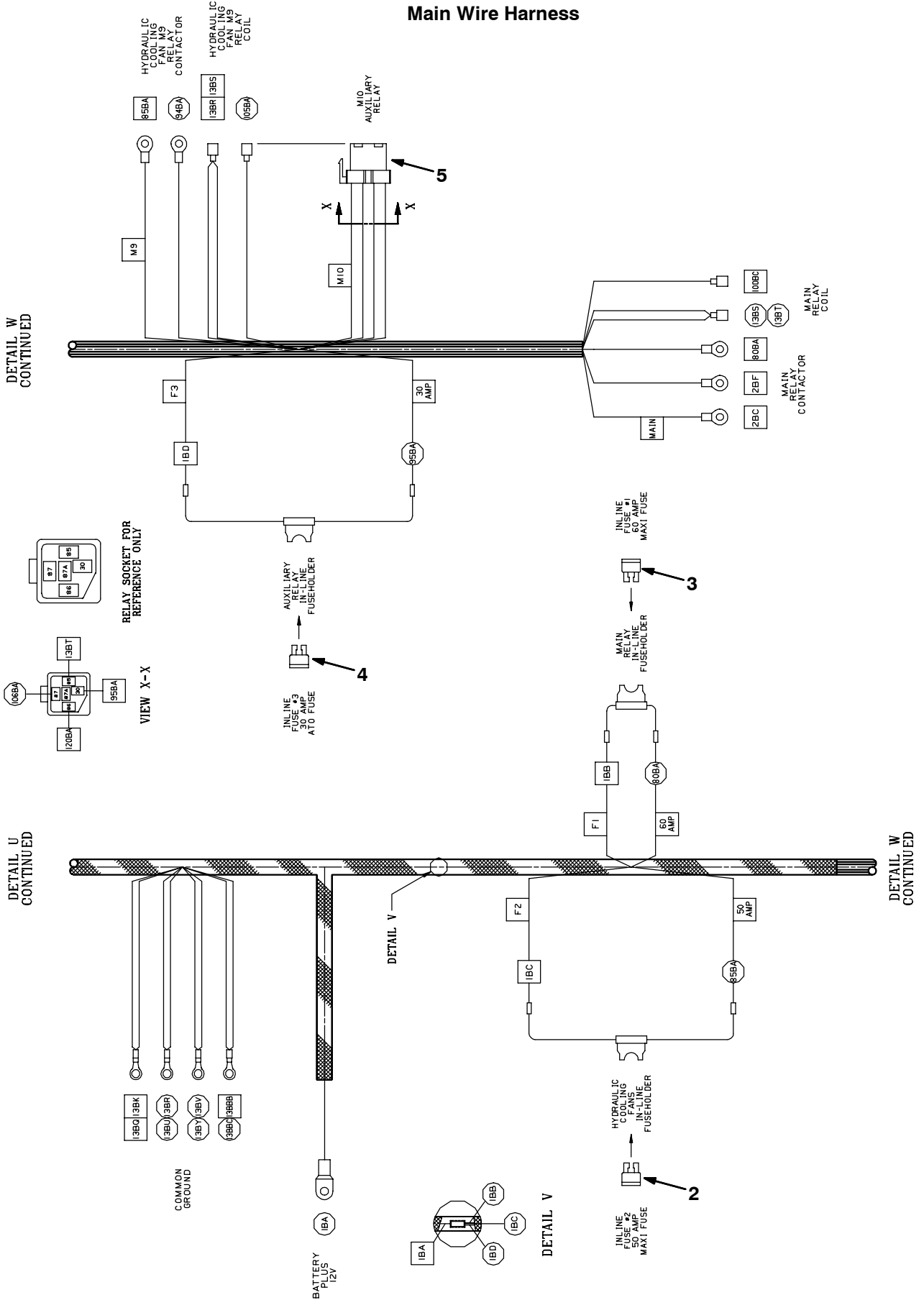


Fig. 54 - Wire Harnesses Group  
Main Wire Harness

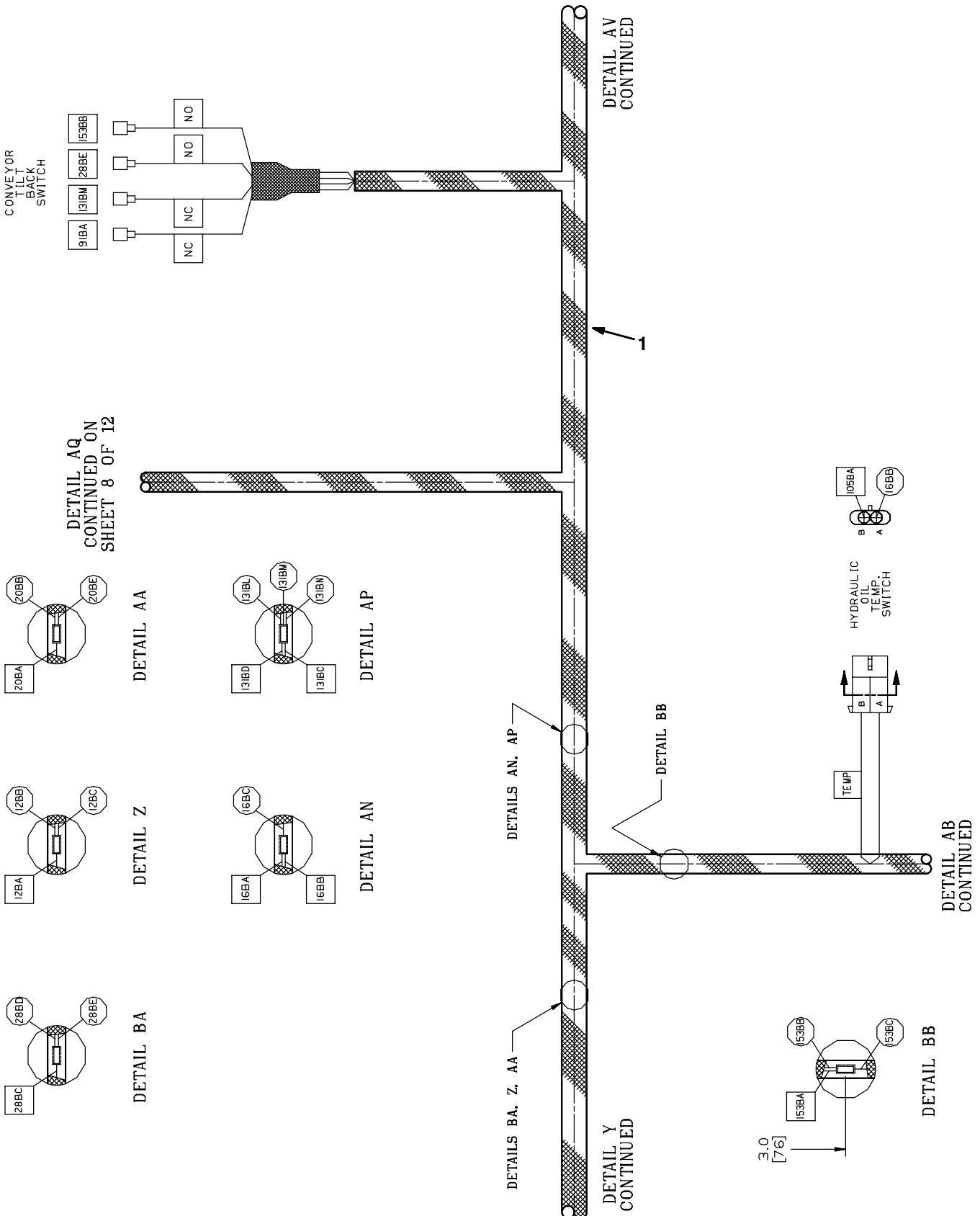


Fig. 54 - Wire Harness Group  
Main Wire Harness

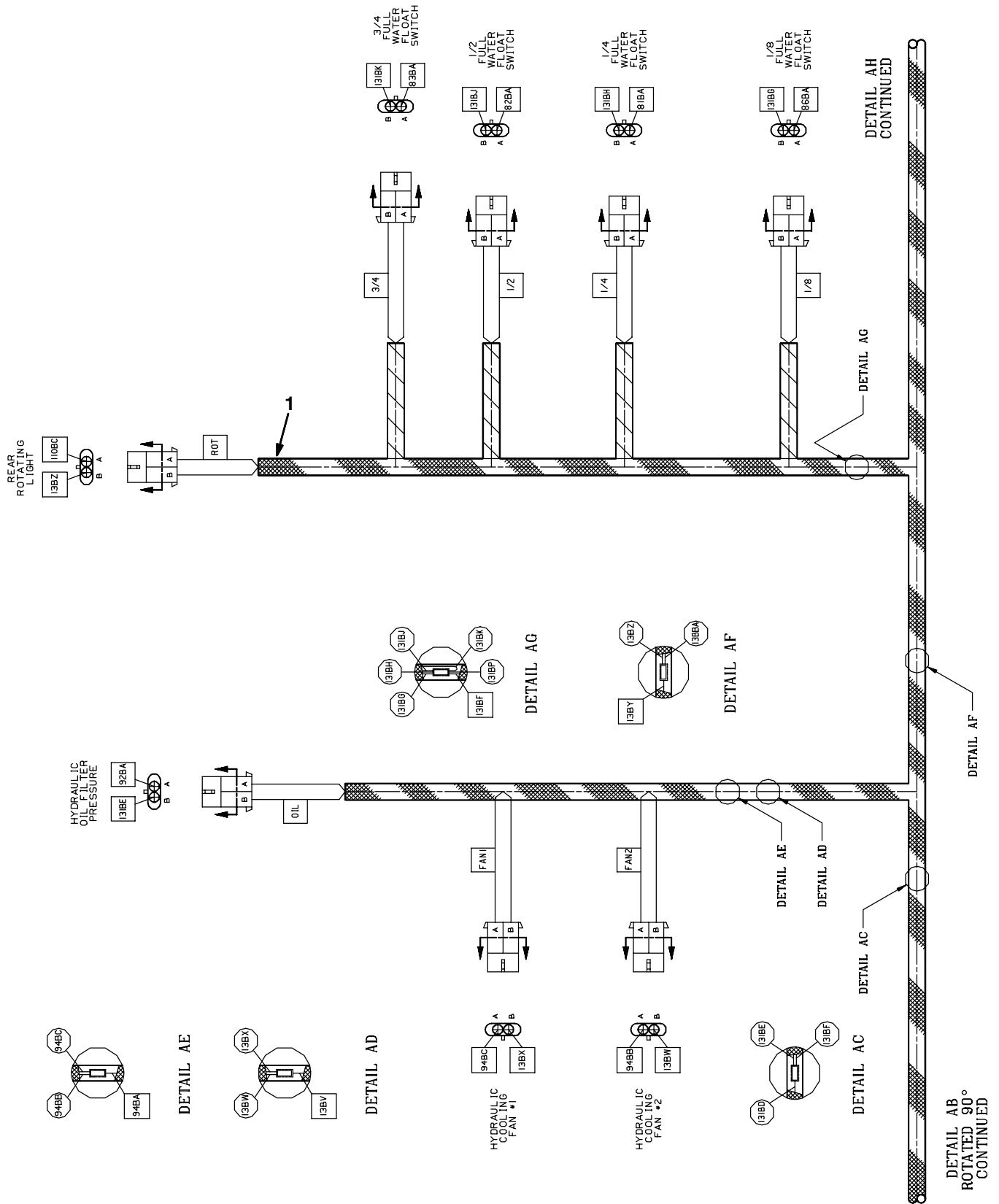


Fig. 54 - Wire Harnesses Group

Main Wire Harness

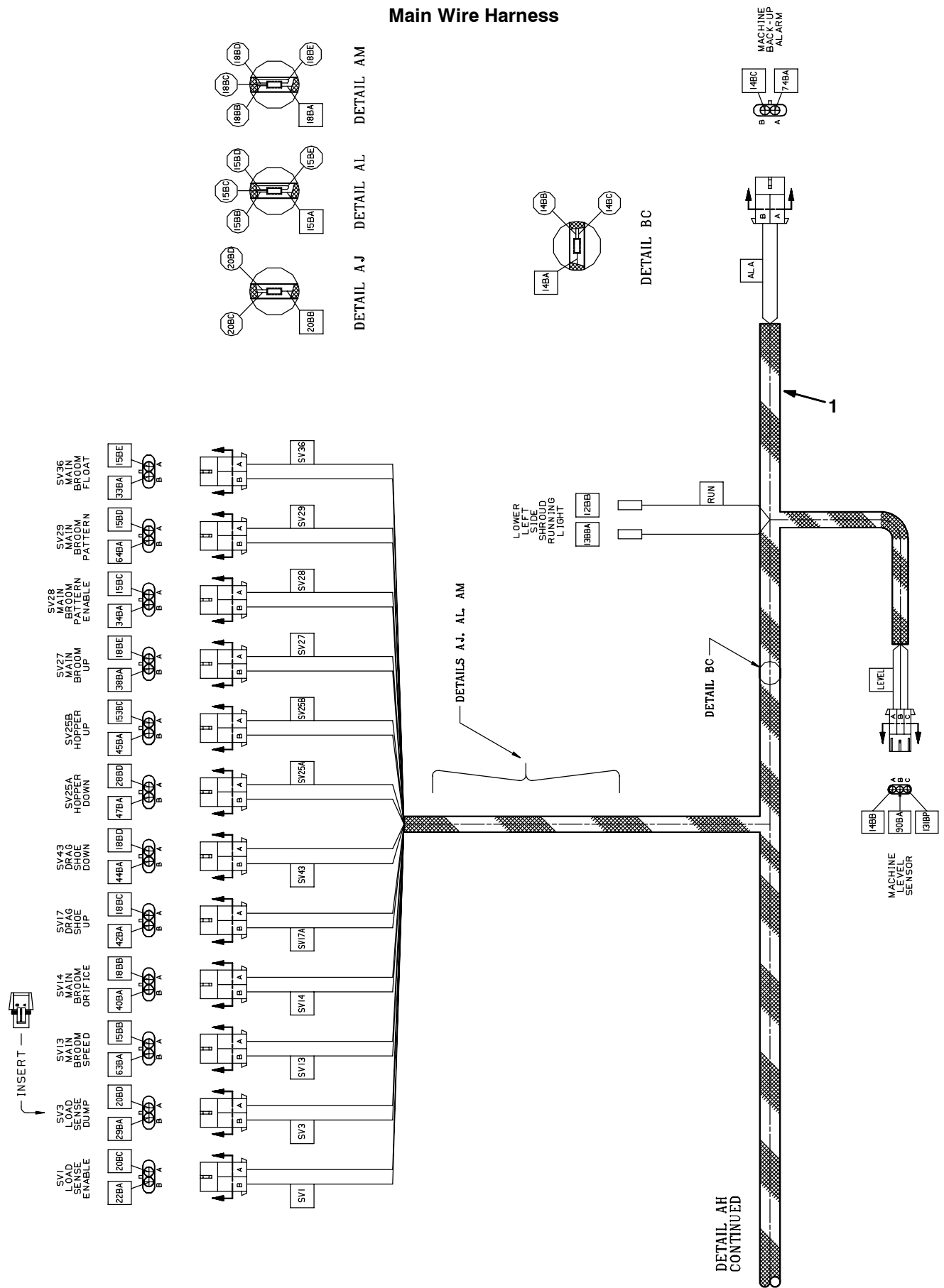


Fig. 54 - Wire Harness Group

Main Wire Harness

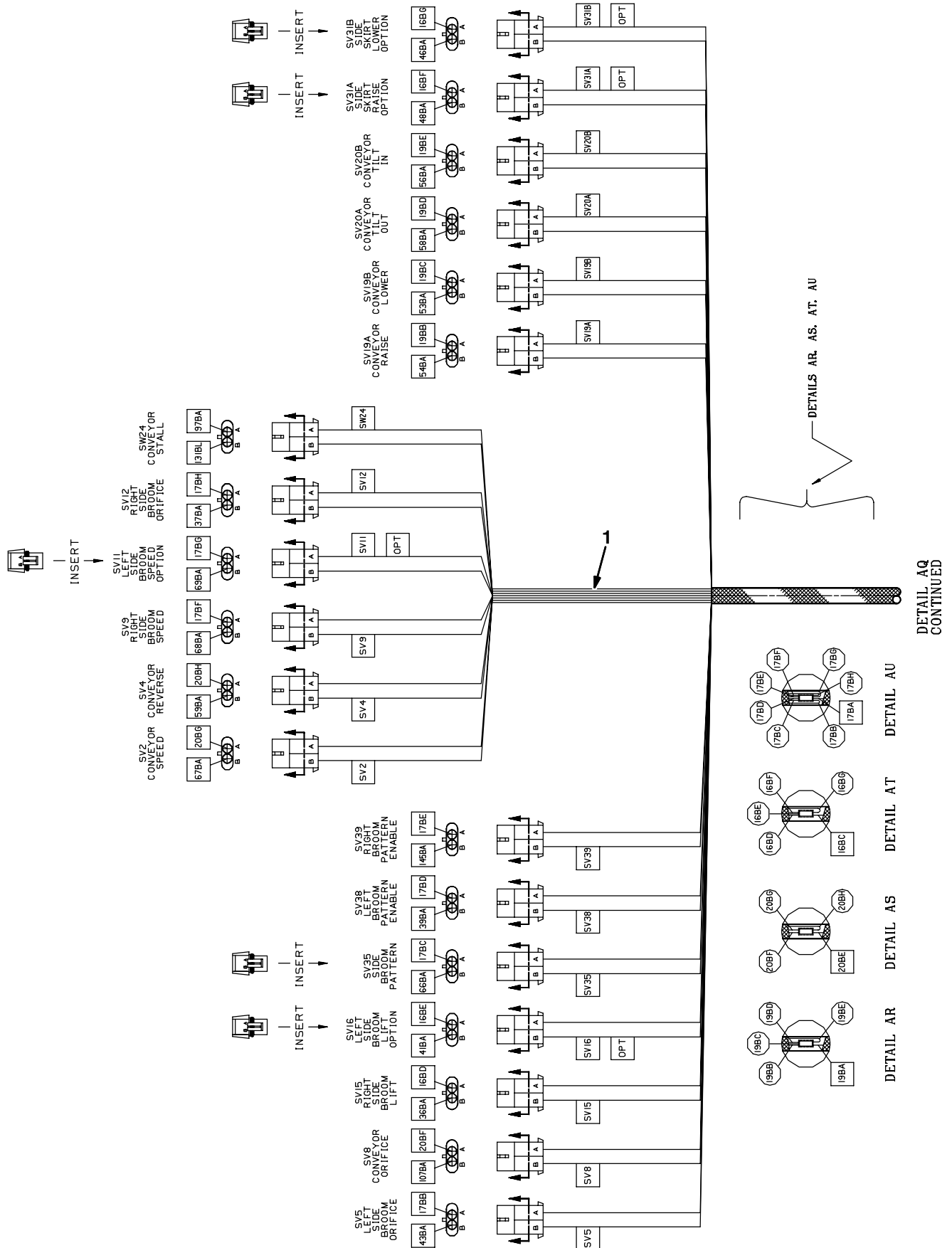


Fig. 54 - Wire Harness Group

Main Wire Harness

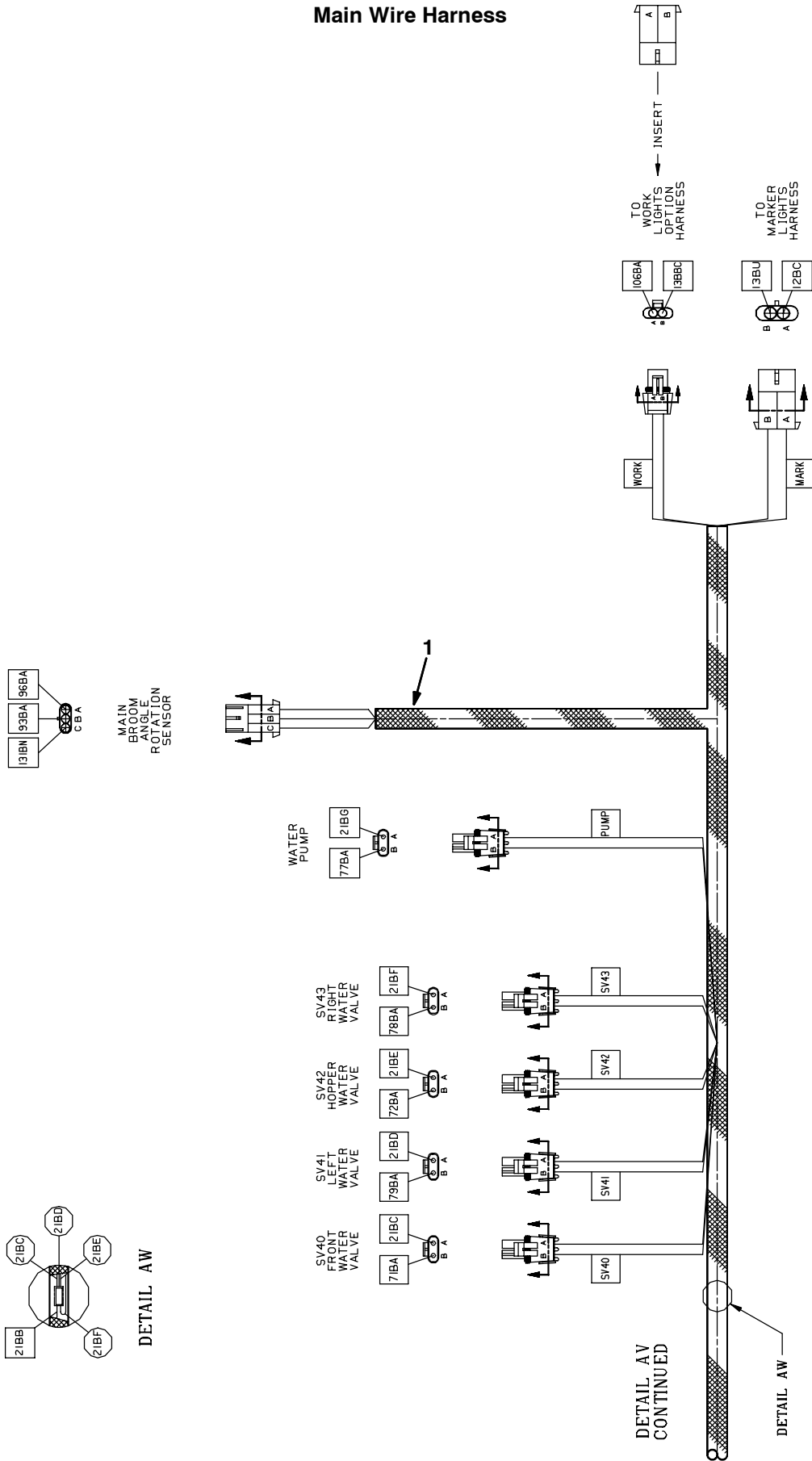
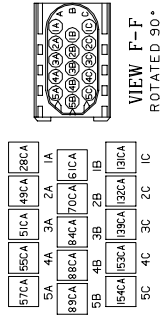


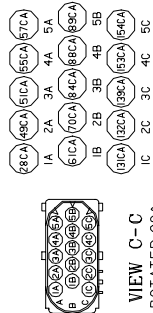
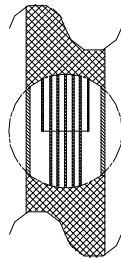
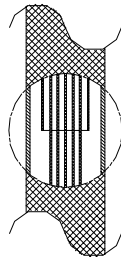


Fig. 54 - Wire Harnesses Group

Hopper Lift Harness



NOTE:  
CONNECTOR - VIEWED  
FROM THE BACK, IS  
MARKED AS INDICATED.



NOTE:  
CONNECTOR - VIEWED  
FROM THE BACK, IS  
MARKED AS INDICATED.

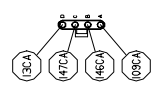
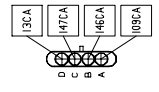
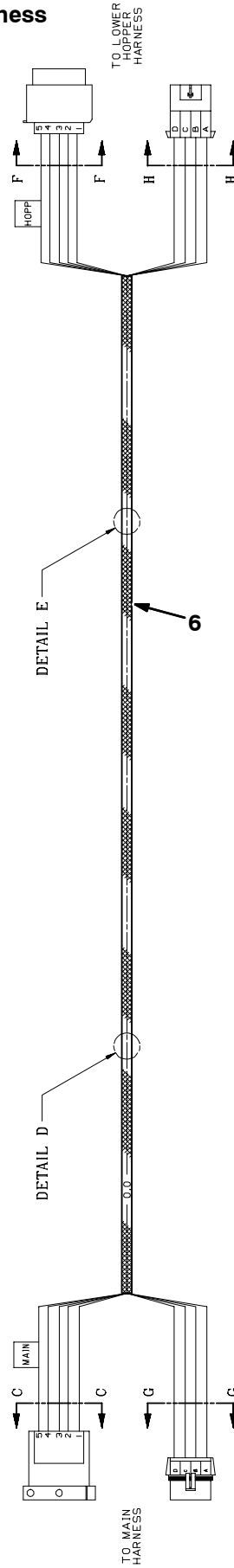
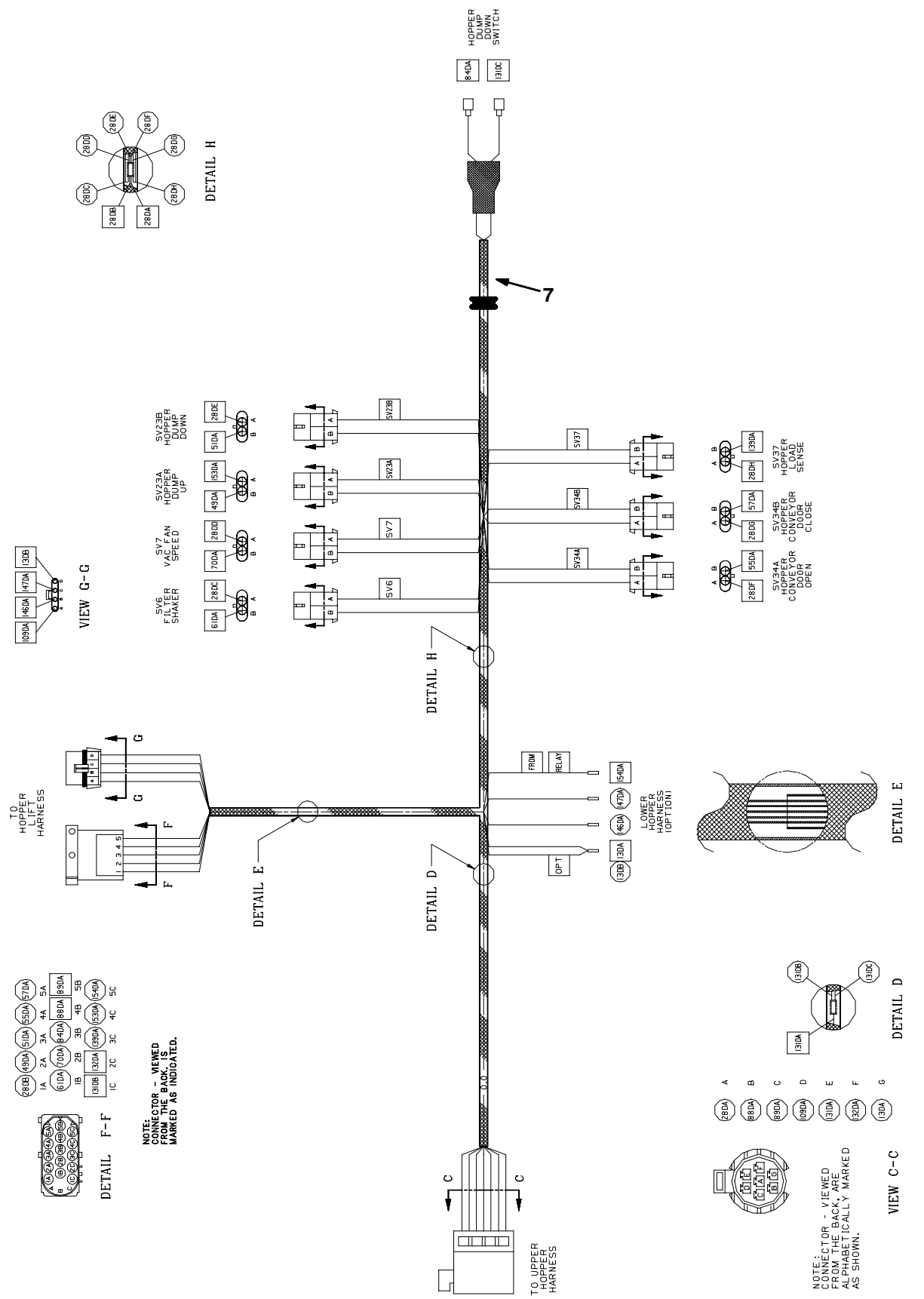


Fig. 54 - Wire Harness Group  
Lower Hopper Harness



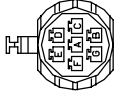
NOTE: CONNECTOR - VIEWED FROM THE BACK, IS MARKED AS INDICATED.

NOTE: CONNECTOR - VIEWED FROM THE BACK, ARE ALPHABETICALLY MARKED AS SHOWN.

Fig. 54 - Wire Harnesses Group

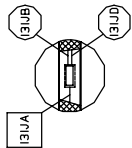
Upper Hopper Harness

- A 28/JA
- B 88/JA
- C 89/JA
- D 109/JA
- E 131/JD
- F 132/JA
- G 133/JA



NOTE: CONNECTORS - VIEWED FROM THE BACK, ARE ALPHABETICALLY MARKED AS SHOWN.

VIEW D-D

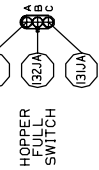


DETAIL C

UPPER HOPPER WORK LIGHT OPTION



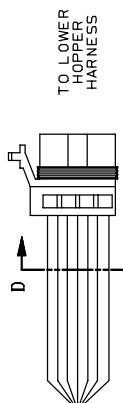
WORK



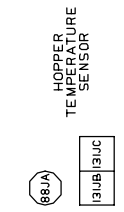
HOPPER FULL SWITCH

FULL

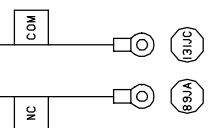
DETAIL C



TO LOWER HOPPER HARNESS



HOPPER TEMPERATURE SENSOR



HIGH PRESSURE

Fig. 54 - Wire Harness Group

Data Link Harness

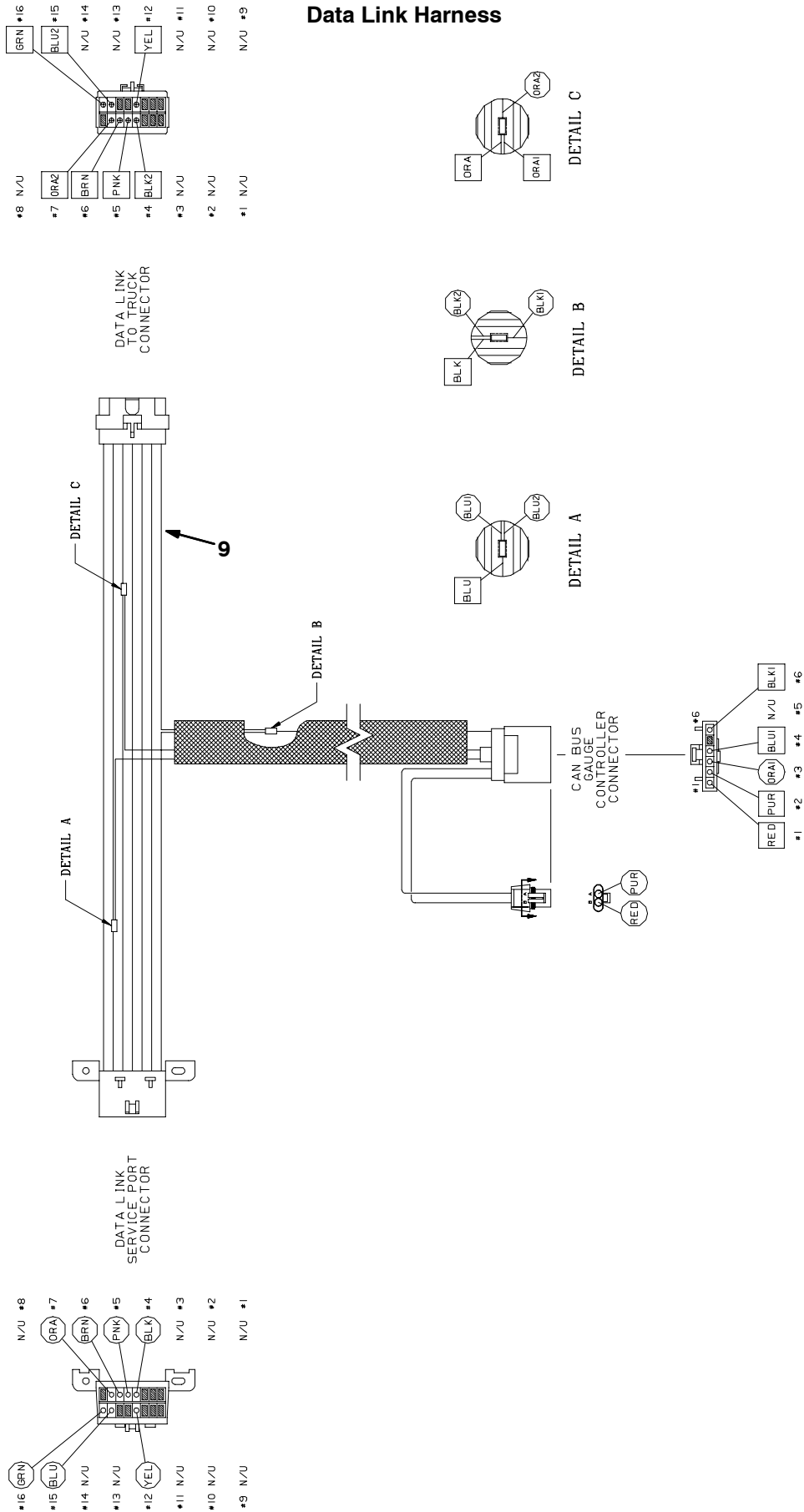


Fig. 54 - Wire Harness Group  
Cab Harness (000000-001039)

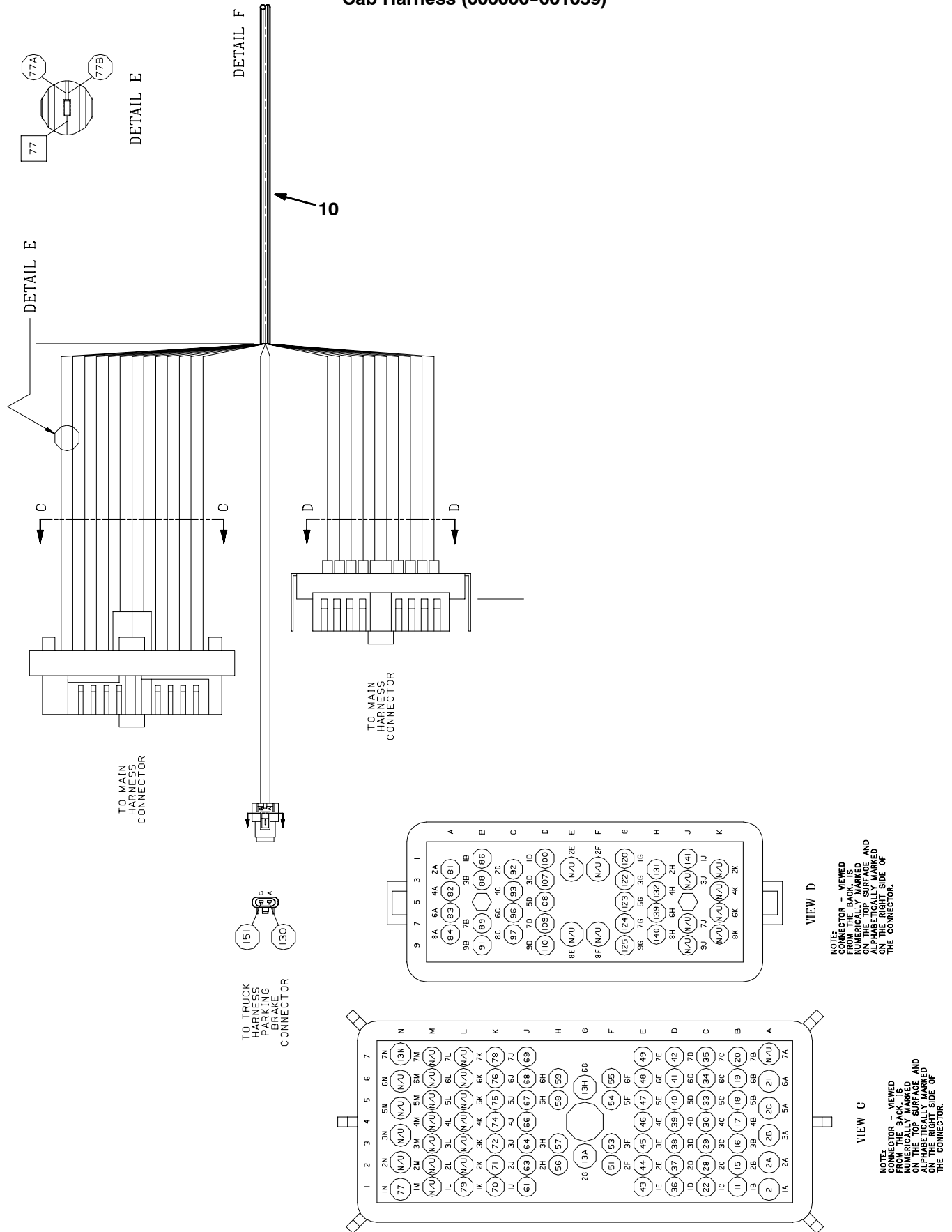


Fig. 54 - Wire Harness Group  
Cab Harness (000000-001039)

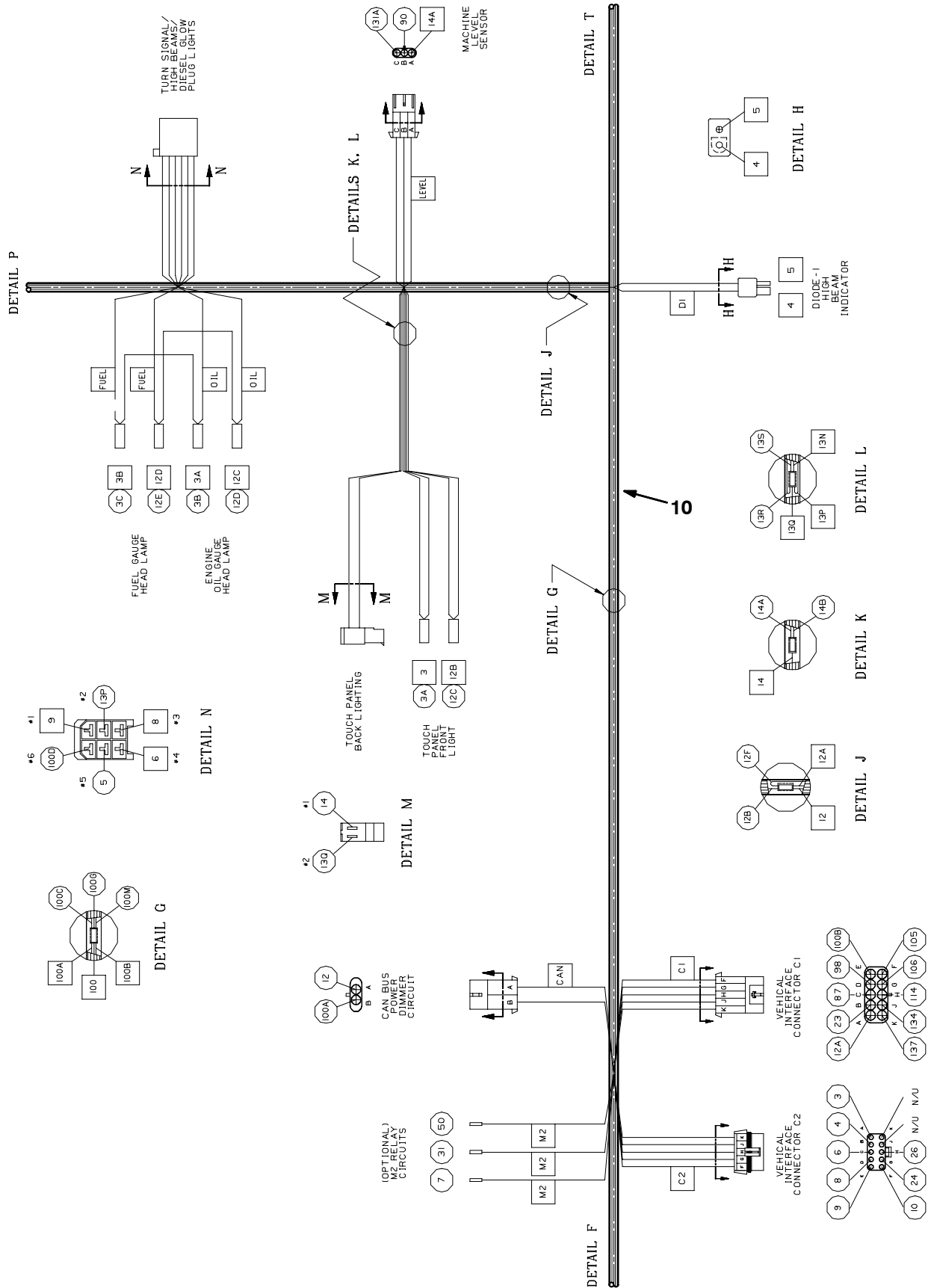
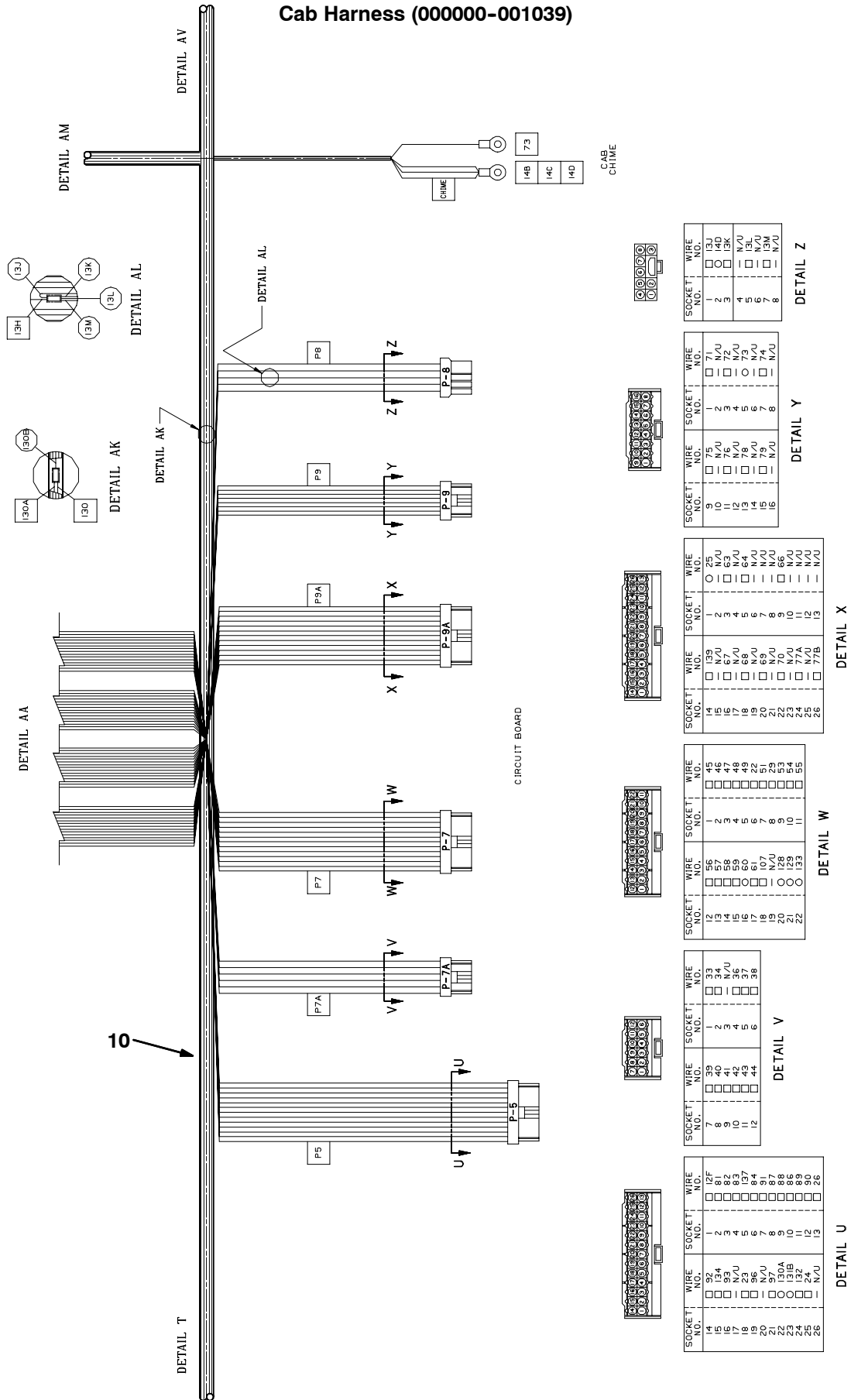


Fig. 54 - Wire Harness Group  
Cab Harness (000000-001039)



SOCKET NO.	WIRE NO.	SOCKET NO.	WIRE NO.
1	13J	71	N/U
2	14D	72	N/U
3	13K	73	N/U
4	N/U	74	N/U
5	N/U	75	N/U
6	13M	76	N/U
7	N/U	77	N/U
8	N/U	78	N/U

DETAIL Z

SOCKET NO.	WIRE NO.	SOCKET NO.	WIRE NO.
9	N/U	79	N/U
10	N/U	80	N/U
11	16	81	N/U
12	17	82	N/U
13	18	83	N/U
14	19	84	N/U
15	20	85	N/U
16	21	86	N/U

DETAIL Y

SOCKET NO.	WIRE NO.	SOCKET NO.	WIRE NO.
14	139	1	25
15	N/U	2	N/U
16	N/U	3	62
17	N/U	4	63
18	68	5	N/U
19	N/U	6	64
20	N/U	7	N/U
21	N/U	8	N/U
22	70	9	N/U
23	N/U	10	66
24	N/U	11	N/U
25	N/U	12	N/U
26	77B	13	N/U

DETAIL X

SOCKET NO.	WIRE NO.	SOCKET NO.	WIRE NO.
12	56	1	45
13	57	2	46
14	58	3	47
15	59	4	48
16	60	5	49
17	61	6	50
18	N/U	7	22
19	N/U	8	29
20	128	9	53
21	133	10	54
22	N/U	11	55

DETAIL W

SOCKET NO.	WIRE NO.	SOCKET NO.	WIRE NO.
7	39	1	33
8	40	2	34
9	41	3	N/U
10	42	4	37
11	43	5	38
12	44	6	N/U

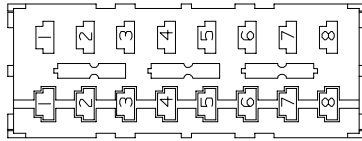
DETAIL V

SOCKET NO.	WIRE NO.	SOCKET NO.	WIRE NO.
14	92	1	12F
15	134	2	81
16	N/U	3	82
17	23	4	N/U
18	43	5	137
19	96	6	84
20	97	7	87
21	N/U	8	88
22	130A	9	86
23	131B	10	88
24	24	11	90
25	N/U	12	90
26	N/U	13	26

DETAIL U

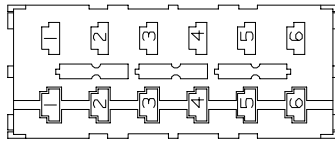
## Fig. 54 - Wire Harnesses Group Cab Harness (000000-001039)

MAXI FUSE PANEL #3 ASSEMBLY WIRING	
CIRCUIT/FUSE LOADING SEQUENCE	CIRCUIT/FUSE LOADING SEQUENCE
1 <input type="checkbox"/> 2B & <input type="checkbox"/> 2C	1 <input type="checkbox"/> 103
2 <input type="checkbox"/> BUS BAR	2 <input type="checkbox"/> 104
3 <input type="checkbox"/> BUS BAR	3 <input type="checkbox"/> 121
4 <input type="checkbox"/> BUS BAR	4 <input type="checkbox"/> N/U
5 <input type="checkbox"/> BUS BAR	5 <input type="checkbox"/> N/U
6 <input type="checkbox"/> BUS BAR	6 <input type="checkbox"/> N/U
7 <input type="checkbox"/> BUS BAR	7 <input type="checkbox"/> N/U
8 <input type="checkbox"/> BUS BAR	8 <input type="checkbox"/> N/U



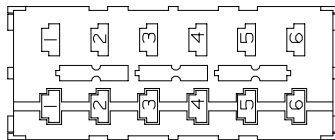
DETAIL AJ-AJ  
FUSE PANEL 3  
VIEWED FROM  
THE BACK

MAXI FUSE PANEL #2 ASSEMBLY WIRING	
CIRCUIT/FUSE LOADING SEQUENCE	CIRCUIT/FUSE LOADING SEQUENCE
1 <input type="checkbox"/> 2A	1 <input type="checkbox"/> 19
2 <input type="checkbox"/> BUS BAR	2 <input type="checkbox"/> 20
3 <input type="checkbox"/> BUS BAR	3 <input type="checkbox"/> 21
4 <input type="checkbox"/> BUS BAR	4 <input type="checkbox"/> 28
5 <input type="checkbox"/> BUS BAR	5 <input type="checkbox"/> 32
6 <input type="checkbox"/> BUS BAR	6 <input type="checkbox"/> N/U

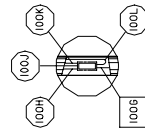


DETAIL AH-AH  
FUSE PANEL 2  
VIEWED FROM  
THE BACK

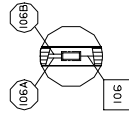
MAXI FUSE PANEL #1 ASSEMBLY WIRING	
CIRCUIT/FUSE LOADING SEQUENCE	CIRCUIT/FUSE LOADING SEQUENCE
1 <input type="checkbox"/> 2	1 <input type="checkbox"/> 14C
2 <input type="checkbox"/> BUS BAR	2 <input type="checkbox"/> 15
3 <input type="checkbox"/> BUS BAR	3 <input type="checkbox"/> 16
4 <input type="checkbox"/> BUS BAR	4 <input type="checkbox"/> 17
5 <input type="checkbox"/> BUS BAR	5 <input type="checkbox"/> 18
6 <input type="checkbox"/> BUS BAR	6 <input type="checkbox"/> N/U



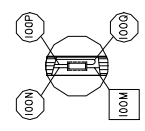
DETAIL AG-AG  
FUSE PANEL 1  
VIEWED FROM  
THE BACK



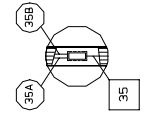
DETAIL AE



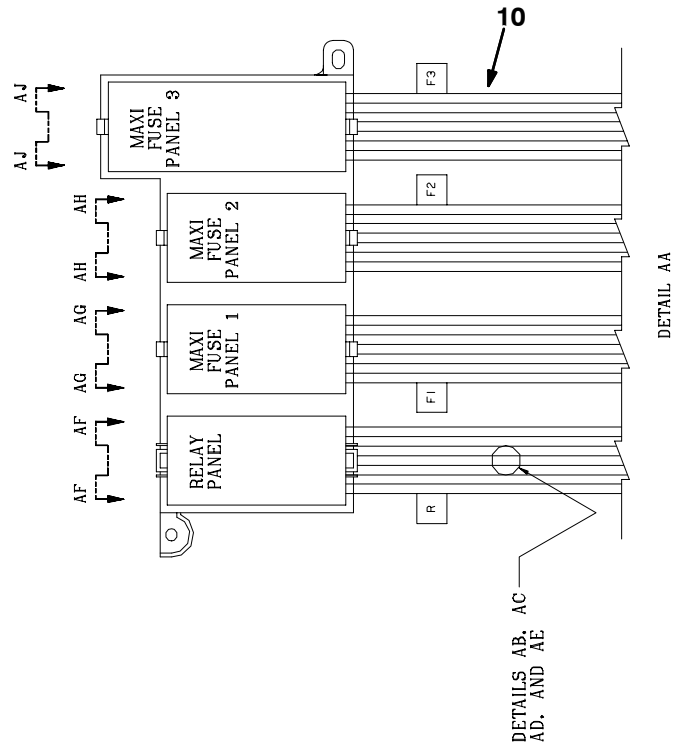
DETAIL AD



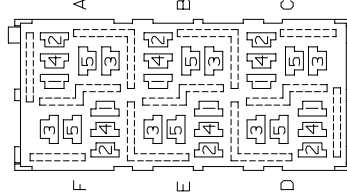
DETAIL AC



DETAIL AB



RELAY PANEL ASSEMBLY WIRING	
RELAY M10 (F1) CIRCUIT LOADING	RELAY M2 (A) CIRCUIT LOADING
1/486 <input type="checkbox"/> 100G	1/486 <input type="checkbox"/> 100H
2/485 <input type="checkbox"/> 25	2/485 <input type="checkbox"/> 7
3/430 <input type="checkbox"/> 35B	3/430 <input type="checkbox"/> 31
4/487A <input type="checkbox"/> N/U	4/487A <input type="checkbox"/> N/U
5/487 <input type="checkbox"/> 11	5/487 <input type="checkbox"/> 50
RELAY M9 (E) CIRCUIT LOADING	RELAY M6 (B) CIRCUIT LOADING
1/486 <input type="checkbox"/> 100P	1/486 <input type="checkbox"/> 100J
2/485 <input type="checkbox"/> 133	2/485 <input type="checkbox"/> 60
3/430 <input type="checkbox"/> 35A	3/430 <input type="checkbox"/> 100K
4/487A <input type="checkbox"/> N/U	4/487A <input type="checkbox"/> N/U
5/487 <input type="checkbox"/> 10	5/487 <input type="checkbox"/> 105
RELAY M8 (D) CIRCUIT LOADING	RELAY M7 (C) CIRCUIT LOADING
1/486 <input type="checkbox"/> 100N	1/486 <input type="checkbox"/> 100L
2/485 <input type="checkbox"/> 129	2/485 <input type="checkbox"/> 128
3/430 <input type="checkbox"/> 106B	3/430 <input type="checkbox"/> 106A
4/487A <input type="checkbox"/> N/U	4/487A <input type="checkbox"/> N/U
5/487 <input type="checkbox"/> 38	5/487 <input type="checkbox"/> 114



DETAIL AF-AF  
RELAY PANEL  
VIEWED FROM  
THE BACK



Fig. 54 - Wire Harness Group  
Cab Harness (000000-001039)

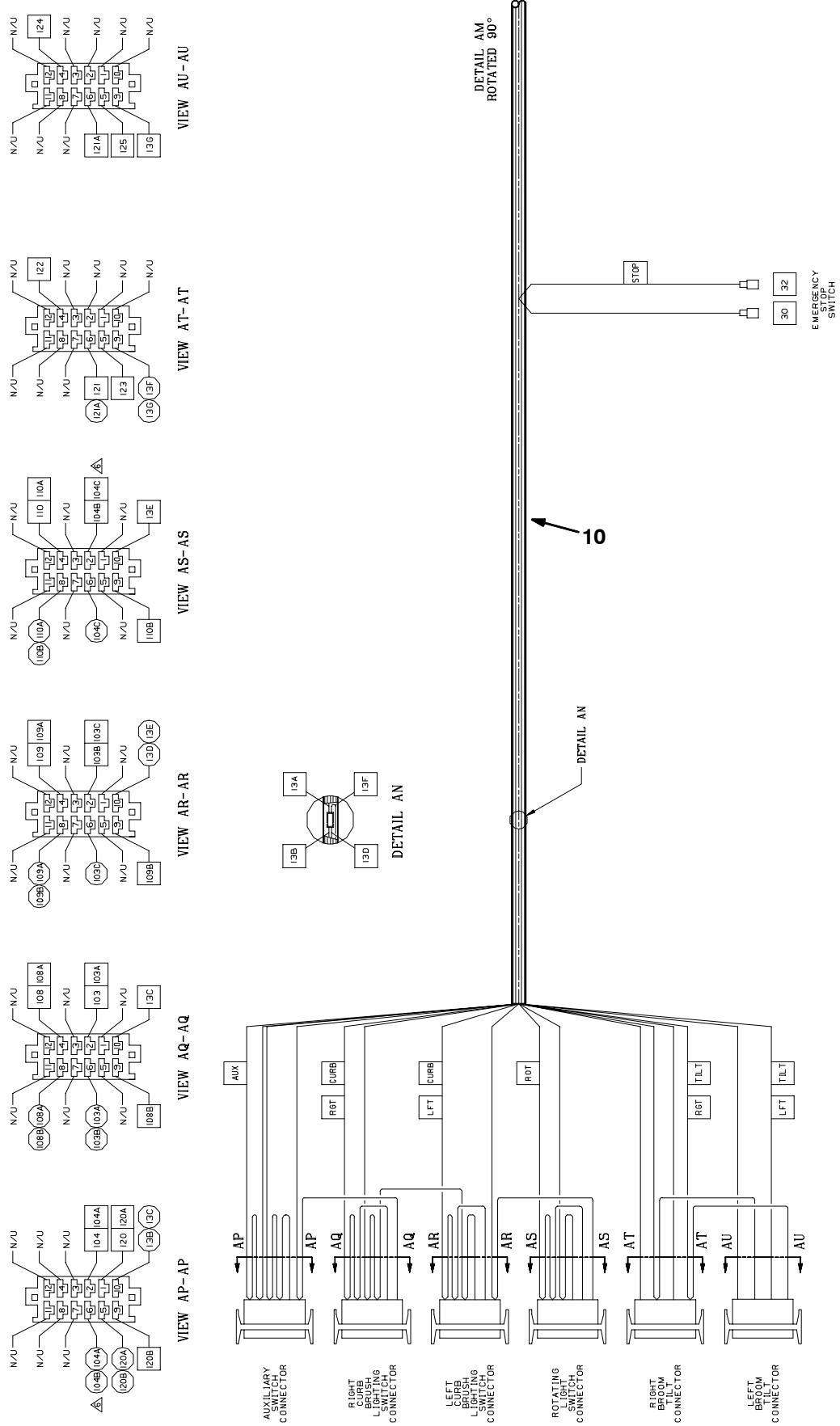


Fig. 54 - Wire Harness Group  
Cab Harness (000000-001039)

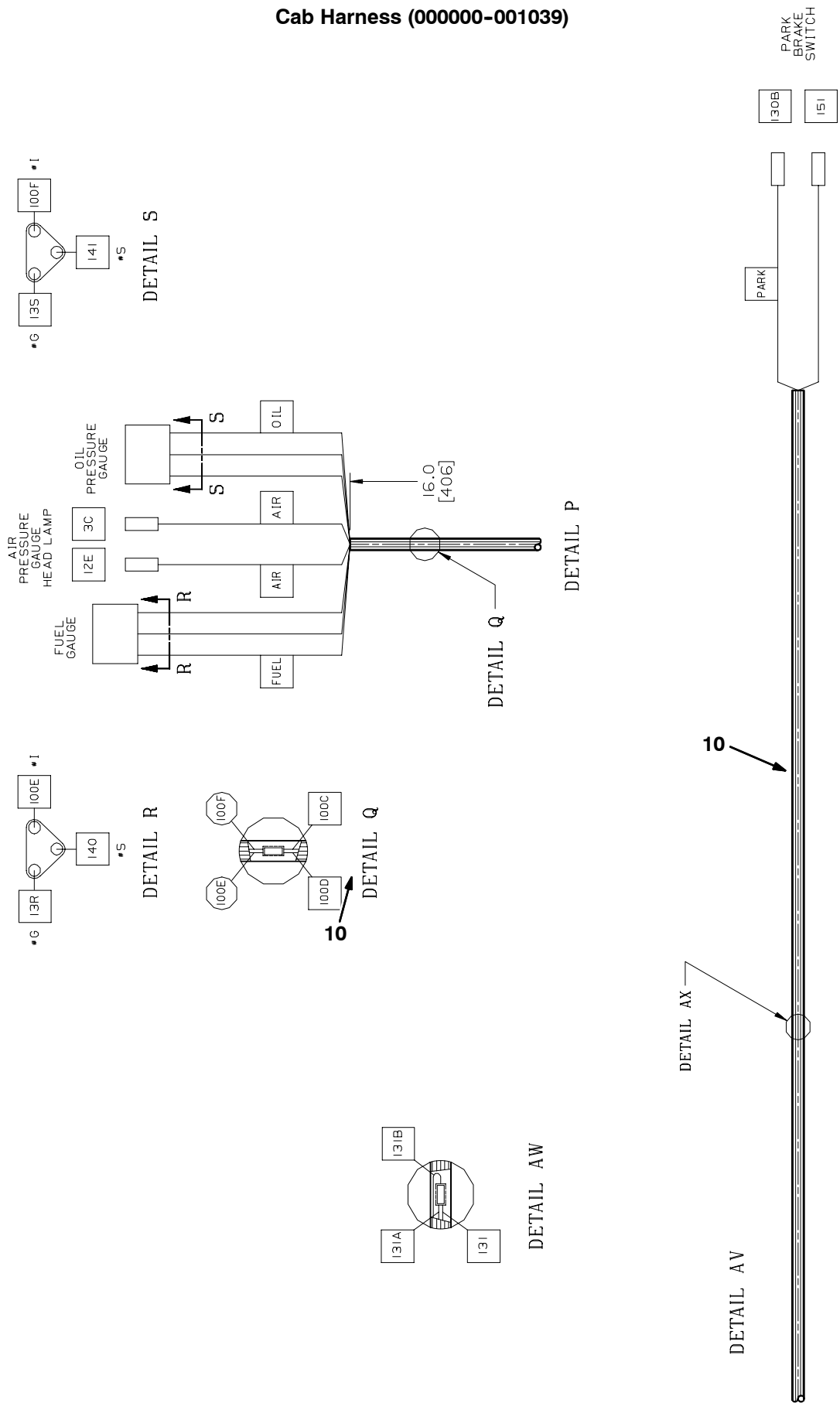
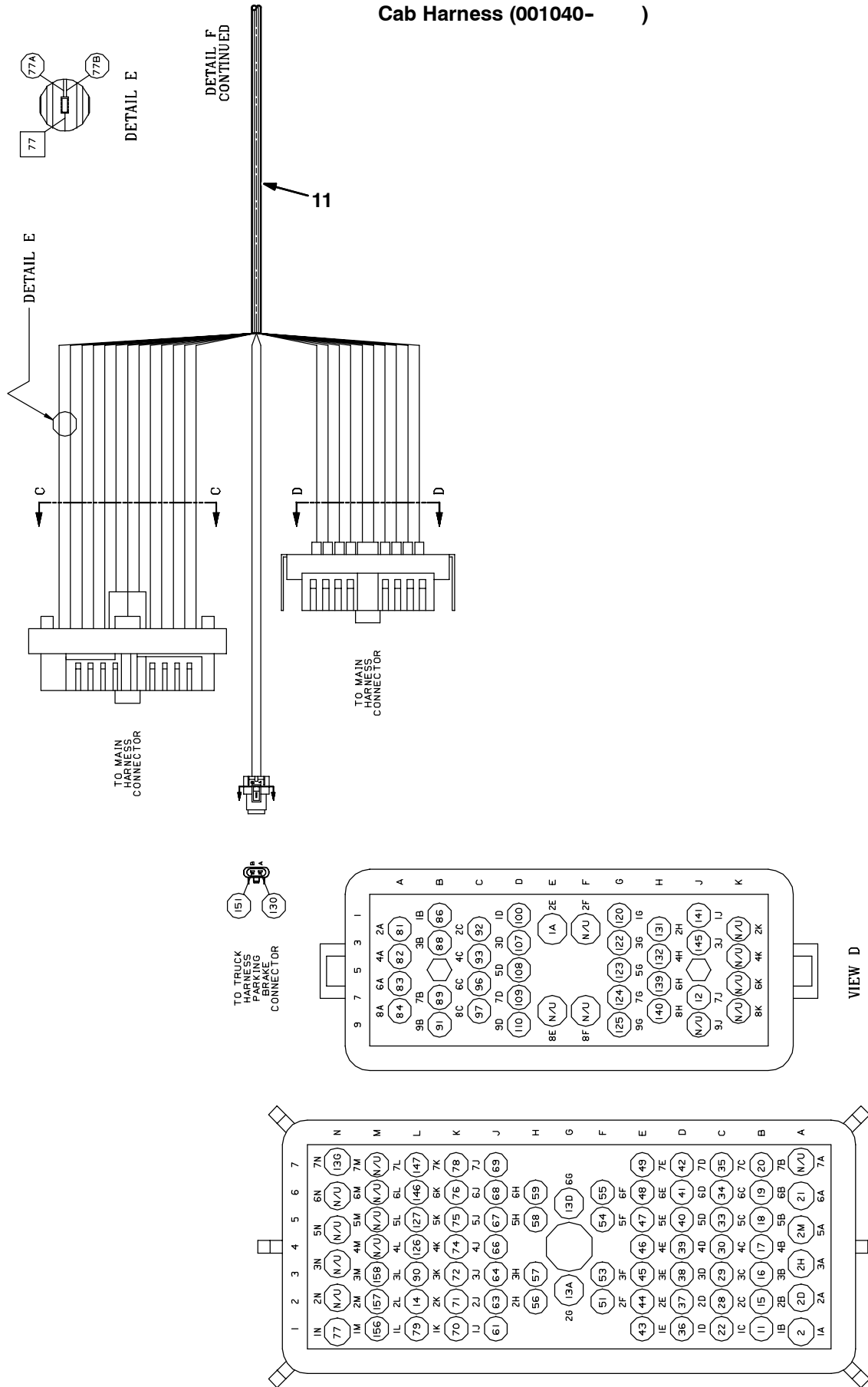


Fig. 54 - Wire Harness Group  
Cab Harness (001040- )



NOTE:  
CONNECTOR - VIEWED FROM THE BACK, IS NUMERICALLY MARKED ON THE TOP SURFACE AND ALPHABETICALLY MARKED ON THE RIGHT SIDE OF THE CONNECTOR.

NOTE:  
CONNECTOR - VIEWED FROM THE BACK, IS NUMERICALLY MARKED ON THE TOP SURFACE AND ALPHABETICALLY MARKED ON THE RIGHT SIDE OF THE CONNECTOR.

## Fig. 54 - Wire Harness Group

### Cab Harness (001040- )

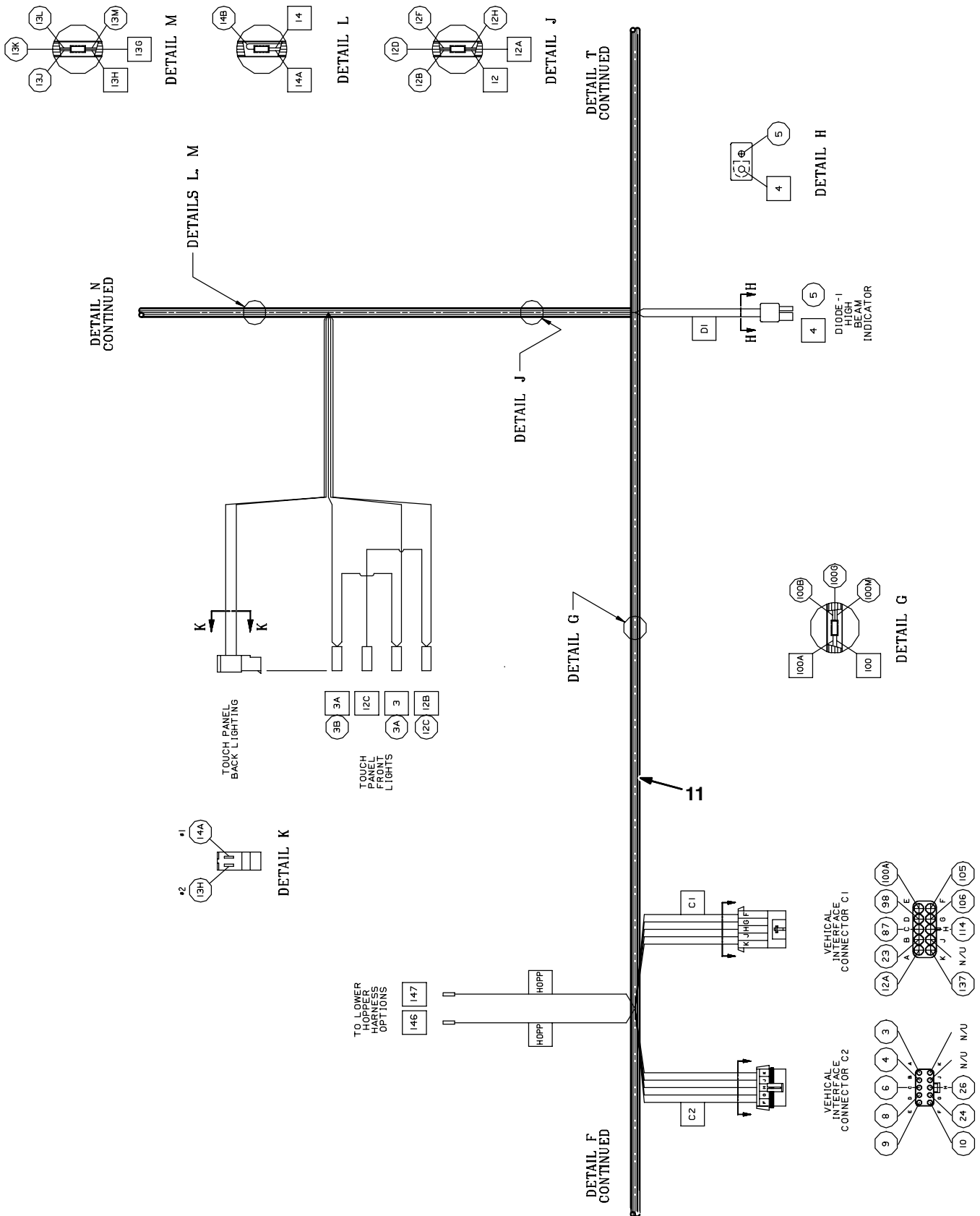


Fig. 54 - Wire Harness Group  
Cab Harness (001040- )

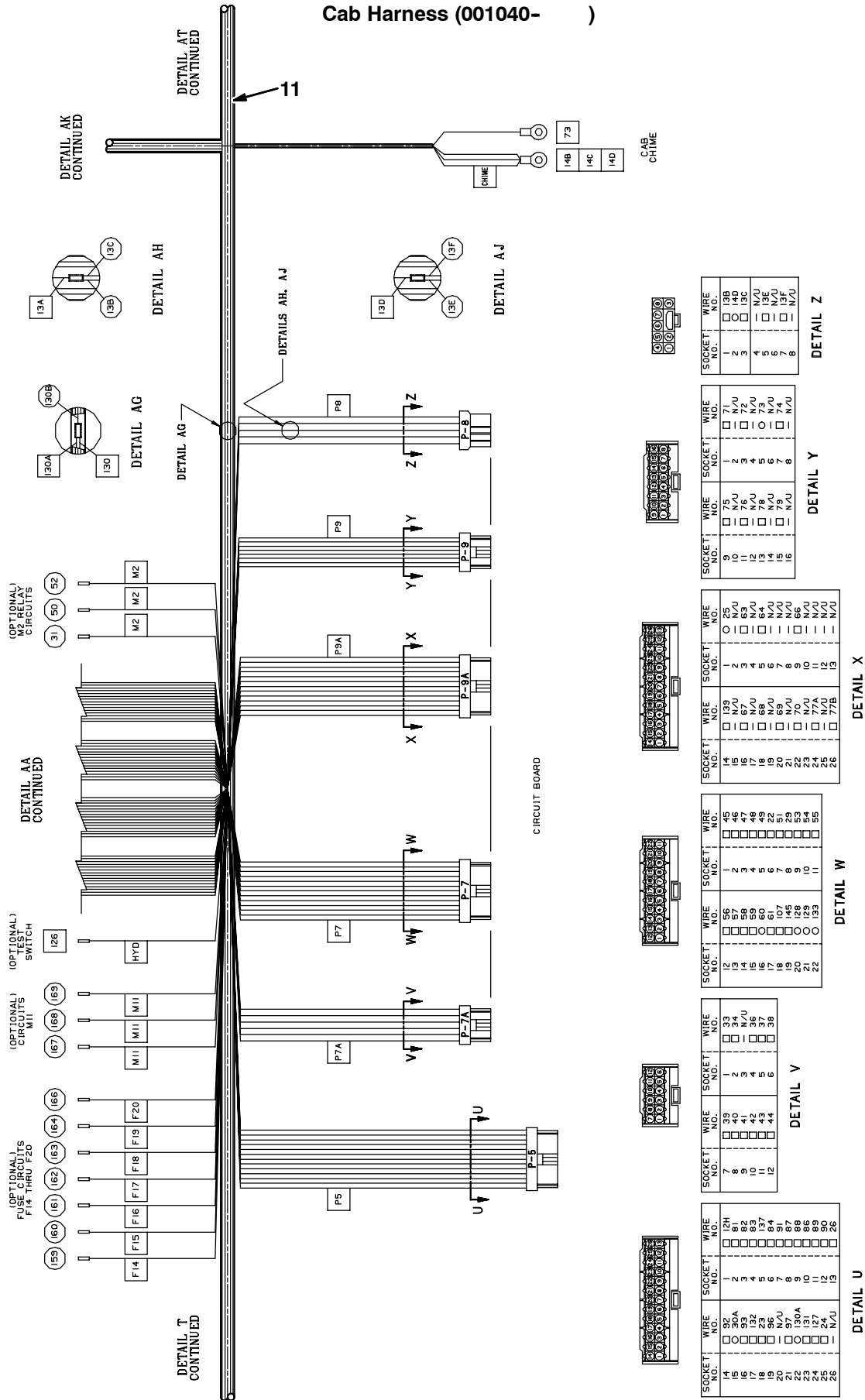


Fig. 54 - Wire Harnesses Group  
Cab Harness (001040- )

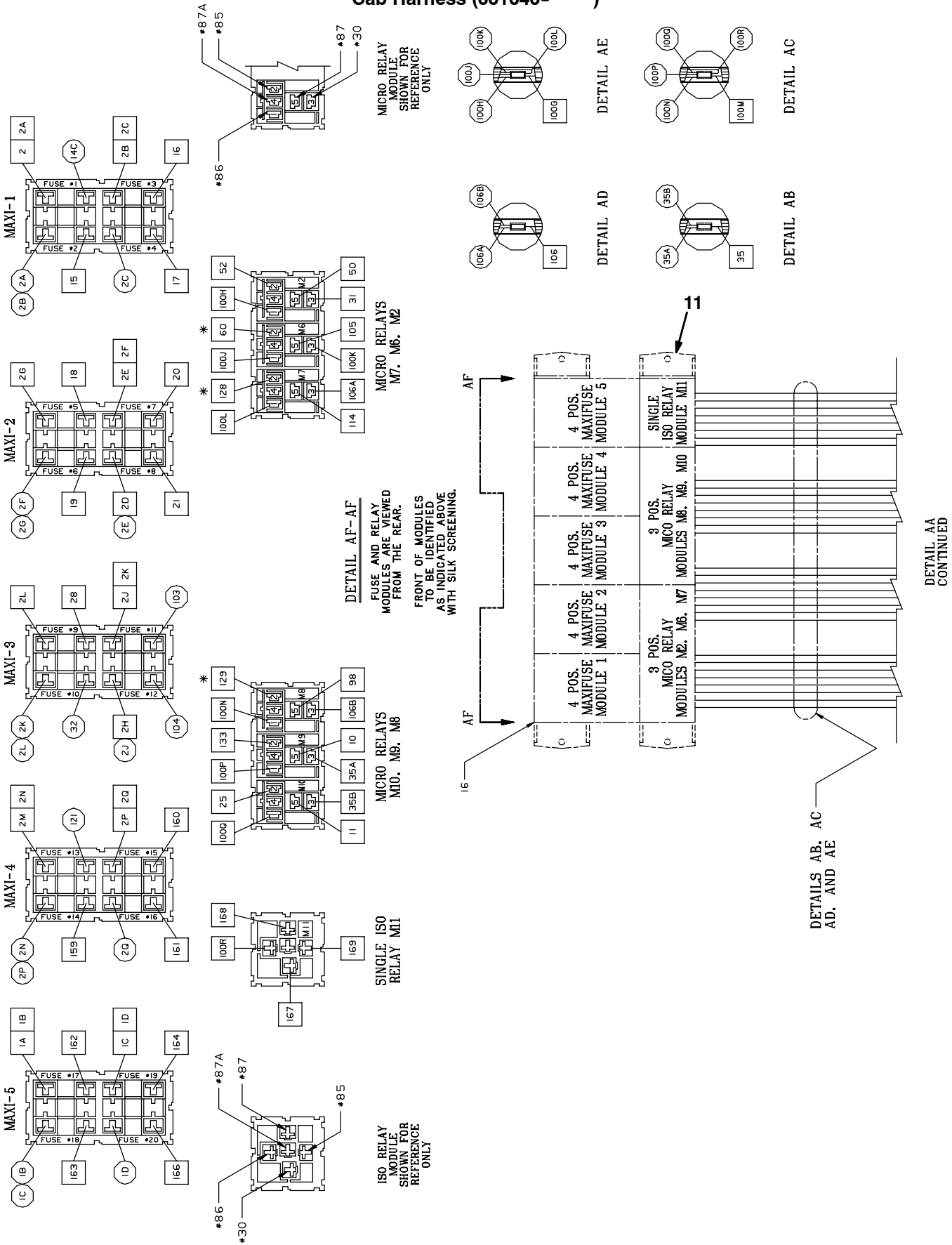


Fig. 54 - Wire Harness Group  
Cab Harness (001040- )

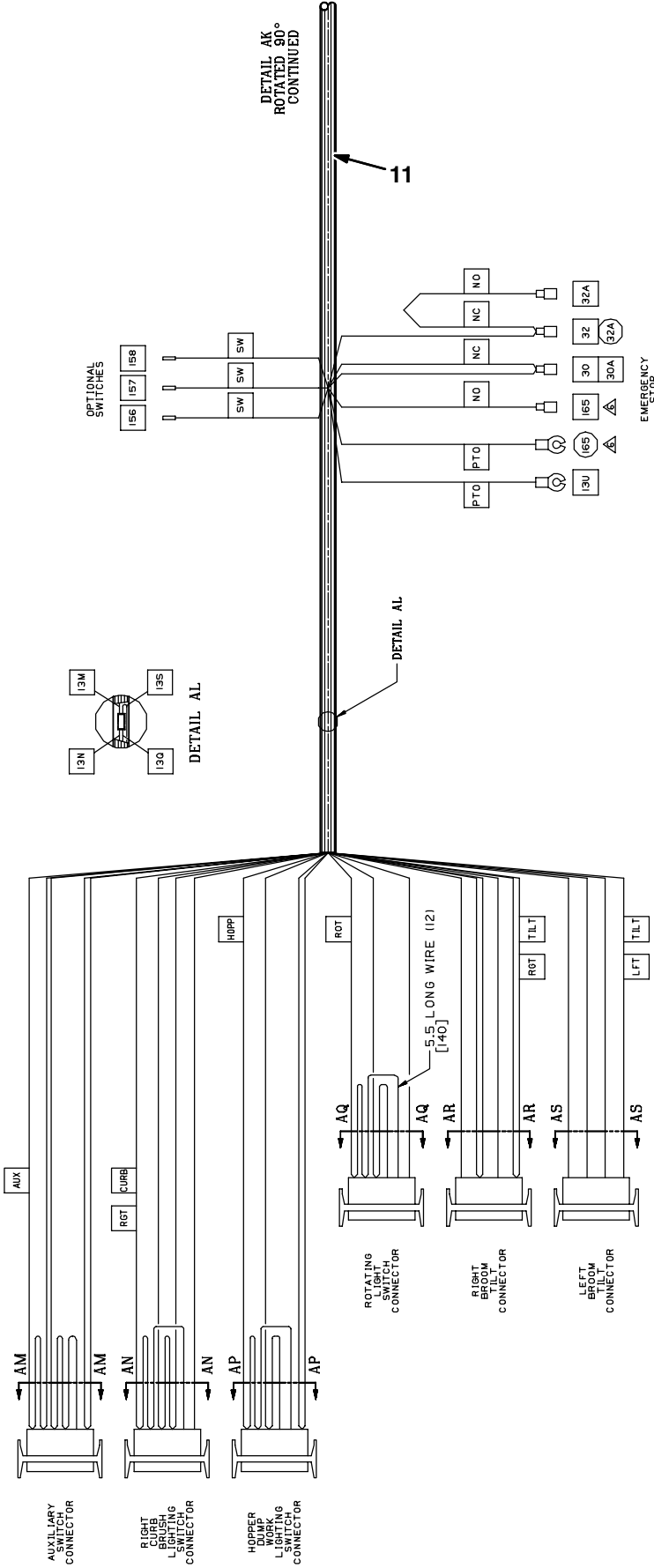
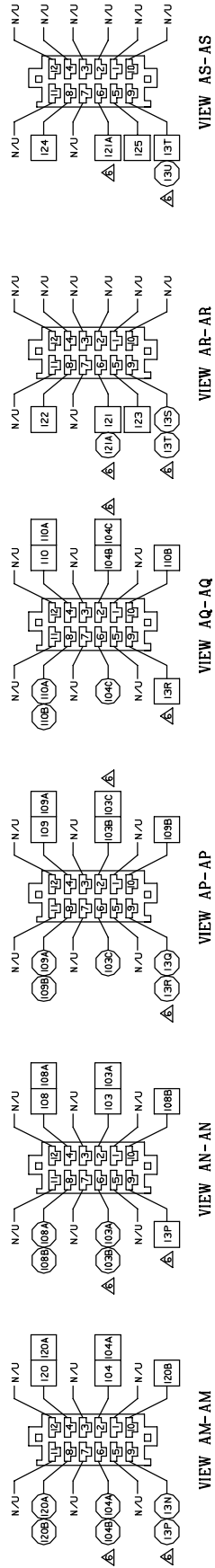


Fig. 54 - Wire Harnesses Group  
Cab Harness (001040- )

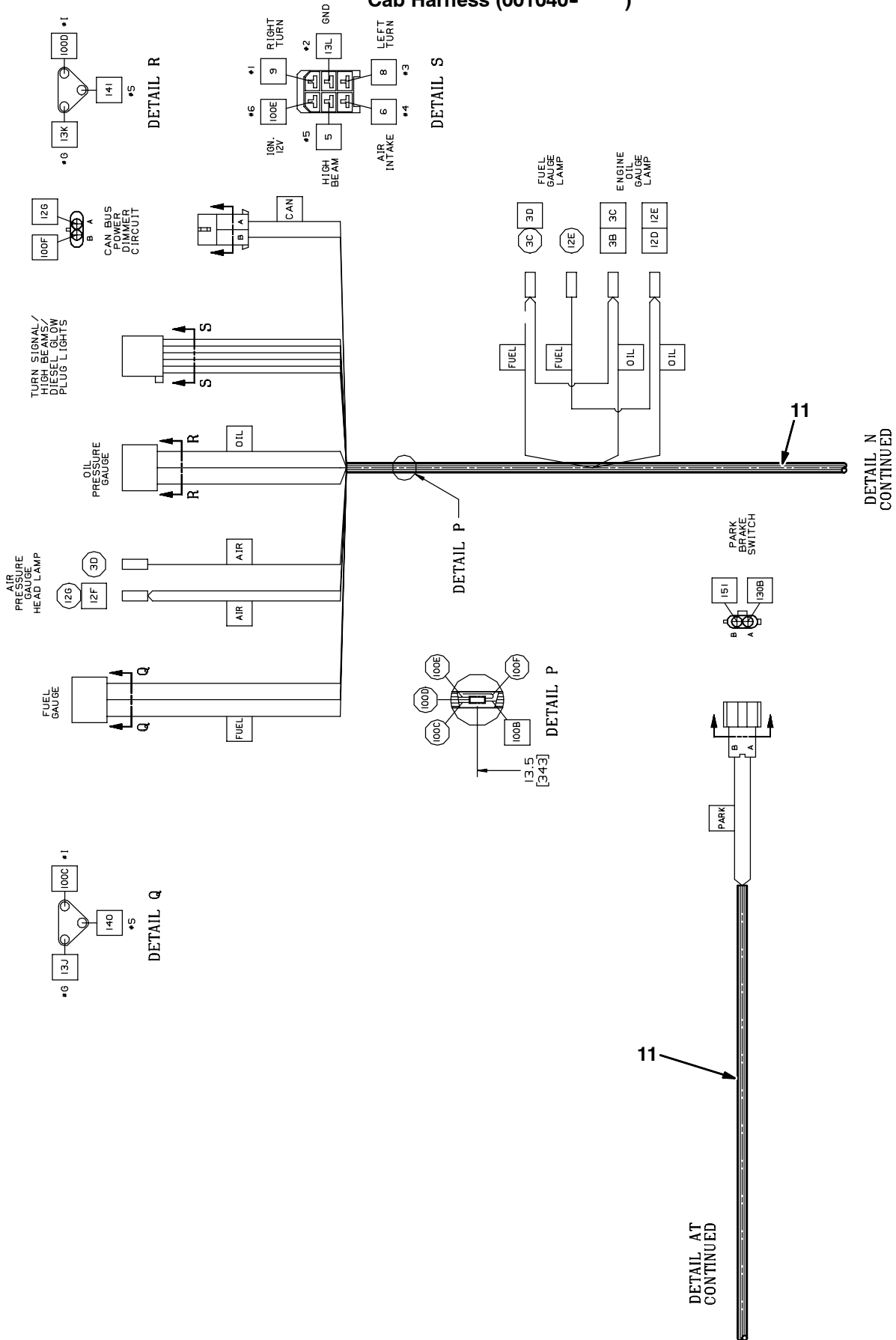
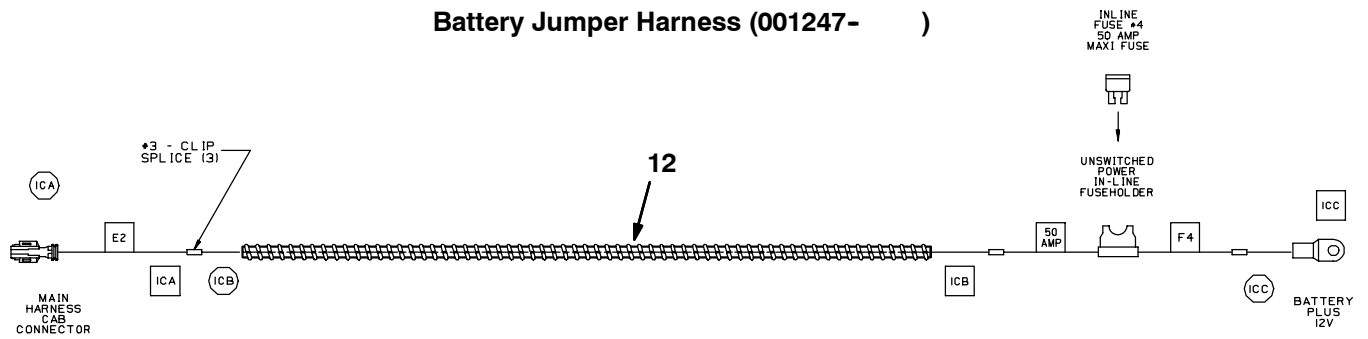




Fig. 54 - Wire Harnesses Group



Ref.	Tennant Part No.	Machine Serial Number	Description	Qty.
▽ 1	394910	(000000- )	Harness, Main, [Centurion]	1
▲ 2	394921	(000000- )	Fuse, 50amp, Ato-Maxi	1
▲ 3	394922	(000000- )	Fuse, 60amp, Ato-Maxi	1
▲ 4	762516	(000000- )	Fuse, 30 Amp	1
▲ 5	56186	(000000- )	Relay, 12vdc, 40a, Spdt	1
6	394913	(000000- )	Harness, Lift, Hppr, [Centurion]	1
7	394935	(000000- )	Harness, Hppr, Lower, [Centurion]	1
8	394936	(000000-001057 )	Harness, Hppr, Upper, [Centurion]	1
8	396724	(001058- )	Harness, Hppr, Upper, [Centurion]	1
9	395459	(000000- )	Harness, Data Link, [Centurion]	1
10	394911	(000000-001039 )	Harness, Cab, [Centurion]	1
11	396603	(001040- )	Harness, Cab, [Centurion]	1
12	396931	(001247- )	Harness, Jumper, [12v Unswitched]	1

Fig. 55 - Miscellaneous Truck Parts

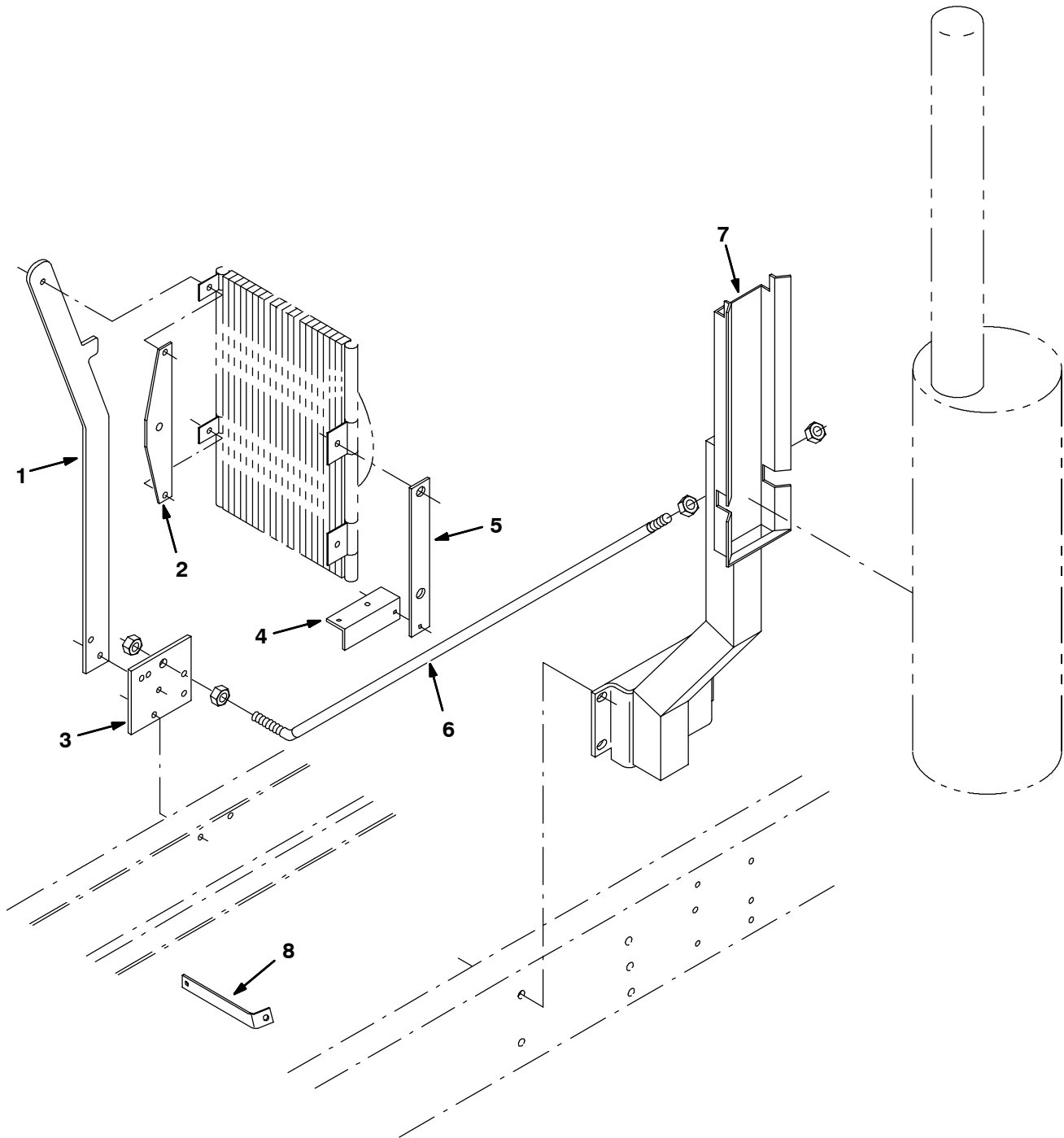


Fig. 55 - Miscellaneous Truck Parts

Ref.	Tenant Part No.	Machine Serial Number	Description	Qty.
1	371730	(000000-	) Bracket, Mtg, Condenser	1
2	371729	(000000-	) Bracket, Condenser, Rh, Inner	1
3	371734	(000000-	) Bracket, Mtg, A/C	1
4	371732	(000000-	) Angle, Mtg, Condenser	1
5	371731	(000000-	) Bracket, Condenser, Lh	1
6	371733	(000000-	) Brace Wldt, Vertical Exhaust	1
7	371735	(000000-	) Bracket Wldt, Muffler	1
8	1007652	(000000-	) Bar, Dipstick	1

Fig. 56 - Miscellaneous Cab Parts

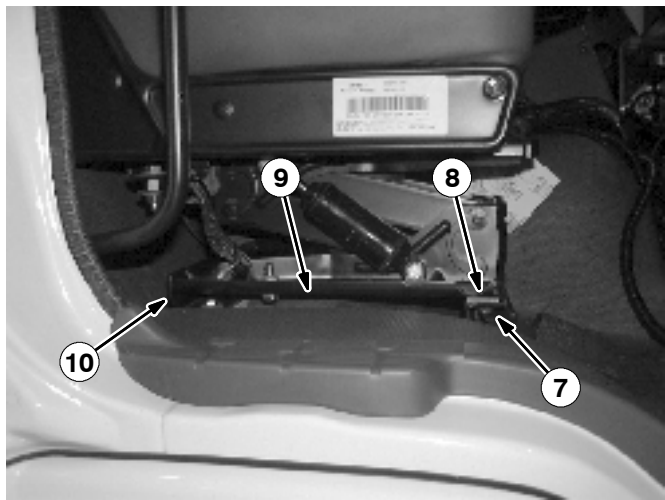
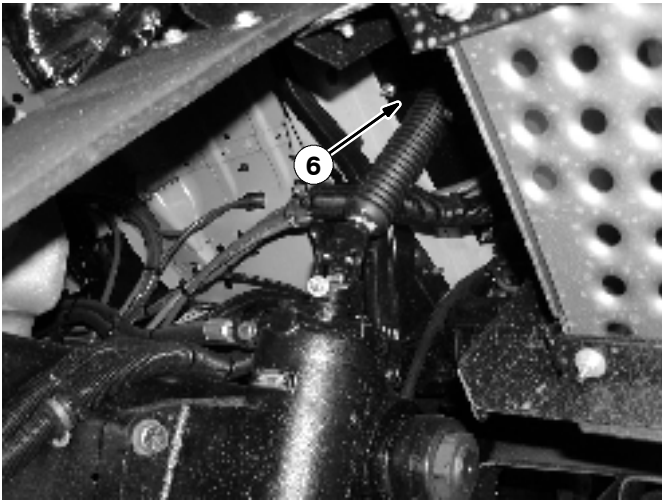
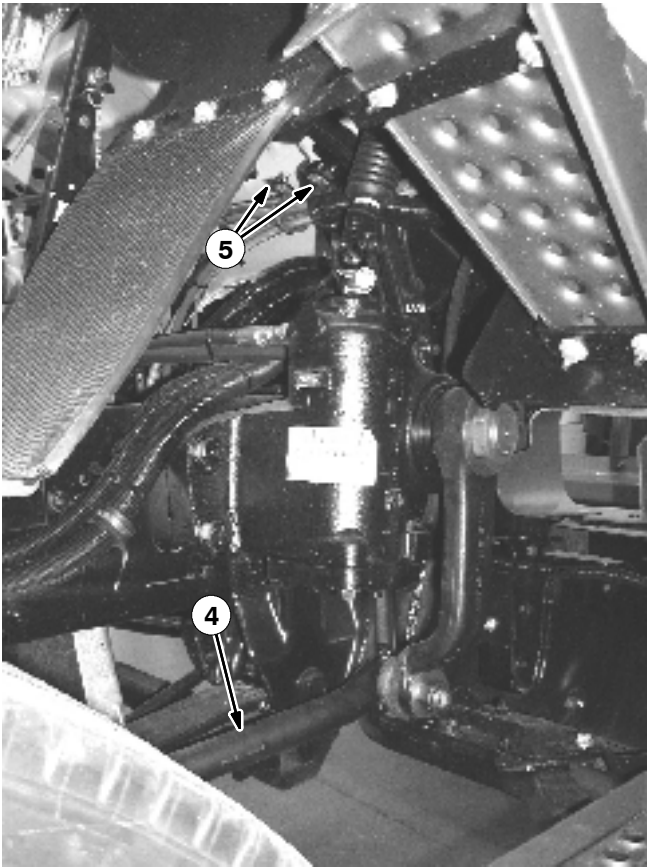
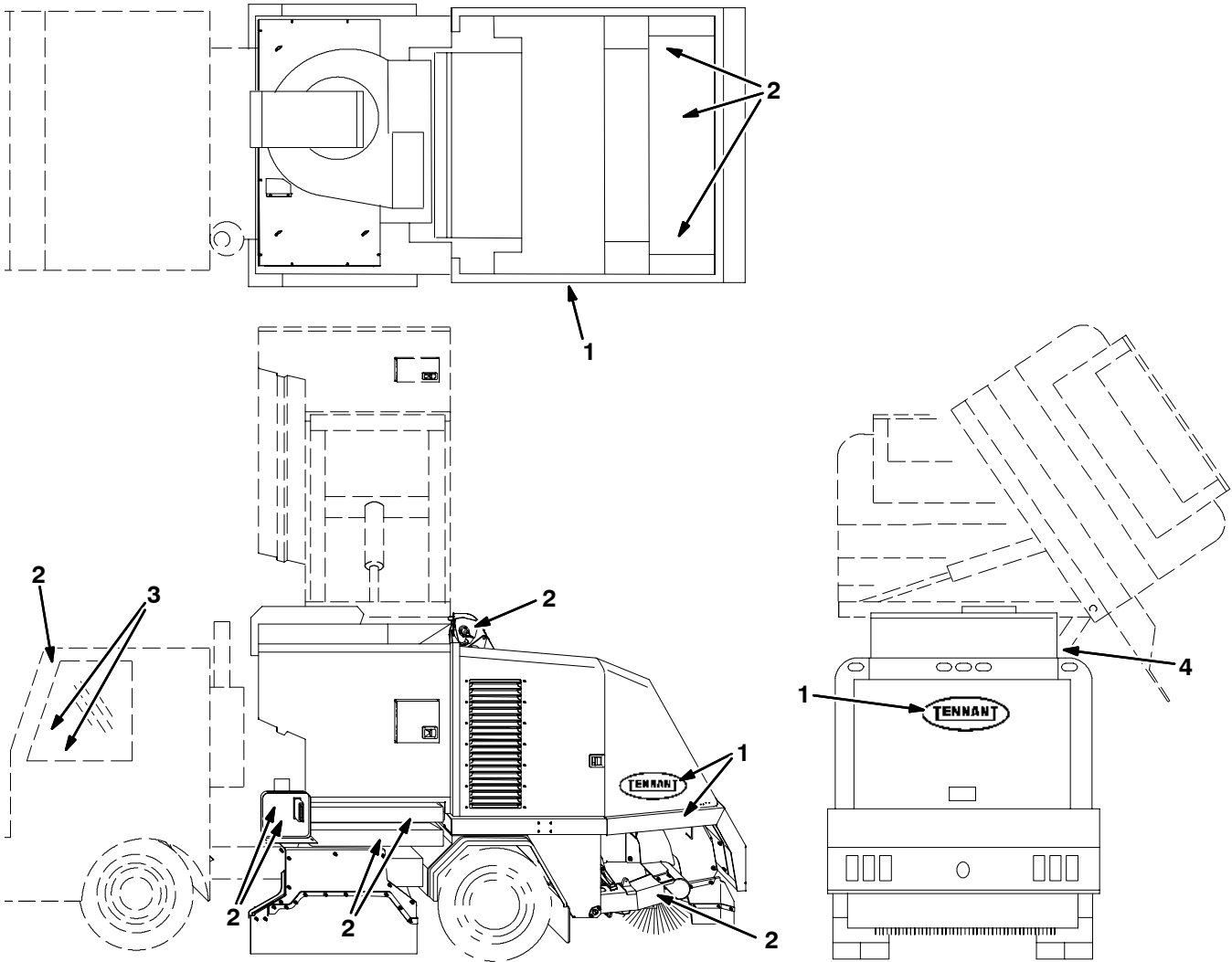


Fig. 56 - Miscellaneous Cab Parts

Ref.	Tenant Part No.	Machine Serial Number	Description	Qty.
1	371723	(000000-	) Bracket, Mtg, Steering Column	1
2	371738	(000000-	) Rod, Pedal, Accelerator	1
3	371725	(000000-	) Bracket, Acccelerator	1
4	371726	(000000-	) Link, Drag	1
5	371741	(000000-	) Bracket, Air Line	2
6	371724	(000000-	) Panel Wldt, Floor	1
7	371727	(000000-	) Pedestal Wldt, Seat	1
8	371740	(000000-	) Bracket, Rh, Seat, Lh	1
9	371739	(000000-	) Bracket, Rh, Seat, Rh	1
10	371728	(000000-	) Angle, Mtg, Seat Ped	1

**Fig. 57 - Label Group**

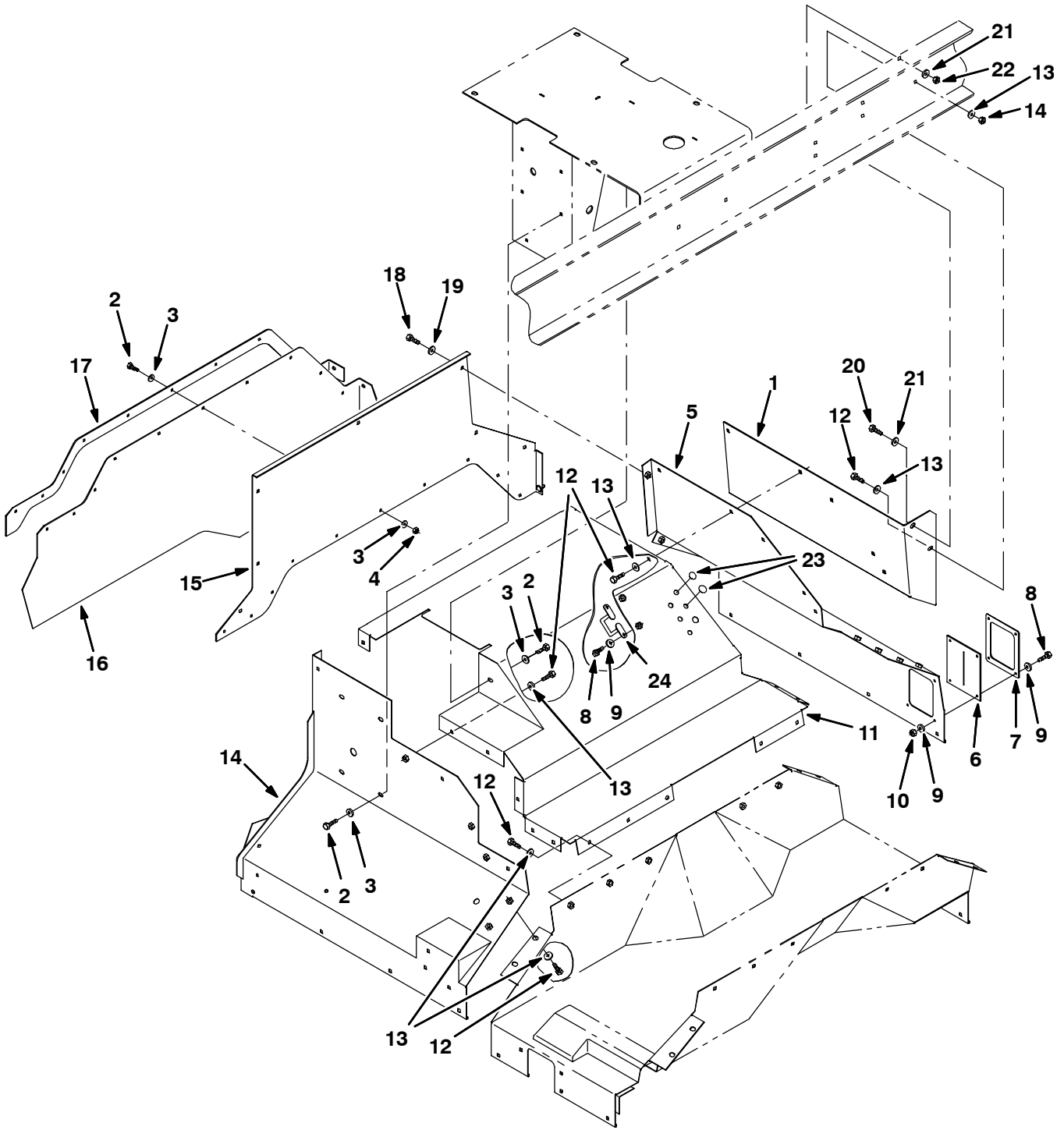


Ref.	Tennant Part No.	Machine Serial Number	Description	Qty.
1	395758	(000000- )	Label Set, Logo, [Centurion]	1
2	395744	(000000- )	Label Set, Info/Hzrd, Std, [Centurion]	1
3	396655	(000000- )	Label Set, Opertnl, Cab, [Centurion]	1
4	396612	(000000- )	Label, Info, [Grease Daily]	1

# SECTION 3

<b>Contents</b>	<b>Page</b>
Fig. 1 - Right Dry Dust Control Shroud Group .....	3-2
Fig. 2 - Left Dry Dust Control Shroud Group .....	3-4
Fig. 3 - Left Gutter Broom Dry Dust Control Group .....	3-6
Fig. 4 - Dry Dust Control Skirts Group .....	3-8
Fig. 5 - Dry Dust Control Center Shroud Group .....	3-10
Fig. 6 - Right Gutter Broom Dry Dust Control Group .....	3-12
Fig. 7 - Gutter Broom Dry Dust Control Group .....	3-14
Fig. 8 - Transport Group .....	3-16
Fig. 9 - Water Hydraunt Wrench .....	3-18
Fig. 10 - Hydraulic Oil Shutdown Group ...	3-19
Fig. 11 - Carbide Drag Shoe Group .....	3-20
Fig. 12 - Urethane Drag Shoe Group .....	3-21
Fig. 13 - Left Gutter Broom Motor Group ..	3-22
Fig. 14 - Left Gutter Broom Lift Group .....	3-24
Fig. 15 - Left Gutter Broom Water Pump Group .....	3-26
Fig. 16 - Right Hand Side Brush Power Tilt Group .....	3-28
Fig. 17 - Left Hand Side Brush Power Tilt Group .....	3-30
Fig. 18 - Side Brush Power Tilt Hydraulic Valve Group .....	3-32
Fig. 19 - Flashing Light Group .....	3-34
Fig. 20 - Revolving Light Kit .....	3-36
Fig. 21 - Work Light Kit .....	3-38
Fig. 22 - Right Hand Work Light Kit .....	3-40
Fig. 23 - Hopper Cleanout Tool .....	3-41
Fig. 24 - Hydrant Conveyor Flush Kit .....	3-42
Fig. 25 - D.O.T. Safety Group .....	3-44
Fig. 26 - Centurion Truck Manuals .....	3-45
Fig. 27 - Documentation Group .....	3-46

Fig. 1 - Right Dry Dust Control Shroud Group

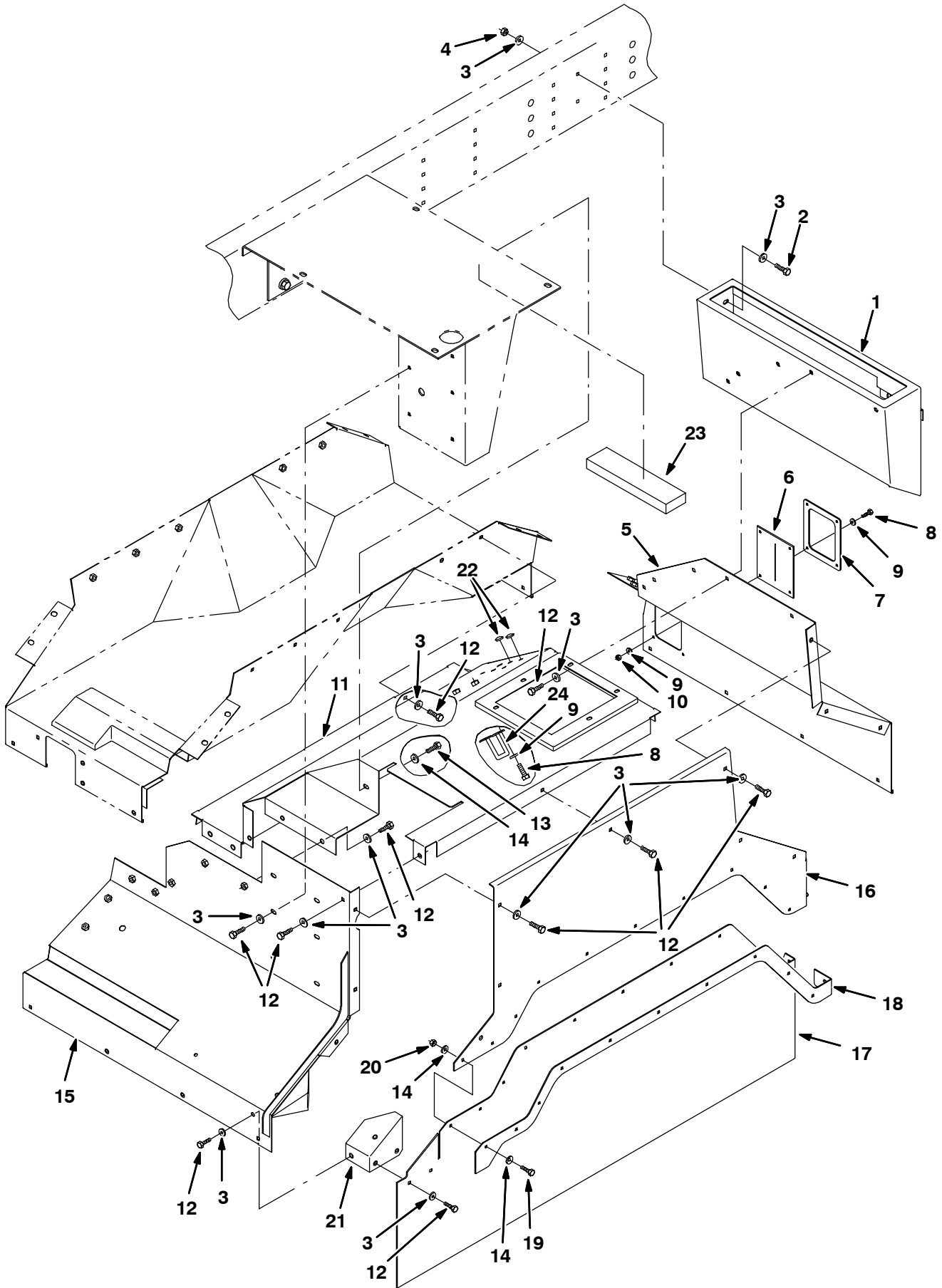




**Fig. 1 - Right Dry Dust Control Shroud Group**

<b>Ref.</b>	<b>Tennant Part No.</b>	<b>Machine Serial Number</b>	<b>Description</b>	<b>Qty.</b>
1	395299	(000000-	) Mount, Rear, Rh	1
2	09010	(000000-	) Screw, Hex, M08 X 1.25 X 25, Ss	15
3	01685	(000000-	) Washer, Flat, .31 Ss	26
4	08713	(000000-	) Nut, Hex, Lock, M08 X 1.25, NI, Ss	11
5	395362	(000000-	) Panel, Rear, Rh	1
6	395430	(000000-	) Seal, Hole	1
7	395431	(000000-	) Retainer, Seal	1
8	08716	(000000-	) Screw, Hex, M06 X 1.0 X 20, Ss	6
9	01684	(000000-	) Washer, Flat, .25 Ss	10
10	08712	(000000-	) Nut, Hex, Lock, M06 X 1.0, NI, Ss	4
11	395377	(000000-	) Panel Wldt, Top, Rh	1
12	09028	(000000-	) Screw, Hex, M10 X 1.5 X 25, Ss	3
13	01686	(000000-	) Washer, Flat, .38 Ss	35
14	395361	(000000-	) Panel Wldt, Front, Rh	1
15	395467	(000000-	) Panel, Access, Rh	1
16	395469	(000000-	) Skirt, Dust, Access Panel	1
17	395468	(000000-	) Retainer, Skirt, Rh	1
18	06961	(000000-	) Screw, Hex, M10 X 1.5 X 20, 8.8	7
19	32492	(000000-	) Washer, Flat, .38 Std	7
20	394349	(000000-	) Screw, Hex, M12 X 1.75 X 45, 10.9 Pltd	1
21	32493	(000000-	) Washer, Flat, .50 Std	2
22	394326	(000000-	) Nut, Hex, Std, M12 X 1.75, 10	1
23	02431	(000000-	) Button, Plug, 0.56h .03-.12 [Black Nyl]	2
24	1007715	(000000-	) Bar Wldt, Mtg, Hose	2

Fig. 2 - Left Dry Dust Control Shroud Group



**Fig. 2 - Left Dry Dust Control Shroud Group**

<b>Ref.</b>	<b>Tennant Part No.</b>	<b>Machine Serial Number</b>	<b>Description</b>	<b>Qty.</b>
1	395298	(000000-	) Mount, Rear, Lh	1
2	12317	(000000-	) Screw, Hex, M10 X 1.5 X 30, Ss	5
3	01686	(000000-	) Washer, Flat, .38 Ss	57
4	08714	(000000-	) Nut, Hex, Lock, M10 X 1.5, NI, Ss	5
5	395349	(000000-	) Panel, Rear, Lh	1
6	395430	(000000-	) Seal, Hole	1
7	395431	(000000-	) Retainer, Seal	1
8	08716	(000000-	) Screw, Hex, M06 X 1.0 X 20, Ss	6
9	01684	(000000-	) Washer, Flat, .25 Ss	10
10	08712	(000000-	) Nut, Hex, Lock, M06 X 1.0, NI, Ss	4
11	395358	(000000-	) Panel Wldt, Top, Lh	1
12	09028	(000000-	) Screw, Hex, M10 X 1.5 X 25, Ss	36
13	09740	(000000-	) Screw, Hex, M08 X 1.25 X 20, Ss	1
14	01685	(000000-	) Washer, Flat, .31 Ss	22
15	395348	(000000-	) Panel Wldt, Front, Lh	1
16	395938	(000000-	) Panel, Access, Lh	1
17	395990	(000000-	) Skirt, Dust, Access Panl (Rh Side Brush Only)	1
18	395939	(000000-	) Retainer, Skirt, LH (Rh Side Brush Only)	1
19	09010	(000000-	) Screw, Hex, M08X1.25, Ss (Rh Side Brush Only)	10
20	08713	(000000-	) Nut, Hex, Lock, M08X1.25, NI, Ss (Rh Side Brush Only)	11
21	396428	(000000-	) Brkt, Mtg, Skirt (Rh Side Brush Only)	1
22	02431	(000000-	) Button, Plug, 0.56h .03-.12 [Black Nyl]	2
23	1002590	(000000-	) Seal, Foam (Rh Side Brush Only)	1
24	1007715	(000000-	) Bar Wldt, Mtg, Hose	1

Fig. 3 - Left Gutter Broom Dry Dust Control Group

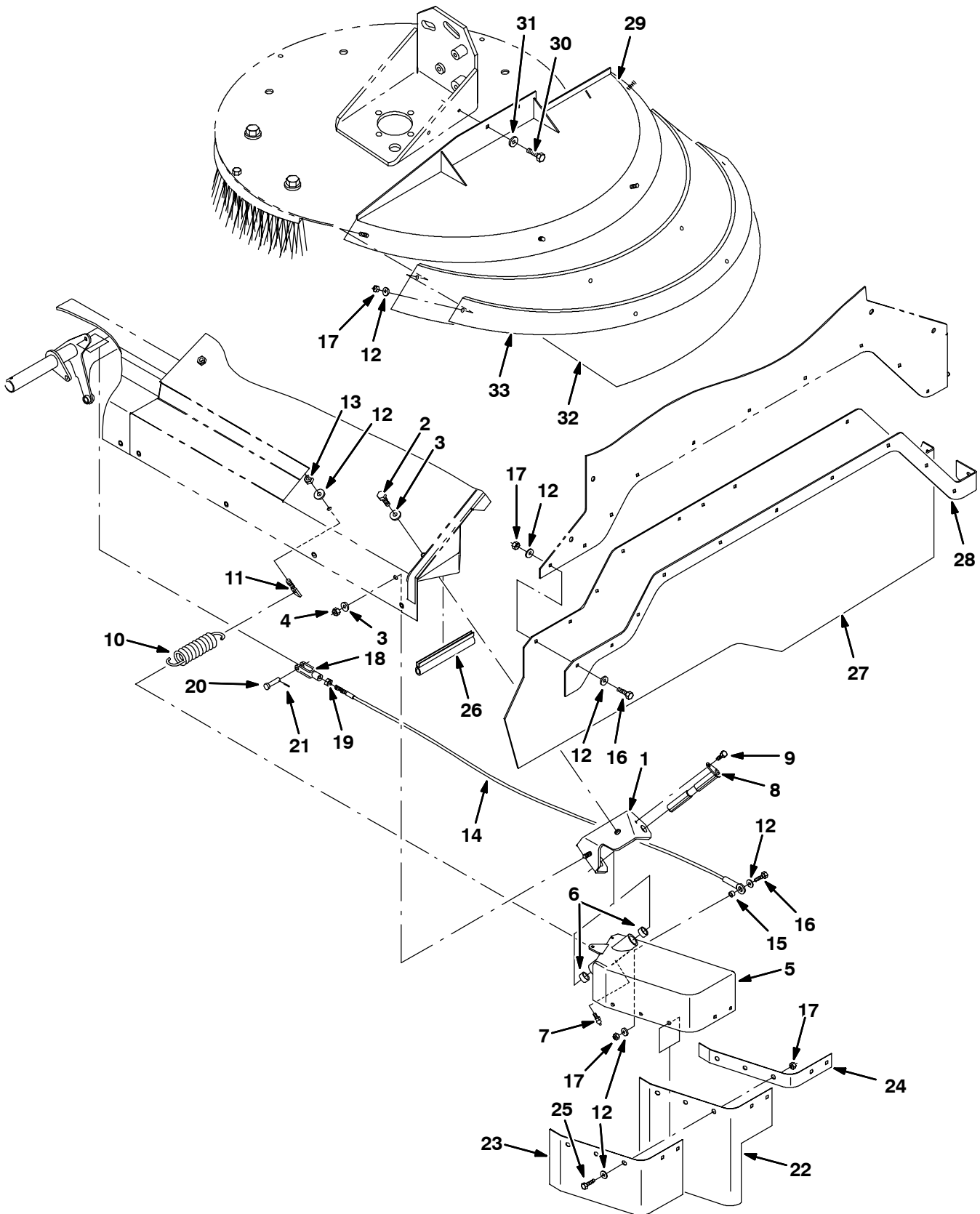
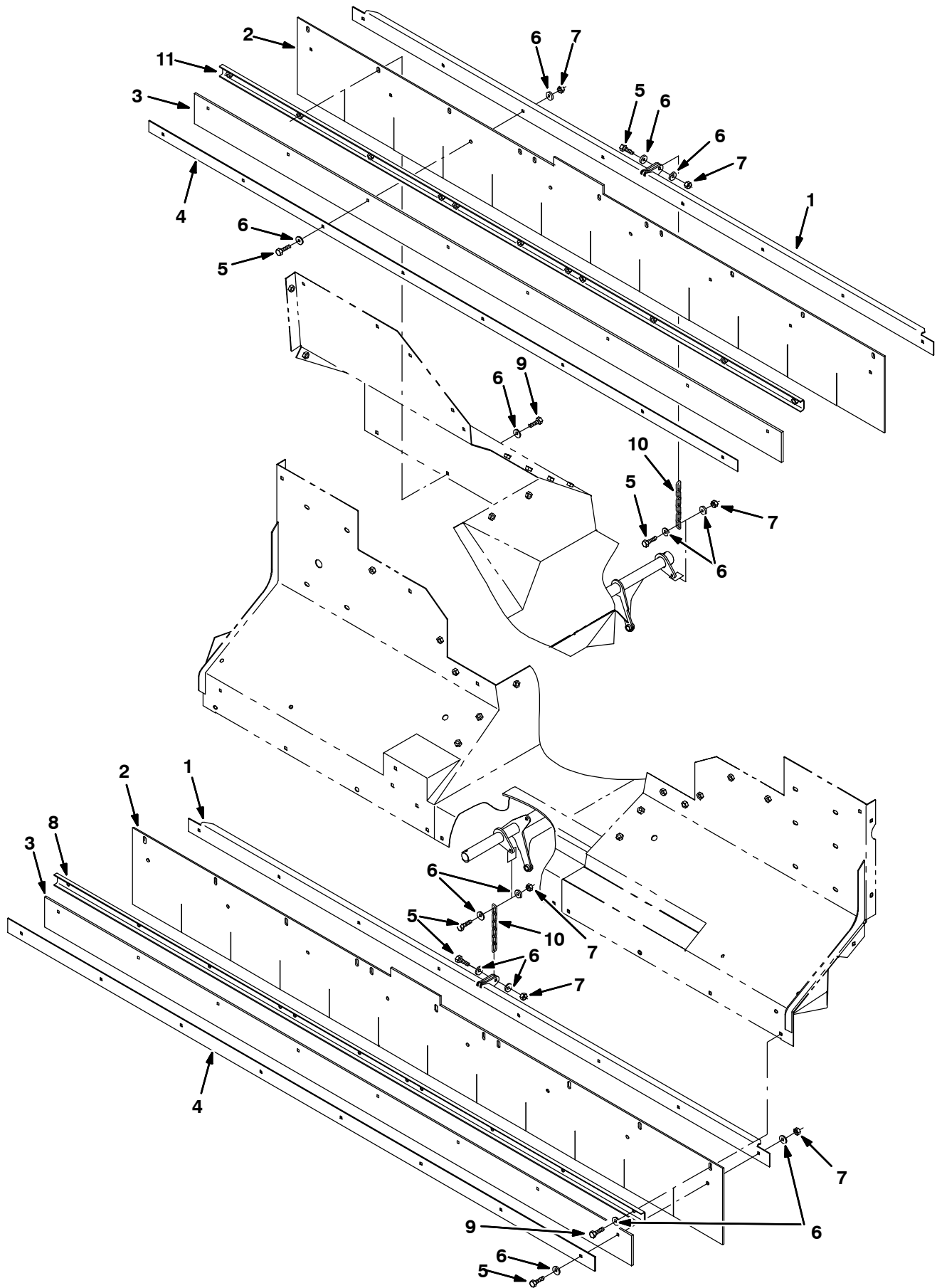


Fig. 3 - Left Gutter Broom Dry Dust Control Group

Ref.	Tennant Part No.	Machine Serial Number	Description	Qty.
1	395419	(000000-	) Bracket, Mtg, Lh	1
2	12317	(000000-	) Screw, Hex, M10 X 1.5 X 30, Ss	1
3	01686	(000000-	) Washer, Flat, .38 Ss	2
4	08714	(000000-	) Nut, Hex, Lock, M10 X 1.5, NI, Ss	1
5	395440	(000000-	) Bumper Wldt, Lh	1
6	72763	(000000-	) Bushing, Flng, 0.75b 0.88d 0.75l	2
7	06418	(000000-	) Fitting, Grease, Str Pm02 .66l	1
8	396299	(000000-	) Shaft Wldt	1
9	74455	(000000-	) Screw, Hex, M06 X 1.0 X 12, Fmg	1
10	395594	(000000-	) Spring, Extn, 1.50od X 0.18wir, 7.5l	1
11	69998	(000000-	) Bolt, Eye, M08x1.25 X 030mm 8.0 Eye	1
12	01685	(000000-	) Washer, Flat, .31 Ss	33
13	07786	(000000-	) Nut, Hex, Std, M08 X 1.25, Ss	1
14	395445	(000000-	) Cable, .19d, 48.38l, .50 Eye/M10	1
15	222516	(000000-	) Sleeve, P/M, 0.496d 0.318b 0.31l 430ss	1
16	09010	(000000-	) Screw, Hex, M08 X 1.25 X 25, Ss	11
17	08713	(000000-	) Nut, Hex, Lock, M08 X 1.25,NI, Ss	21
18	12267	(000000-	) Clevis, Adj, 0.38pin, M10x1.5	1
19	32716	(000000-	) Nut, Hex, Jam, M10 X 1.5, Ss	1
20	46657	(000000-	) Pin, Clevis, 0.37 D X 1.25l	1
21	39005	(000000-	) Pin, Cotter, .094 X 0.75	1
22	395466	(000000-	) Skirt, Dust	1
23	395937	(000000-	) Skirt, Backup, Dust	1
24	395465	(000000-	) Strip, Retainer, Skirt	1
25	09011	(000000-	) Screw, Hex, M08 X 1.25 X 30, Ss	5
26	367573	(000000-	) Seal, Bulb, Str, 0.58d .06-.09grip 07.5l	1
27	395469	(000000-	) Skirt, Dust, Access Panel	1
28	395939	(000000-	) Retainer, Skirt, Lh	1
29	395524	(000000-	) Shroud Wldt, Dust, Lh	1
30	06961	(000000-	) Screw, Hex, M10 X 1.5 X 20, 8.8	2
31	32492	(000000-	) Washer, Flat, .38 Std	2
32	395527	(000000-	) Skirt, Dust, Shrd	1
33	395528	(000000-	) Retainer, Skirt	1

Fig. 4 - Dry Dust Control Skirts Group



**Fig. 4 - Dry Dust Control Skirts Group**

<b>Ref.</b>	<b>Tennant Part No.</b>	<b>Machine Serial Number</b>	<b>Description</b>	<b>Qty.</b>
1	395678	(000000-	) Lift Wldt, Skirt	2
2	395761	(000000-	) Skirt, Dust, Front	2
3	395763	(000000-	) Skirt, Backup, Dust	2
4	395762	(000000-	) Strip, Backing, Skirt	2
5	12317	(000000-	) Screw, Hex, M10 X 1.5 X 30, Ss	20
6	01686	(000000-	) Washer, Flat, .38 Ss	62
7	08714	(000000-	) Nut, Hex, Lock, M10 X 1.5, NI, Ss	20
8	395914	(000000-	) Channel, Mtg, Skirt	1
9	09028	(000000-	) Screw, Hex, M10 X 1.5 X 25, Ss	22
10	395931	(000000-	) Chain, Str, 4/0	2
11	395760	(000000-	) Channel, Mtg, Skirt	1

Fig. 5 - Dry Dust Control Center Shroud Group

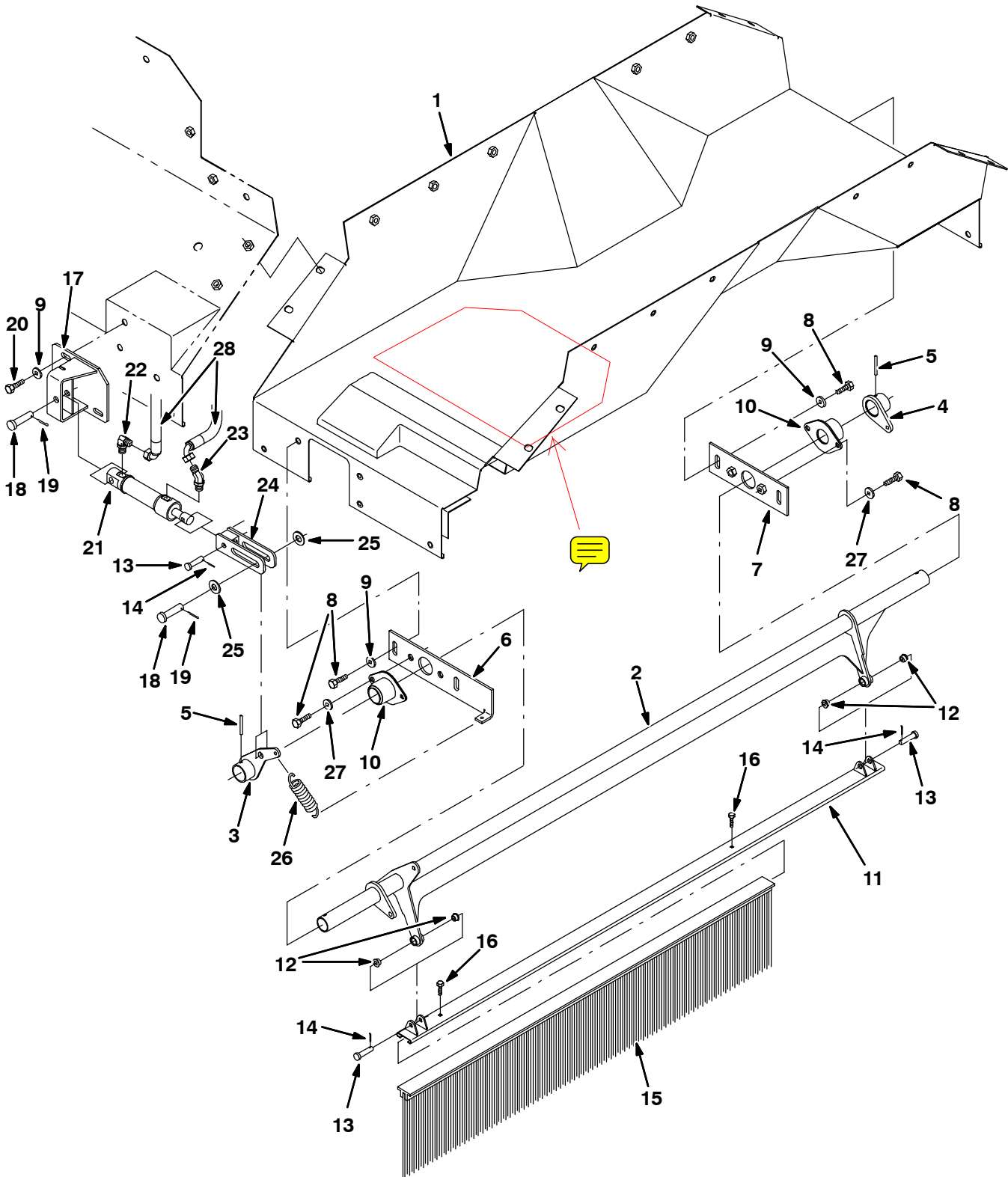




Fig. 5 - Dry Dust Control Center Shroud Group

Ref.	Tennant Part No.	Machine Serial Number	Description	Qty.
1	395346	(000000-	) Panel Wldt, Cntr	1
2	396130	(000000-	) Tube Wldt, Lift, Skirt, Cntr	1
3	396147	(000000-	) Arm Wldt, Lift, Skirt, Front	1
4	396133	(000000-	) Arm Wldt, Lift, Skirt, Cntr	1
5	1008231	(000000-	) Pin, Spirol, .187d, 1.75l, .185/.187	2
6	396143	(000000-	) Plate, Mtg, Lift, Skirt, Front	1
7	396142	(000000-	) Plate, Mtg, Lift, Skirt, Rear	1
8	09291	(000000-	) Screw, Hex, M10 X 1.5 X 20, Ss	8
9	01686	(000000-	) Washer, Flat, .38 Ss	7
10	396157	(000000-	) Bearing, Flng, 2-Hole, 1.25b	2
11	396164	(000000-	) Channel Wldt, Skirt, Brush, Cntr	1
12	44238-10	(000000-	) Bushing, Flng, 0.37b 0.50d 0.25l	4
13	29558	(000000-	) Pin, Clevis, 0.37 D X 1.50l	3
14	39005	(000000-	) Pin, Cotter, .094 X 0.75	3
15	396160	(000000-	) Deflector, Brush, Skirt, Cntr	1
16	58230	(000000-	) Screw, Hex, .25-14 X 0.50, Fmg, [Ab]	2
17	396150	(000000-	) Plate Wldt, Mtg, Cyl, Lift, Skirt	1
18	63147	(000000-	) Pin, Clevis, 0.50 D X 1.87l	2
19	08182	(000000-	) Pin, Cotter, .125 X 1.00	2
20	09028	(000000-	) Screw, Hex, M10 X 1.5 X 25, Ss	3
21	394431	(000000-	) Cylinder, Hyd 1.0b,07.8l,02.75strk,3000	1
22	77097	(000000-	) Fitting, Hyd, E90, Jm04/Om04	3
23	34359	(000000-	) Fitting, Hyd, E45, Jm04/Om04	1
24	396144	(000000-	) Clevis Wldt, Lift, Skirt	1
25	64154	(000000-	) Washer, 0.53b 1.12d .11, Stl, PI	2
26	379217	(000000-	) Spring, Extn, 1.00od X 0.11wir, 5.5l	1
27	33924	(000000-	) Washer, Flat, M10, 10.5x21x2ss	4
28	396250	(000000-	) Hose, Hyd,Tc 04, Jf04str /Jf04e90 ,156.0	2

Fig. 6 - Right Gutter Broom Dry Dust Control Group

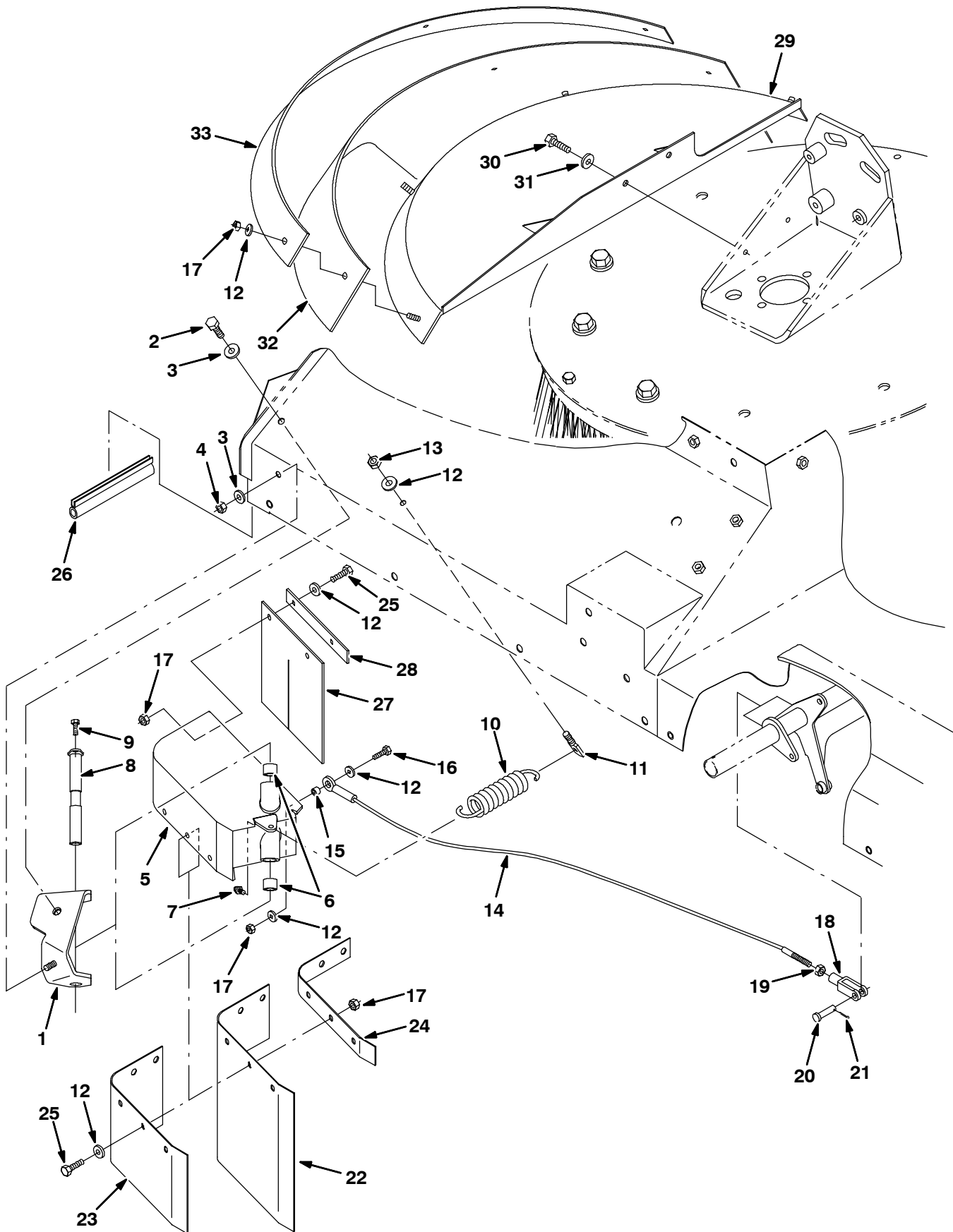


Fig. 6 - Right Gutter Broom Dry Dust Control Group

Ref.	Tennant Part No.	Machine Serial Number	Description	Qty.
1	395418	(000000-	) Bracket, Mtg, Rh	1
2	12317	(000000-	) Screw, Hex, M10 X 1.5 X 30, Ss	1
3	01686	(000000-	) Washer, Flat, .38 Ss	2
4	08714	(000000-	) Nut, Hex, Lock, M10 X 1.5, NI, Ss	1
5	395438	(000000-	) Bumper Wldt, Rh	1
6	72763	(000000-	) Bushing, Flng, 0.75b 0.88d 0.75l	2
7	06418	(000000-	) Fitting, Grease, Str Pm02 .66l	1
8	396299	(000000-	) Shaft Wldt	1
9	74455	(000000-	) Screw, Hex, M06 X 1.0 X 12, Fmg	1
10	395594	(000000-	) Spring, Extn, 1.50od X 0.18wir, 7.5l	1
11	69998	(000000-	) Pin, Spirol, .187d, 1.75l, .185/.187	1
12	01685	(000000-	) Washer, Flat, .31 Ss	14
13	07786	(000000-	) Nut, Hex, Std, M08 X 1.25, Ss	1
14	395443	(000000-	) Cable, .19d, 44.08l, .50 Eye/M10	1
15	222516	(000000-	) Sleeve, P/M, 0.496d 0.318b 0.31l 430ss	1
16	09010	(000000-	) Screw, Hex, M08 X 1.25 X 25, Ss	1
17	08713	(000000-	) Nut, Hex, Lock, M08 X 1.25,NI, Ss	12
18	12267	(000000-	) Clevis, Adj, 0.38pin, M10x1.5	1
19	32716	(000000-	) Nut, Hex, Jam, M10 X 1.5, Ss	1
20	46657	(000000-	) Pin, Clevis, 0.37 D X 1.25l	1
21	39005	(000000-	) Pin, Cotter, .094 X 0.75	1
22	395466	(000000-	) Skirt, Dust	1
23	395937	(000000-	) Skirt, Backup, Dust	1
24	395465	(000000-	) Strip, Retainer, Skirt	1
25	09011	(000000-	) Screw, Hex, M08 X 1.25 X 30, Ss	7
26	367573	(000000-	) Seal, Bulb, Str, 0.58d .06-.09grip 07.5l	1
27	396361	(000000-	) Skirt, Bmpr, Inside	1
28	396391	(000000-	) Retainer, Skirt	1
29	395522	(000000-	) Shroud Wldt, Dust, Rh	1
30	06961	(000000-	) Screw, Hex, M10 X 1.5 X 20, 8.8	2
31	32492	(000000-	) Washer, Flat, .38 Std	2
32	395527	(000000-	) Skirt, Dust, Shrd	1
33	395528	(000000-	) Retainer, Skirt	1

Fig. 7 - Gutter Broom Dry Dust Control Group

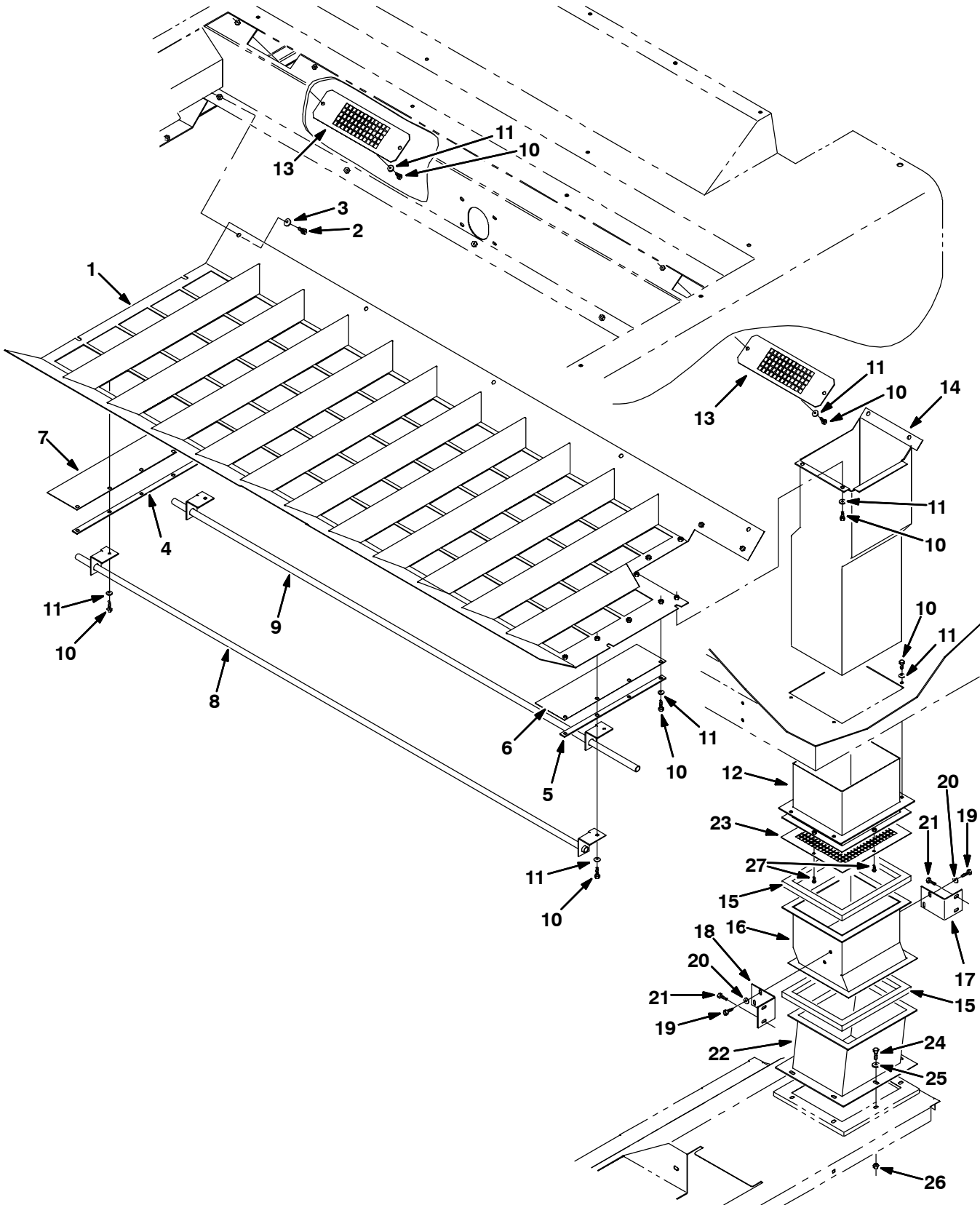
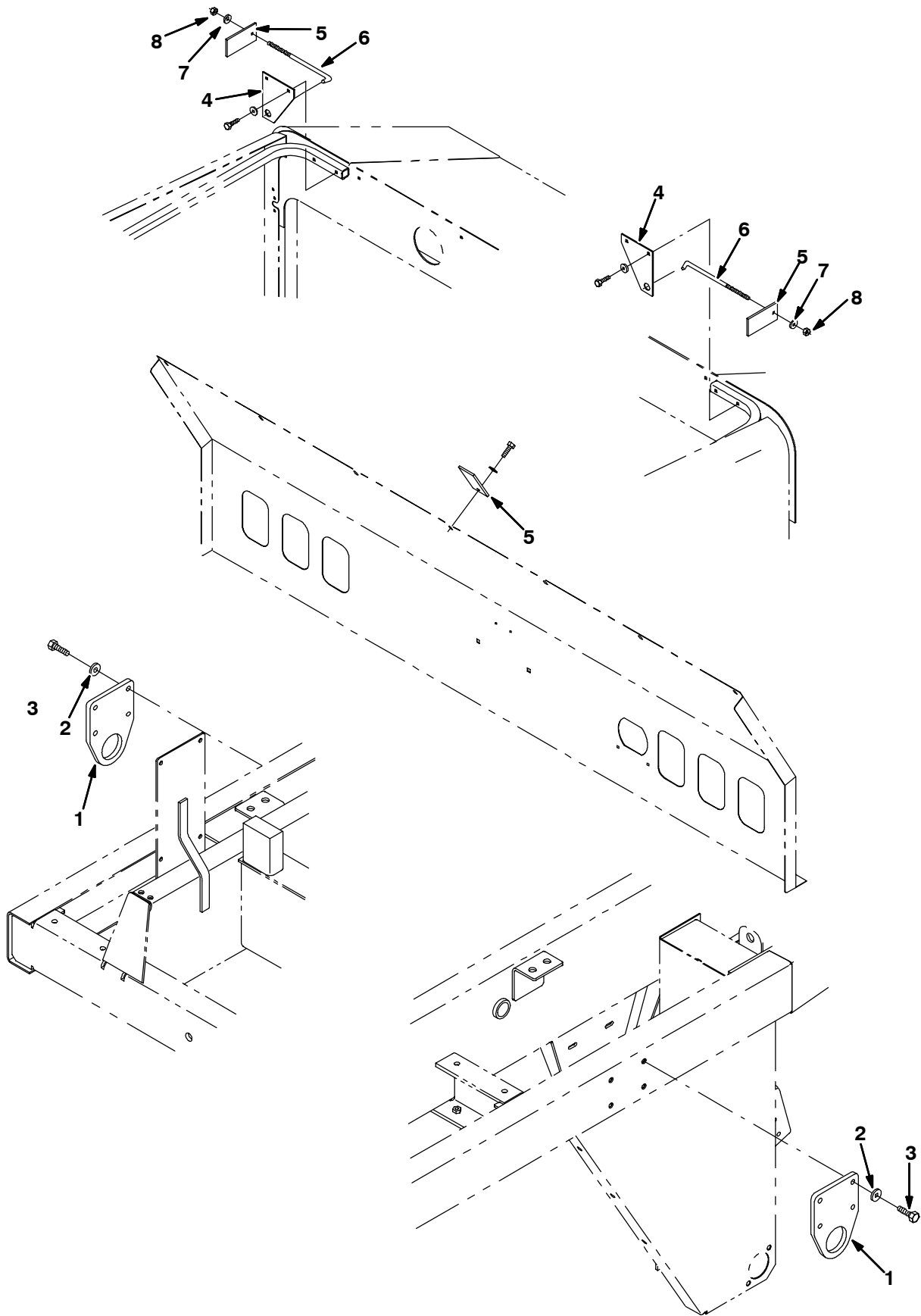


Fig. 7 - Gutter Broom Dry Dust Control Group

Ref.	Tennant Part No.	Machine Serial Number	Description	Qty.
1	395604	(000000-	) Plate Wldt, Tray	1
2	09010	(000000-	) Screw, Hex, M08 X 1.25 X 25, Ss	9
3	32491	(000000-	) Washer, Flat, .31 Std	9
4	394653	(000000-	) Bar, Retainer	11
5	394656	(000000-	) Bar, Retainer	1
6	394652	(000000-	) Blade, Seal	1
7	394657	(000000-	) Blade, Seal	11
8	395928	(000000-	) Tube Wldt, Sppt	1
9	395929	(000000-	) Tube Wldt, Sppt	1
10	06943	(000000-	) Screw, Hex, M06 X 1.0 X 20, 8.8	82
11	32483	(000000-	) Washer, Flat, .25 Sae	82
12	395498	(000000-	) Duct Wldt, Upper	1
13	395000	(000000-	) Screen	2
14	395885	(000000-	) Duct Wldt, Broom, Gutter	1
15	395296	(000000-	) Gasket, Vacuum, Duct	2
16	395917	(000000-	) Duct Wldt, Cntr	1
17	395924	(000000-	) Bracket, Angle	1
18	395923	(000000-	) Bracket, Angle	1
19	06942	(000000-	) Screw, Hex, M06 X 1.0 X 16, 8.8	4
20	32490	(000000-	) Washer, Flat, .25 Std	4
21	361339	(000000-	) Screw, Hex, M06 X 1.0 X 16, Fmg	4
22	395295	(000000-	) Duct Wldt, Lower	1
23	396611	(000000-	) Screen, Vacuum	1
24	16931	(000000-	) Screw, Hex, M08 X 1.25 X 20, 8.8	6
25	32491	(000000-	) Washer, Flat, .31 Std	6
26	08709	(000000-	) Nut, Hex, Lock, M08 X 1.25,NI	6
27	09164	(000000-	) Screw, Btn, M06 X 1.00 X 20, Blk	4

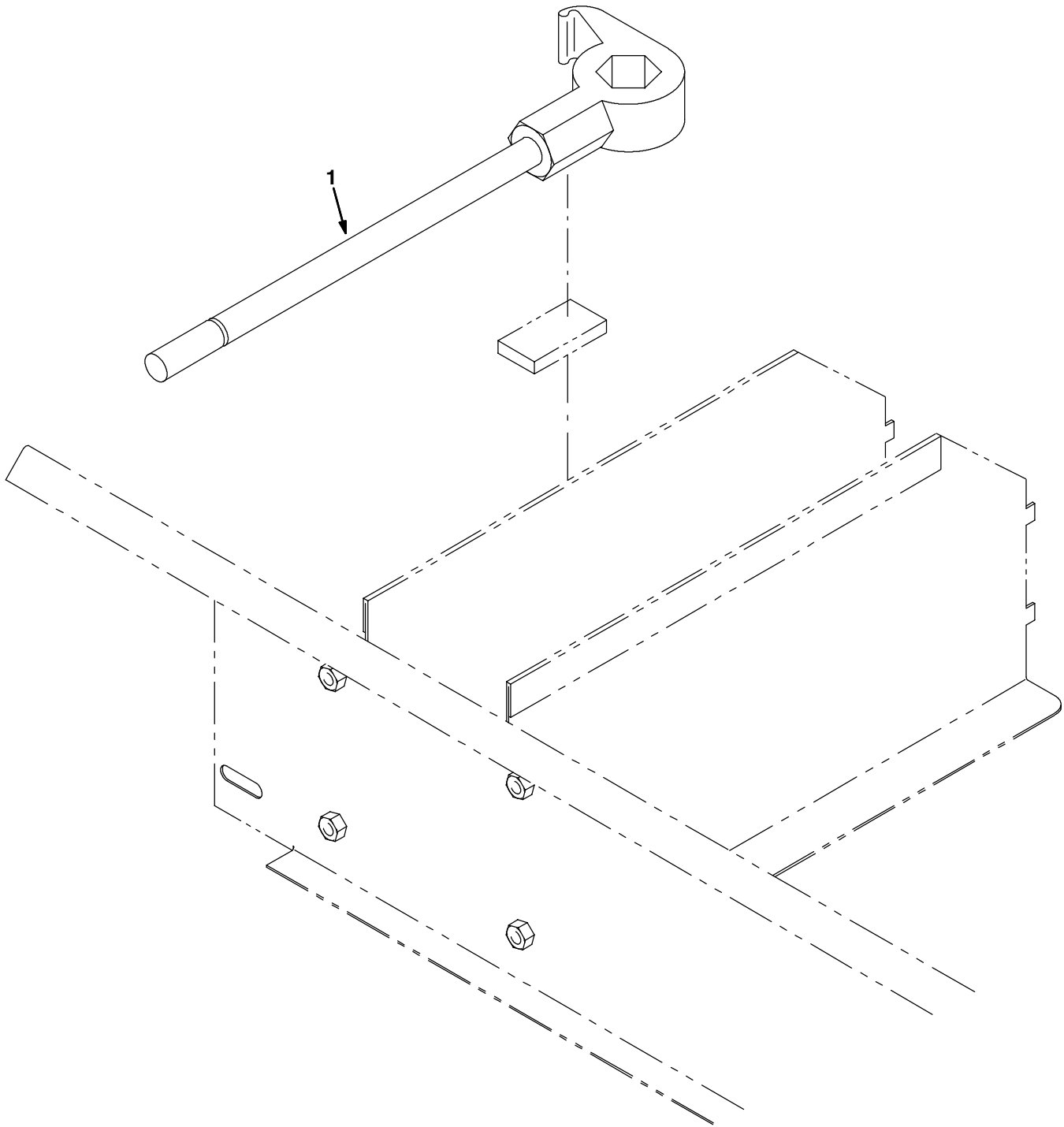
Fig. 8 - Transport Group



**Fig. 8 - Transport Group**

<b>Ref.</b>	<b>Tennant Part No.</b>	<b>Machine Serial Number</b>	<b>Description</b>	<b>Qty.</b>
1	395660	(000000-	) Bracket, Tie-Down	2
2	32492	(000000-	) Washer, Flat, .38 Std	8
3	07299	(000000-	) Screw, Hex, M10 X 1.25 X 25, 8.8	8
4	396685	(000000-	) Plate, Sppt	2
5	396686	(000000-	) Plate, Sppt	3
6	13015	(000000-	) Bolt, Hold-Down, Battery 08.5l	2
7	39349	(000000-	) Washer, Flat, 0.31 Sae	2
8	32983	(000000-	) Nut, Hex, Lock, .31-18, NI	2

**Fig. 9 - Water Hydrant Wrench**

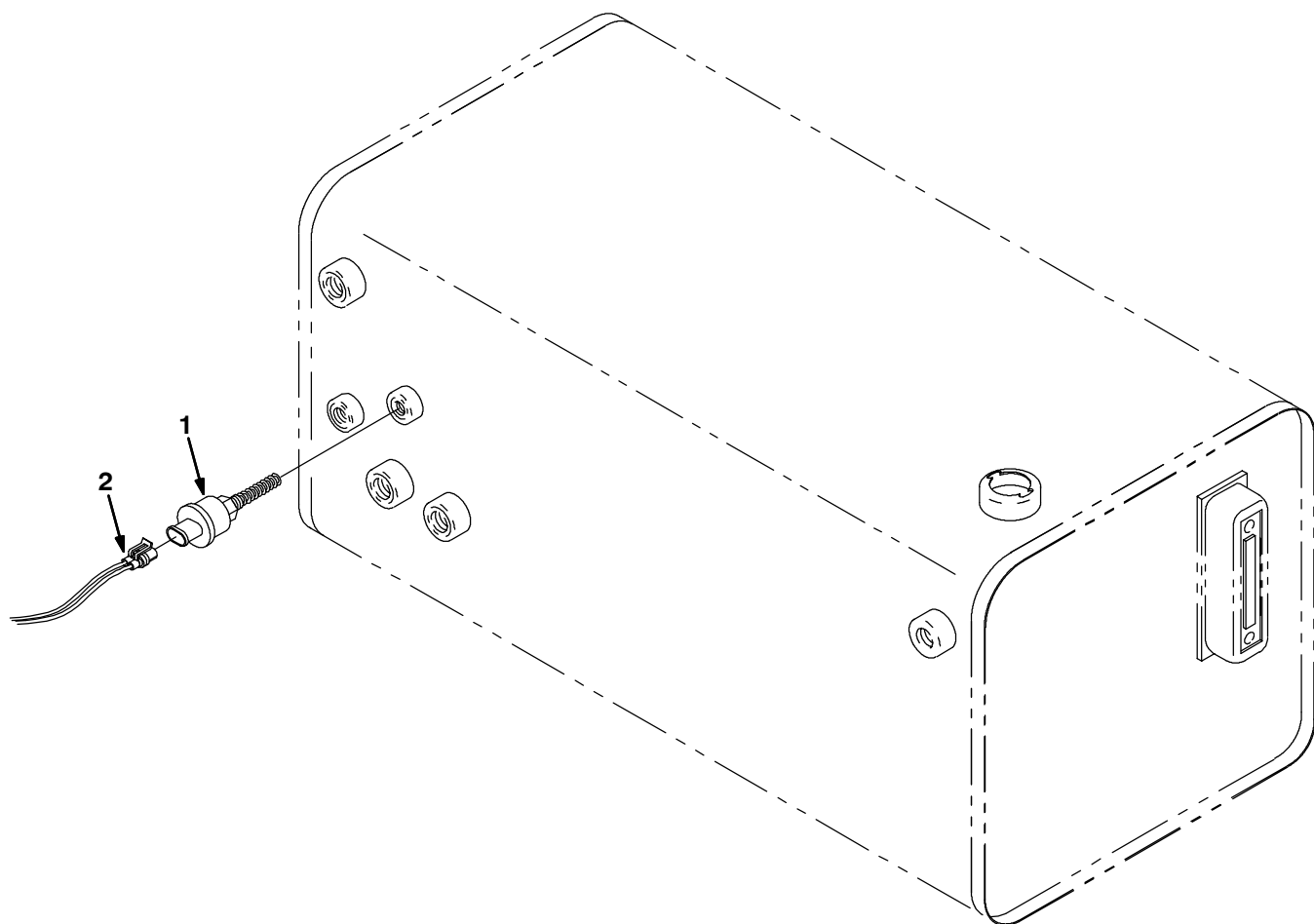


353740

Ref.	Tenant Part No.	Machine Serial Number	Description	Qty.
1	768318	(000000-	) Wrench, Hydrant	1



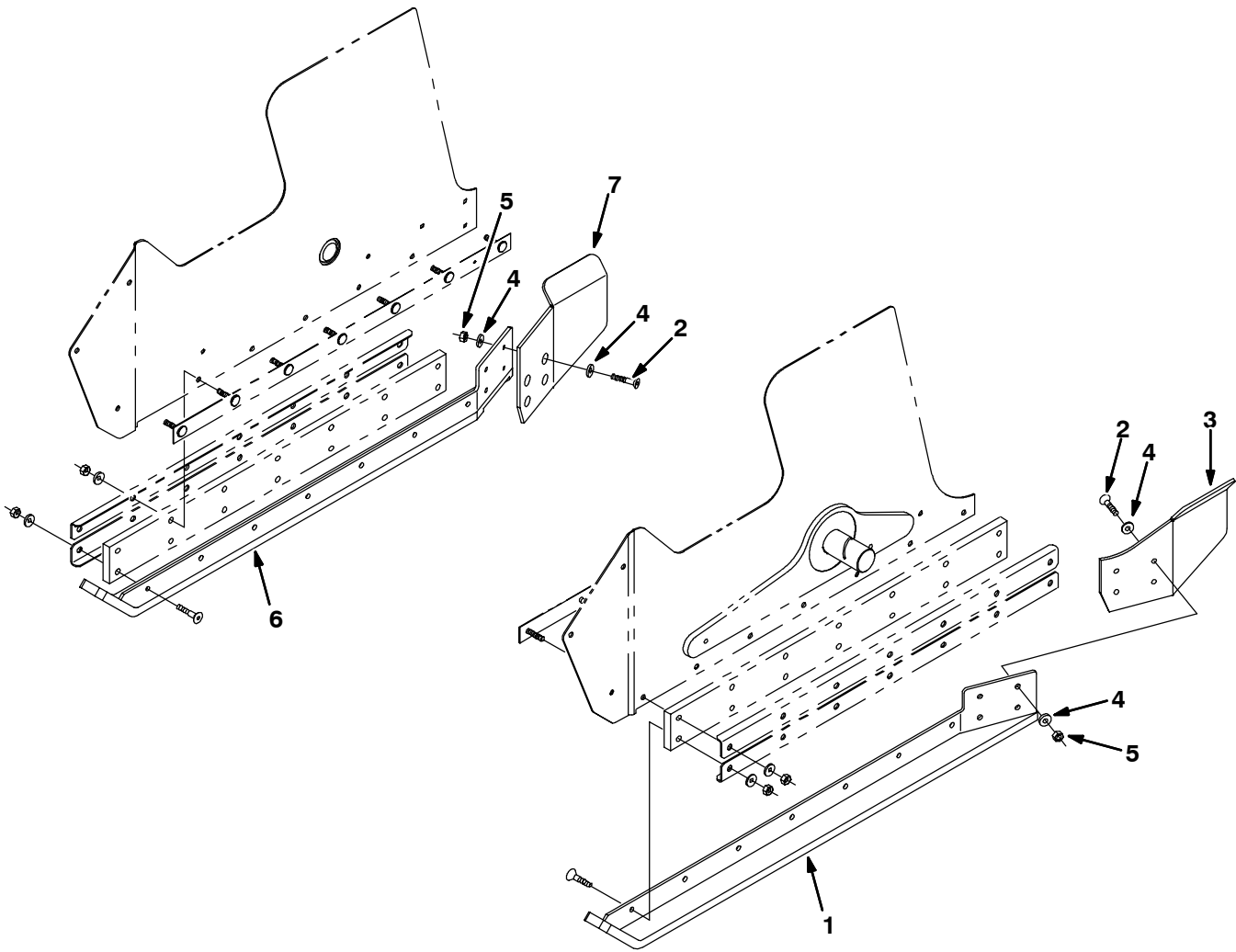
Fig. 10 - Hydraulic Oil Shutdown Group



353740

Ref.	Tennant Part No.	Machine Serial Number	Description	Qty.
1	770547	(000000- )	Switch, Fluid Level Sensor	1
2	770548	(000000- )	'Harness, Wire Assy, Fluid Level Sensor	1

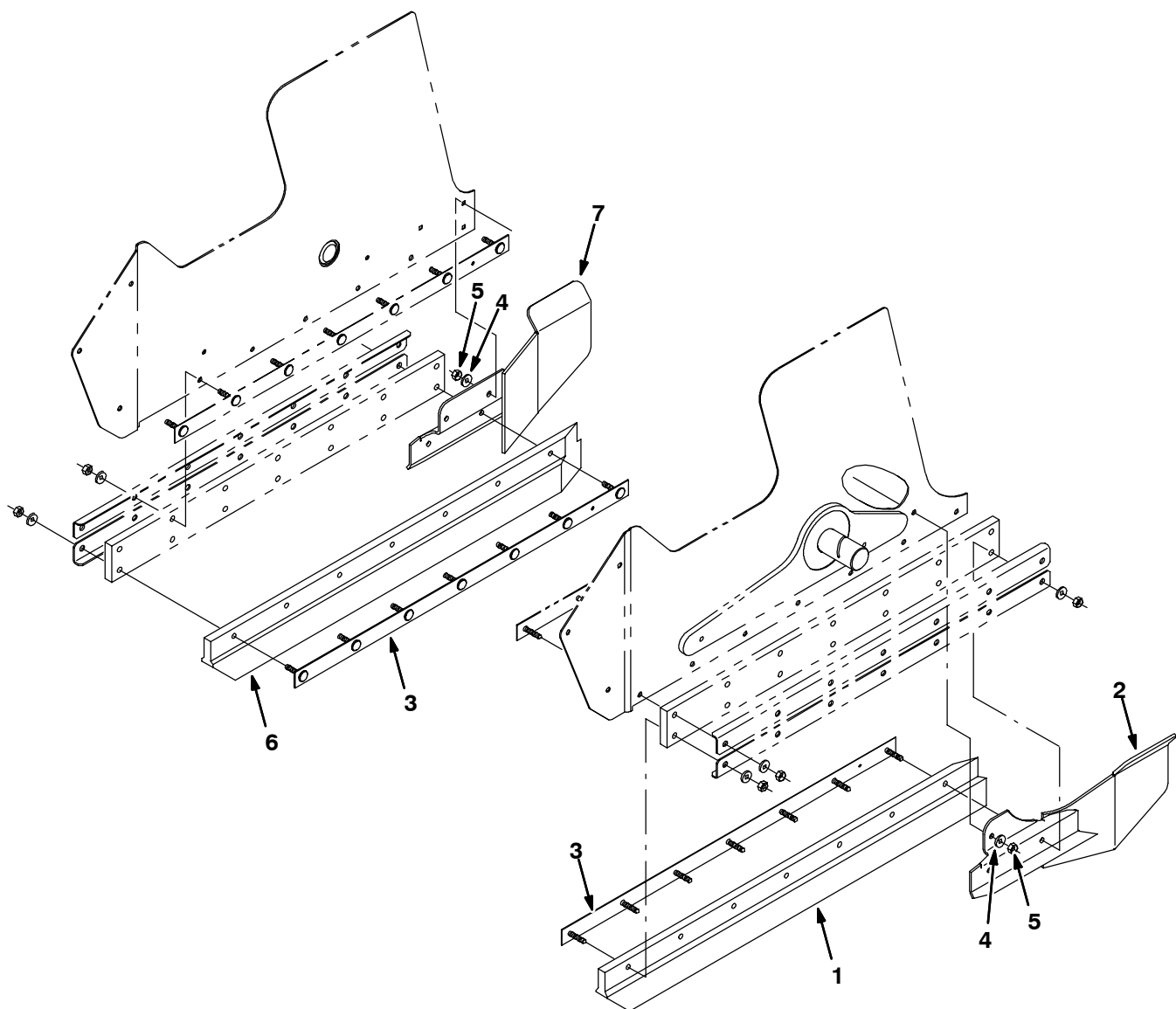
**Fig. 11 - Carbide Drag Shoe Group**



353742

Ref.	Tennant Part No.	Machine Serial Number	Description	Qty.
9000275	1 <del>994240</del>	(000000-	) Shoe Wldt, Drag, Lh	1
	2 395825	(000000-	) Screw, Flt, M10 X 1.5 X 30, 10.9	8
	3 394304	(000000-	) Plate, Shield, Brush, Lh	1
	4 32492	(000000-	) Washer, Flat, .38 Std	8
	5 41430	(000000-	) Nut, Hex, Lock, M10 X 1.5, NI	8
9000278	6 <del>994298</del>	(000000-	) Shoe Wldt, Drag, Rh	1
	7 394305	(000000-	) Plate, Shield, Brush, Rh	1

Fig. 12 - Urethane Drag Shoe Group



353751

Ref.	Tennant Part No.	Machine Serial Number	Description	Qty.
1	394283	(000000-	) Shoe, Drag, Lh	1
2	394308	(000000-	) Brush Wldt, Shield, Lh	1
3	394307	(000000-	) Bar, Shoe, Drag	2
4	32492	(000000-	) Washer, Flat, .38 Std	3
5	41430	(000000-	) Nut, Hex, Lock, M10 X 1.5, NI	3
6	394282	(000000-	) Shoe, Drag, Rh	1
7	394309	(000000-	) Brush Wldt, Shield, Rh	1

Fig. 13 - Left Gutter Broom Motor Group

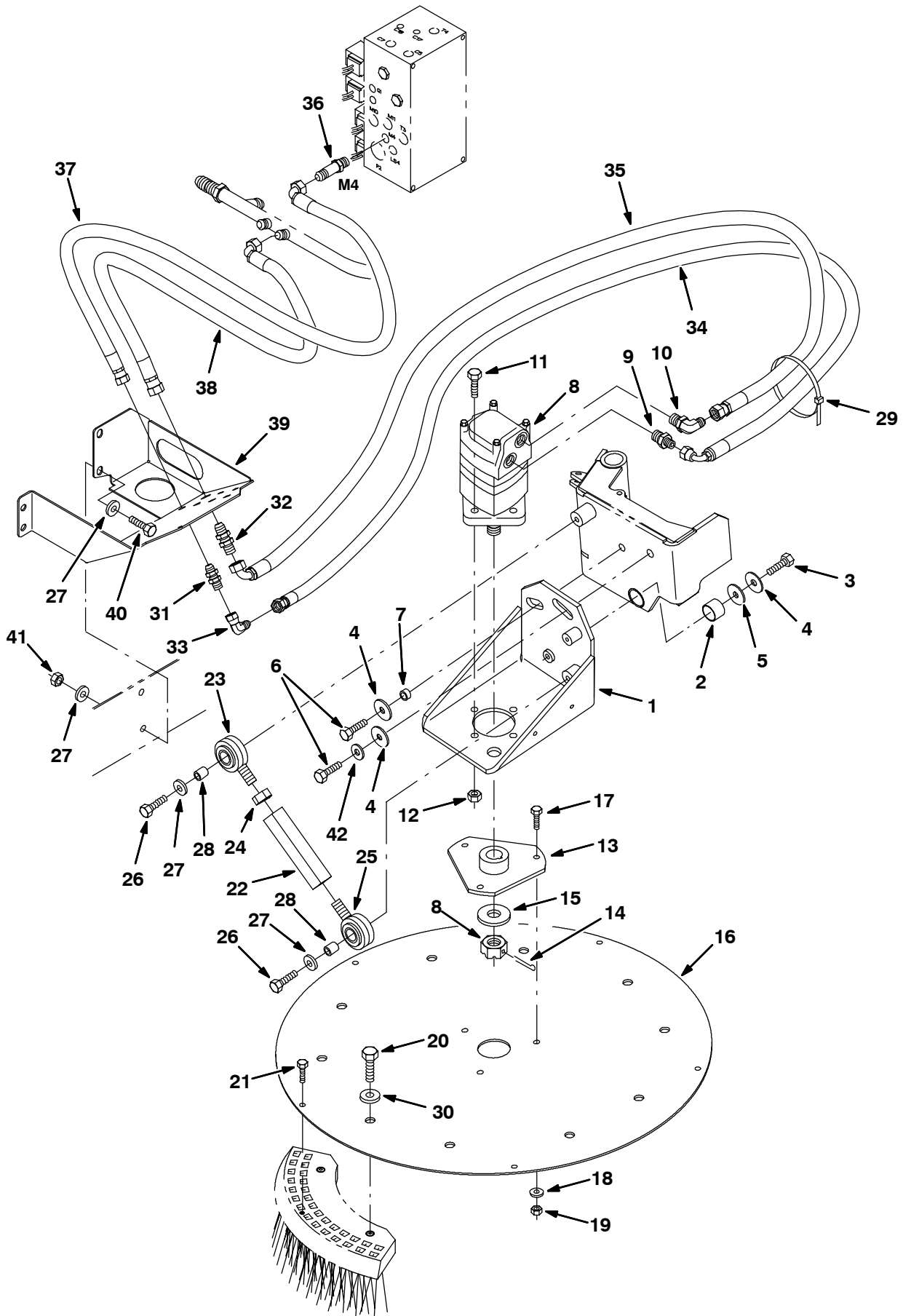


Fig. 13 - Left Gutter Broom Motor Group

Ref.	Tennant Part No.	Machine Serial Number	Description	Qty.
1	395012	(000000-	) Mount Wldt, Motor, Lh	1
2	57936	(000000-	) Bushing, Sleeve, 1.25b 1.41d 1.00l, Tef	1
3	09745	(000000-	) Screw, Hex, M12 X 1.75 X 25, Ss	1
4	04414	(000000-	) Washer, 0.53b 1.88d .12, Stl, Pl	3
5	394628	(000000-	) Washer, 0.50b 1.75d .12, Nyl	1
6	09029	(000000-	) Screw, Hex, M12 X 1.75 X 40, Ss	2
7	395509	(000000-	) Bushing, Sleeve, 0.51b 0.75d .42l	1
8	394433	(000000-	) Motor, Hyd, Gear, [In] 11.9 B 3000 (See Breakdowns)	1
9	47508	(000000-	) Fitting, Hyd, Str, Jm06/Om10	1
10	56821	(000000-	) Fitting, Hyd, E90, Jm08/Om10	1
11	09029	(000000-	) Screw, Hex, M12 X 1.75 X 40, Ss	4
12	09741	(000000-	) Nut, Hex, Lock, M12 X 1.75,NI, Ss	4
13	761428	(000000-	) Hub, Brush	1
14	08202	(000000-	) Pin, Cotter, .125 X 1.75	1
15	32969	(000000-	) Washer, Flat, 1.00 Sae Hard	1
16	396737	(000000-	) Panel Wldt, Brush W/ Labels	1
17	12317	(000000-	) Screw, Hex, M10 X 1.5 X 30, Ss	3
18	01686	(000000-	) Washer, Flat, .38 Ss	3
19	08714	(000000-	) Nut, Hex, Lock, M10 X 1.5, NI, Ss	3
20	48415	(000000-	) Screw, Hex, .62-11 X 1.50, 5	10
21	27988	(000000-	) Screw, Hex, .38-16 X 1.50, 5	5
22	394629	(000000-	) Bar, Sq, Adj	1
23	368336	(000000-	) Rod-End, .75-16rh Mal 0.75b	1
24	35886	(000000-	) Nut, Hex, Jam, .75-16	1
25	394442	(000000-	) Rod-End, .75-16lh Mal 0.75b	1
26	09774	(000000-	) Screw, Hex, M12 X 1.75 X 50, Ss	2
27	32486	(000000-	) Washer, Flat, .50 Sae	6
28	394643	(000000-	) Tube, 0.75d 0.50b 0.844l	2
29	763113	(000000-	) Tie, Cable, 20.0l, 6.00d Max	3
30	15331	(000000-	) Washer, Flat, .62 Sae	10
31	35904	(000000-	) Fitting, Hyd, Nut, Jm06	1
32	82918	(000000-	) Fitting, Hyd, Str, Jm08/Jm08 Bkhd	1
33	47504	(000000-	) Fitting, Hyd, E90, Jm06/Jf06	1
34	386711	(000000-	) Hose, Hyd, Tc 06, Jf Str/E90 , 48.0l	1
35	396223	(000000-	) Hose, Hyd,Tc 08, Jf08str /Jf08e90 , 50.0	1
36	59577	(000000-	) Fitting, Hyd, Str, Jm06om06l	1
37	396205	(000000-001060	) Hose, Hyd,Tc 06, Jm06strb/Jf06e90 ,114.0	1
37	396778	(001061-	) Hose, Hyd, Tc06,Jm06strb/Jf06e90, 118.0	1
38	82820	(000000-	) Hose, Hyd,Med08, Jf08str /Jf08e90 , 34.0	1
39	1010511	(000000-	) Bracket, Hyd, Lh	1
40	394349	(000000-	) Screw, Hex, M12 X 1.75 X 45, 10.9 Pltd	2
41	394326	(000000-	) Nut, Hex, Std, M12 X 1.75, 10	2
42	36328	(000000-	) Washer, Belleville, .50	1

Fig. 14 - Left Gutter Broom Lift Group

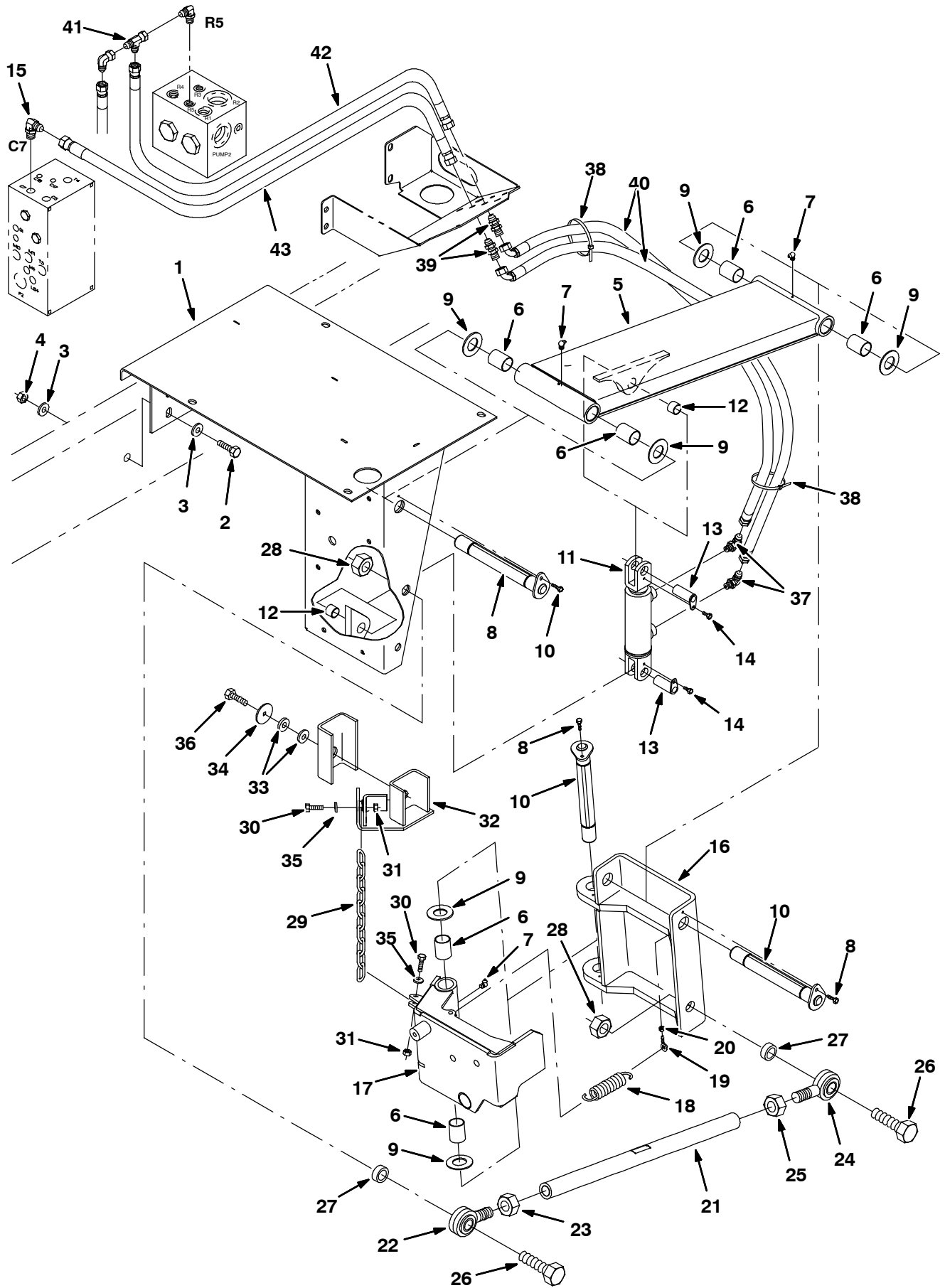
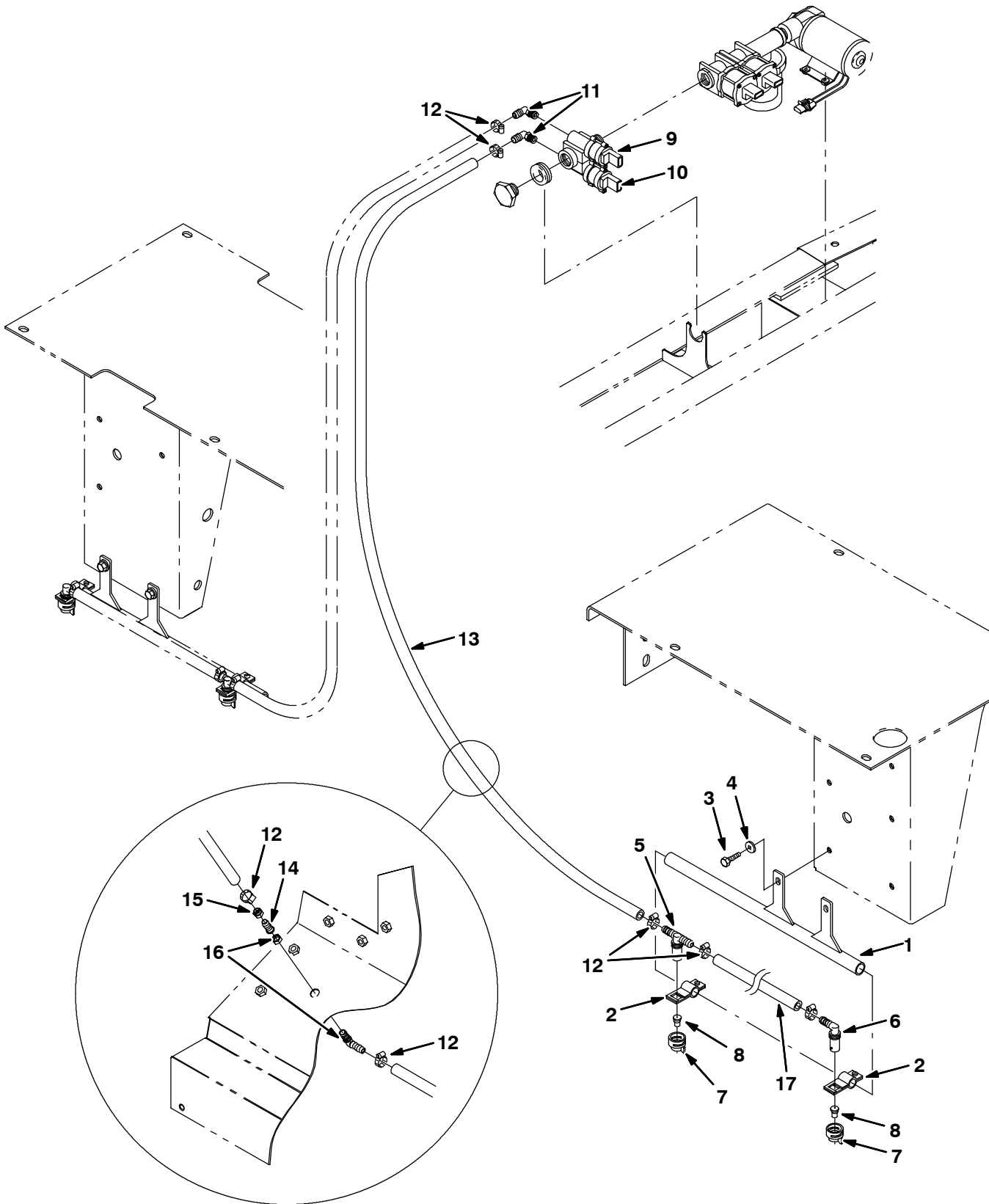


Fig. 14 - Left Gutter Broom Lift Group

Ref.	Tennant Part No.	Machine Serial Number	Description	Qty.
1	394459	(000000-	) Mount Wldt, Lh	1
2	394349	(000000-	) Screw, Hex, M12 X 1.75 X 45, 10.9 Pltd	9
3	32493	(000000-	) Washer, Flat, .50 Std	14
4	394326	(000000-	) Nut, Hex, Std, M12 X 1.75, 10	9
5	394465	(000000-	) Arm Wldt, Lift	1
6	394445	(000000-	) Bearing, Journal	6
7	11048	(000000-	) Fitting, Grease, E90 Pm02 .84l	3
8	395389	(000000-	) Shaft Wldt	3
9	394446	(000000-	) Bearing, Thrust, 1.25b 2.38d 0.12w	6
10	74455	(000000-	) Screw, Hex, M06 X 1.0 X 12, Fmg	3
11	394452	(000000-	) Cylinder, Hyd 2.0b,11.3l,04.00strk,3000	1
12	394681	(000000-	) Bearing, Journal	2
13	1007105	(000000-	) Pin Wldt, Clevis	2
14	11635	(000000-	) Screw, Hex, M6 X 1.0 X 12, Ss, NI	2
15	56820	(000000-	) Fitting, Hyd, E90, Jm06/Om06	1
16	396731	(000000-	) Channel Wldt, Lh W/ Label	1
17	395014	(000000-	) Pivot Wldt, Lh	1
18	394461	(000000-	) Spring, Extn, 1.25od X 0.15wir, 7.0l	2
19	395387	(000000-	) Bolt, Eye, M6x1.0 X 1.5l, .39 Eye	2
20	07785	(000000-	) Nut, Hex, Std, M06 X 1.0 , Ss	2
21	394470	(000000-	) Bar, Adj	1
22	394443	(000000-	) Rod-End, 1.00-14rh Mal 1.00b	1
23	48988	(000000-	) Nut, Hex, Jam, 1.00-14	1
24	394444	(000000-	) Rod-End, 1.00-14lh Mal 1.00b	1
25	395518	(000000-	) Nut, Hex, Jam, 1.00-14, G5, Left	1
26	39912	(000000-	) Screw, Hex, 1.00-08 X 3.50, 5	2
27	1008860	(000000-	) Tube, Spacer, Pltd	2
28	02589	(000000-	) Nut, Hex, Lock, 1.00-08, NI	2
29	394642	(000000-	) Chain, 29 Link	1
30	77347	(000000-	) Screw, Hex, M10 X 1.5 X 35, Ss	2
31	08714	(000000-	) Nut, Hex, Lock, M10 X 1.5, NI, Ss	2
32	394967	(000000-	) Mount Wldt, Stop, Lh	1
33	32493	(000000-	) Washer, Flat, .50 Std	2
34	58228	(000000-	) Washer, 0.44b 2.00d .12, Stl, PI	1
35	01686	(000000-	) Washer, Flat, .38 Ss	2
36	32731	(000000-	) Screw, Hex, M10 X 1.5 X 50, Ss	1
37	77098	(000000-	) Fitting, Hyd, E90, Jm06/Om04	2
38	763113	(000000-	) Tie, Cable, 20.0l, 6.00d Max	2
39	35904	(000000-	) Fitting, Hyd, Nut, Jm06	2
40	396221	(000000-	) Hose, Hyd,Tc 06, Jf06str /Jf06e90 , 40.0	2
41	42215	(000000-	) Fitting, Hyd, Tee, Jm06/Jm06/Jf06	1
42	396249	(000000-	) Hose, Hyd,Med06, Jm06strb/Jf06str , 70.0	1
43	396247	(000000-	) Hose, Hyd,Tc 06, Jf06str /Jf06str ,124.0	1

Fig. 15 - Left Gutter Broom Water Pump Group



With Dry Dust Control Option



**Fig. 15 - Left Gutter Broom Water Pump Group**

<b>Ref.</b>	<b>Tennant Part No.</b>	<b>Machine Serial Number</b>	<b>Description</b>	<b>Qty.</b>
1	395934	(000000-	) Tube Wldt, Spray	1
2	394981	(000000-	) Clamp, Bar, Spray Nozzle	2
3	09010	(000000-	) Screw, Hex, M08 X 1.25 X 25, Ss	2
4	01685	(000000-	) Washer, Flat, .31 Ss	2
5	394982	(000000-	) Fitting, Plstc, Tee, Spray Nozzle	1
6	394983	(000000-	) Fitting, Plstc, E90, Spray Nozzle	1
7	394985	(000000-	) Cap, Nozzle, Spray, Plstc	2
8	395904	(000000-	) Nozzle, [Floodjet 30dt7.5]	2
9	396308	(000000-	) Valve Assy, Manifold, 12vdc [2209-1]	1
10	396307	(000000-	) Valve Assy, Manifold, 12vdc [2208-1]	1
11	65581	(000000-	) Fitting, Plstc, E90, Bm08/Pm04	2
12	54333	(000000-	) Clamp, Hose, Wormdrive, 0.31-0.88d	7
13	396514	(000000-	) Hose, Pvc, Brd, 0.50id 0.73od	1
14	396303	(000000-	) Fitting, Plstc, Str, Bm08/FIng	1
15	762234	(000000-	) Cap, Nozzle, Spray, Nylon	1
16	395513	(000000-	) Fitting, Plstc, E90, Bm12/Pm12	1
17	396512	(000000-	) Hose, Pvc, Brd, 0.50id 0.73od	1

Fig. 16 - Right Hand Side Brush Power Tilt Group

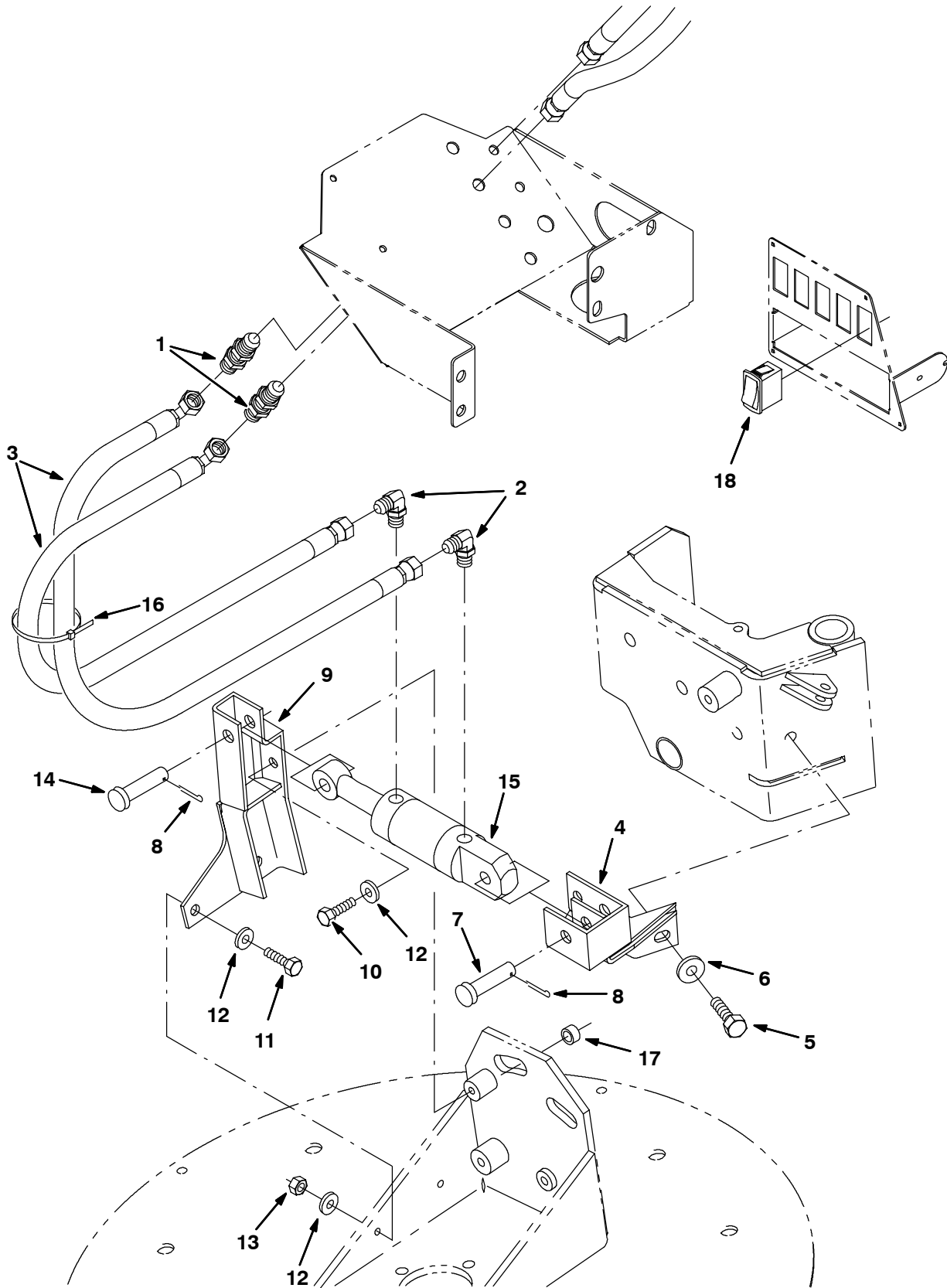


Fig. 16 - Right Hand Side Brush Power Tilt Group

Ref.	Tennant Part No.	Machine Serial Number	Description	Qty.
1	57977	(000000-	) Fitting, Hyd, Str, Jm04/Jm04 Bkhd	2
2	77097	(000000-	) Fitting, Hyd, E90, Jm04/Om04	2
3	59582	(000000-	) Hose, Hyd,Tc 04, Jf04str /Jf04e90 , 44.0	2
4	1005128	(000000-	) Mount Wldt, Cyl, Rh	1
5	41346	(000000-	) Screw, Hex, M12 X 1.75 X 30, 8.8	3
6	32493	(000000-	) Washer, Flat, 0.50 Std	3
7	396473	(000000-	) Pin, Clevis, 0.62 D X 3.00l	1
8	08182	(000000-	) Pin, Cotter, .125 X 1.00	2
9	1005062	(000000-	) Bracket Wldt, Mtg, Cyl, Rh	1
10	39283	(000000-	) Screw, Hex, M10 X 1.5 X 25, 8.8	1
11	39284	(000000-	) Screw, Hex, M10 X 1.5 X 35, 8.8	2
12	32492	(000000-	) Washer, Flat, 0.38 Std	5
13	41430	(000000-	) Nut, Hex, Lock, M10 X 1.5, NI	2
14	222210	(000000-	) Pin, Clevis, 0.62 D X 2.12l	1
15	395019	(000000-	) Cylinder, Hyd, 2.0b 08.5l 01.25strk,3000	1
16	763113	(000000-	) Tie, Cable, 20.0l, 6.00d Max	2
17	395509	(000000-	) Bushing, Sleeve, 0.51b 0.75d .42l	1
18	398508	(000000-	) Switch, Rocker, 36vdc 05a Dpdt Mo/Of/Mo	1

Fig. 17 - Left Hand Side Brush Power Tilt Group

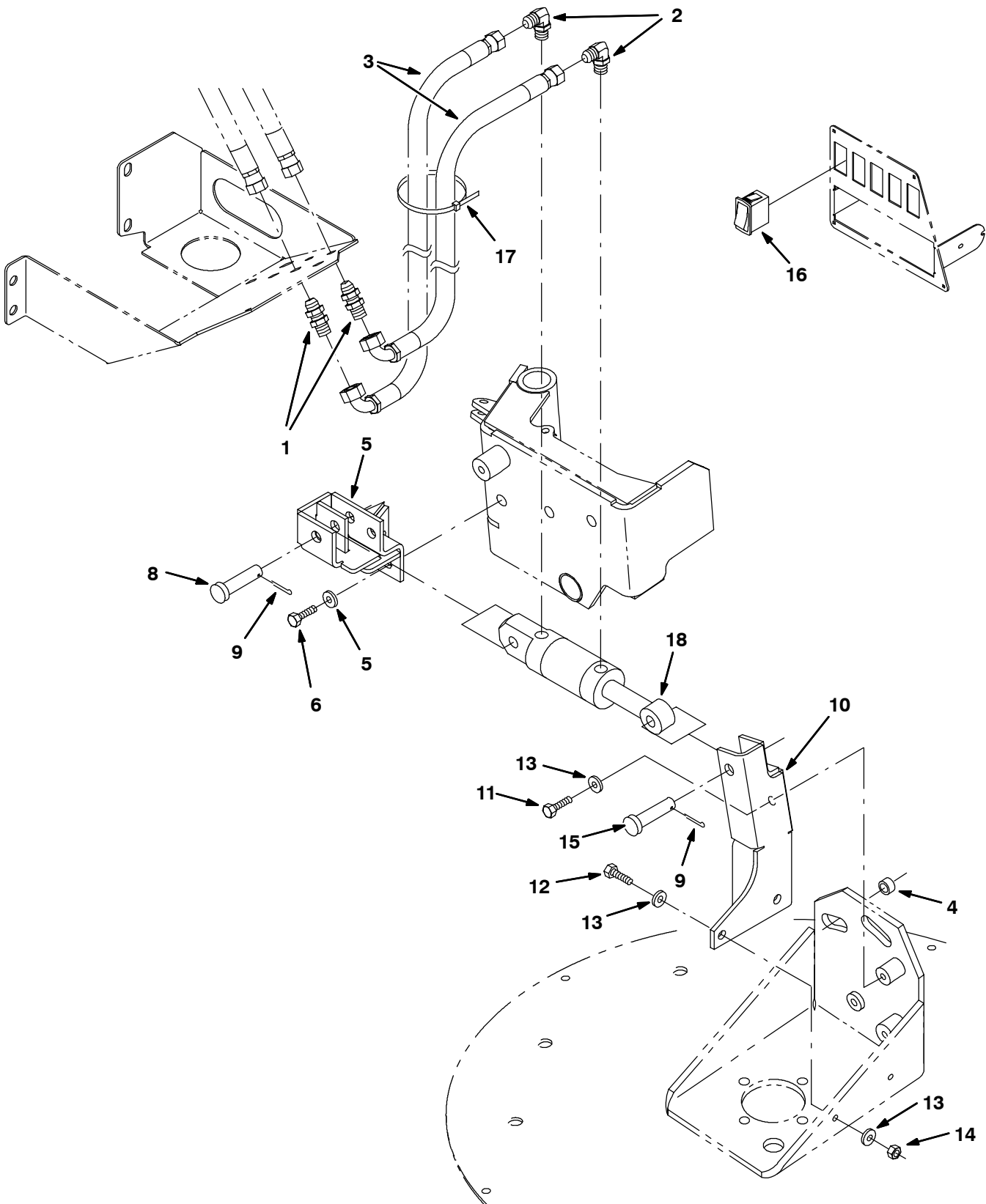


Fig. 17 - Left Hand Side Brush Power Tilt Group

Ref.	Tennant Part No.	Machine Serial Number	Description	Qty.
1	57977	(000000-	) Fitting, Hyd, Str, Jm04/Jm04 Bkhd	2
2	77097	(000000-	) Fitting, Hyd, E90, Jm04/Om04	2
3	59582	(000000-	) Hose, Hyd,Tc 04, Jf04str /Jf04e90 , 44.0	2
4	395509	(000000-	) Bushing, Sleeve, 0.51b 0.75d .42l	1
5	396604	(000000-	) Mount Wldt, Cyl, Lh	1
6	41345	(000000-	) Screw, Hex, M12 X 1.75 X 25, 8.8	3
7	32493	(000000-	) Washer, Flat, 0.50 Std	3
8	396473	(000000-	) Pin, Clevis, 0.62 D X 3.00l	1
9	08182	(000000-	) Pin, Cotter, .125 X 1.00	2
10	396605	(000000-	) Bracket Wldt, Mtg, Cyl, Lh	1
11	39283	(000000-	) Screw, Hex, M10 X 1.5 X 25, 8.8	1
12	39284	(000000-	) Screw, Hex, M10 X 1.5 X 35, 8.8	2
13	32492	(000000-	) Washer, Flat, 0.38 Std	5
14	41430	(000000-	) Nut, Hex, Lock, M10 X 1.5, NI	2
15	222210	(000000-	) Pin, Clevis, 0.62 D X 2.12l	1
16	398508	(000000-	) Switch, Rocker, 36vdc 05a Dpdt Mo/Of/Mo	2
17	763113	(000000-	) Tie, Cable, 20.0l, 6.00d Max	2
18	395019	(000000-	) Cylinder, Hyd, 2.0b 08.5l 01.25strk,3000	1

Fig. 18 - Side Brush Power Tilt Hydraulic Valve Group

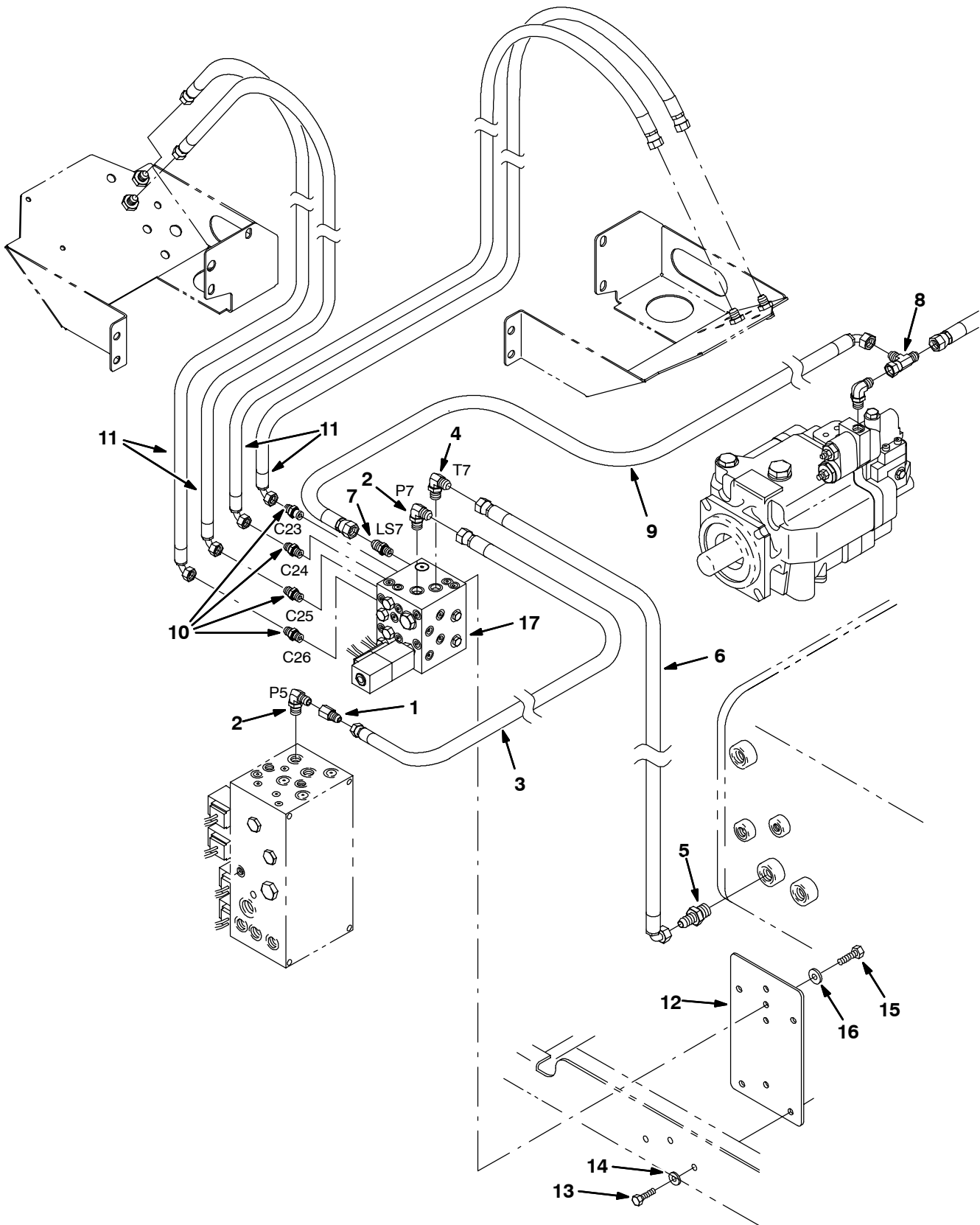


Fig. 18 - Side Brush Power Tilt Hydraulic Valve Group

Ref.	Tenant Part No.	Machine Serial Number	Description	Qty.
1	79447	(000000-	) Fitting, Hyd, Rst, Jm04/.036	1
2	47638	(000000-	) Fitting, Hyd, E90, Jm04/Om06	2
3	396690	(000000-	) Hose, Hyd,Tc 04, Jf04str /Jf04str ,158.0	1
4	56820	(000000-	) Fitting, Hyd, E90, Jm06/Om06	1
5	47508	(000000-	) Fitting, Hyd, Str, Jm06/Om10	1
6	01998	(000000-	) Hose, Hyd,Med06, Jf06str /Jf06e90 , 10.0	1
7	50960	(000000-	) Fitting, Hyd, Str, Jm06/Om04	1
8	42215	(000000-	) Fitting, Hyd, Tee, Jm06/Jm06/Jf06	1
9	396234	(000000-	) Hose, Hyd,Tc 06, Jf06str /Jf06e90 , 62.0	1
10	55586	(000000-	) Fitting, Hyd, Str, Jm04/Om04	4
11	71750	(000000-	) Hose, Hyd,Tc 04, Jf04str /Jf04e90 , 72.0	4
12	395619	(000000-	) Plate, Mtg, Valve	1
13	39277	(000000-	) Screw, Hex, M 8 X 1.25 X 25, 8.8	3
14	32491	(000000-	) Washer, Flat, 0.31 Std	3
15	06961	(000000-	) Screw, Hex, M10 X 1.5 X 20, 8.8	2
16	32492	(000000-	) Washer, Flat, 0.38 Std	2
17	394437	(000000-	) Valve, Hyd, Sol, 12vdc (See Breakdown)	1

Fig. 19 - Flashing Light Group

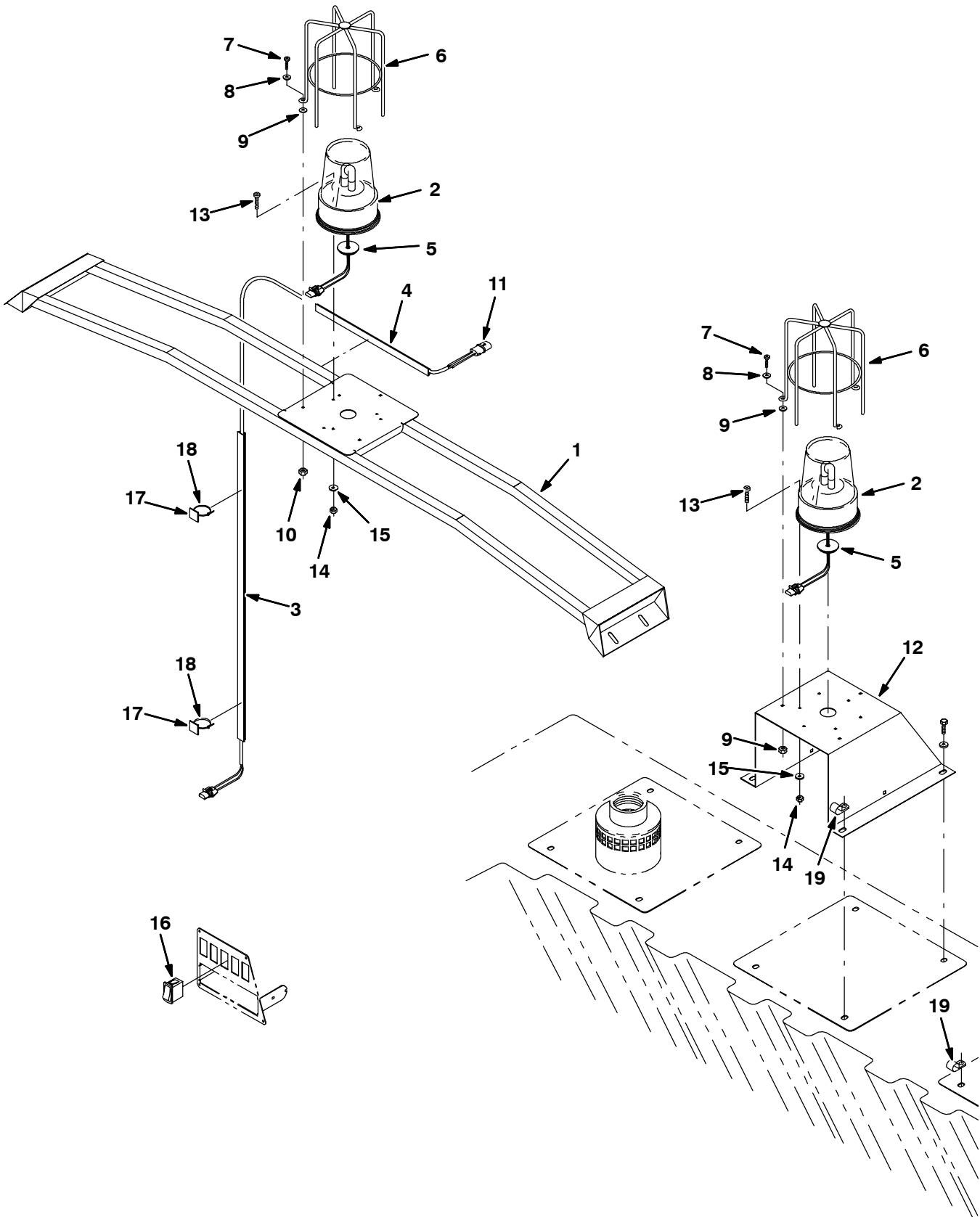




Fig. 19 - Flashing Light Kit

Ref.	Tennant Part No.	Machine Serial Number	Description	Qty.
▽	9000182	(000000-	) Kit, Ci, Light, Strobe	1
▲	1 395695	(000000-	) Bracket Wldt	1
▲▽	2 396456	(000000-	) Lamp Assy, Strobe, Amber	2
▲▲	396334	(000000-	) Lens, Amber, Light, F/395993	1
▲	395996	(000000-	) Lens, Red, Light	1
▲	395997	(000000-	) Lens, Blue, Light, F/395993	1
▲	3 396431	(000000-	) Duct, Vyl, 33.0l	1
▲	4 396430	(000000-	) Duct, Vyl, 14.0l	1
▲	5 61866	(000000-	) Grommet, Rbr, 0.38id, F/ 1.4h, .09matl	2
▲	6 768604	(000000-	) Guard, Rotating Lamp	2
▲	7 06943	(000000-	) Screw, Hex, M06 X 1.0 X 20, 8.8	6
▲	8 32490	(000000-	) Washer, Flat, .25 Std	6
▲	9 19066	(000000-	) Washer, Flt, #10	6
▲	10 08708	(000000-	) Nut, Hex, Lock, M06 X 1.0, NI	6
▲	11 394915	(000000-	) Harness, Revl Light, Cab, [Centurion]	1
▲	12 395582	(000000-	) Bracket, Mtg, Strobe, Rear	1
▲	13 24196	(000000-	) Screw, Pan, M05 X 0.8 X 20, Ss	6
▲	14 09739	(000000-	) Nut, Hex, Lock, M05 X 0.8, NI, Ss	6
▲	15 01684	(000000-	) Washer, Flat, .25 Ss	6
▲	16 394925	(000000-	) Switch, Rocker, Dpdt	1
▲	17 55248	(000000-	) Mount, Cable Tie	4
▲	18 44961	(000000-	) Tie, Cable, Nyl, 14.5l .30w 4.0 Max D	4
▲	19 40678	(000000-	) Clamp, Cable, Stl, 0.44d X 0.62w, 1h	3

Fig. 20 - Revolving Light Kit

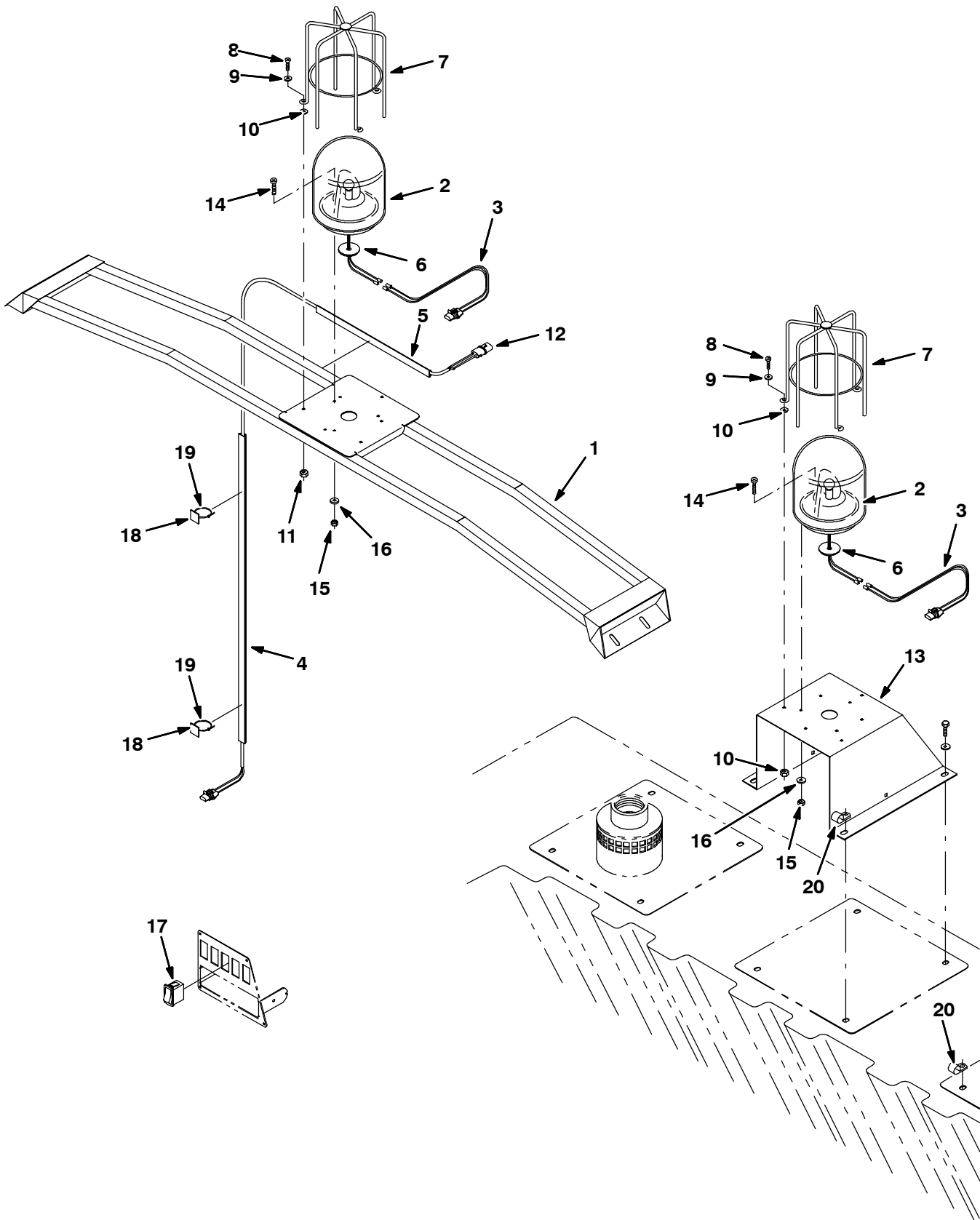
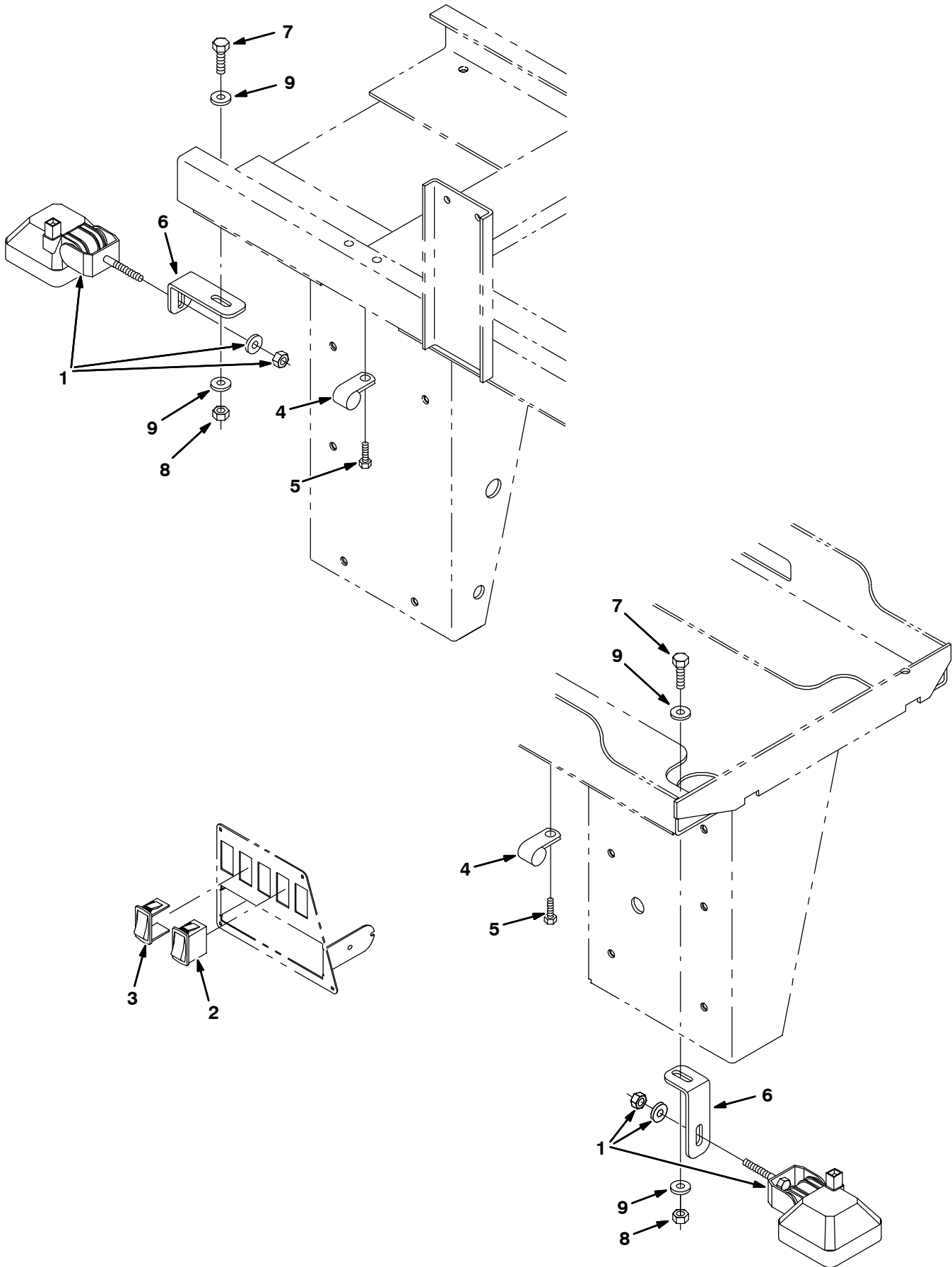


Fig. 20 - Revolving Light Kit

Ref.	Tennant Part No.	Machine Serial Number	Description	Qty.
▽	9000183	(000000-	) Kit, Ci, Light, Revl	1
▲	1 395695	(000000-	) Bracket Wldt, Mtg, Strobe	1
▲▽	2 768598	(000000-	) Lamp Assy, Rotating	2
▲▲	768605	(000000-	) Lamp, 12vdc, . A 55watt	1
▲	367958	(000000-	) Lens, Red, Light, Revl	1
▲	367957	(000000-	) Lens, Blue, Light, Revl	1
▲	367946	(000000-	) Lens, Amber, Light, Revl	1
▲	3 394932	(000000-	) Harness, Revl, Light, Jumper	2
▲	4 396431	(000000-	) Duct, Vyl, 33.0l	1
▲	5 396430	(000000-	) Duct, Vyl, 14.0l	1
▲	6 61866	(000000-	) Grommet, Rbr, 0.38id, F/ 1.4h, .09matl	1
▲	7 768604	(000000-	) Guard, Rotating Lamp	2
▲	8 06943	(000000-	) Screw, Hex, M06 X 1.0 X 20, 8.8	6
▲	9 32490	(000000-	) Washer, Flat, .25 Std	6
▲	10 19066	(000000-	) Washer, Flt, #10	6
▲	11 08708	(000000-	) Nut, Hex, Lock, M06 X 1.0, NI	6
▲	12 394915	(000000-	) Harness, Revl Light, Cab, [Centurion]	1
▲	13 395582	(000000-	) Bracket, Mtg, Strobe, Rear	1
▲	14 24196	(000000-	) Screw, Pan, M05 X 0.8 X 20, Ss	6
▲	15 09739	(000000-	) Nut, Hex, Lock, M05 X 0.8, NI, Ss	6
▲	16 01684	(000000-	) Washer, Flat, .25 Ss	6
▲	17 394925	(000000-	) Switch, Rocker, Dpdt	1
▲	18 55248	(000000-	) Mount, Cable Tie	4
▲	19 44961	(000000-	) Tie, Cable, Nyl, 14.5l .30w 4.0 Max D	4
▲	20 40678	(000000-	) Clamp, Cable, Stl, 0.44d X 0.62w, 1h	3

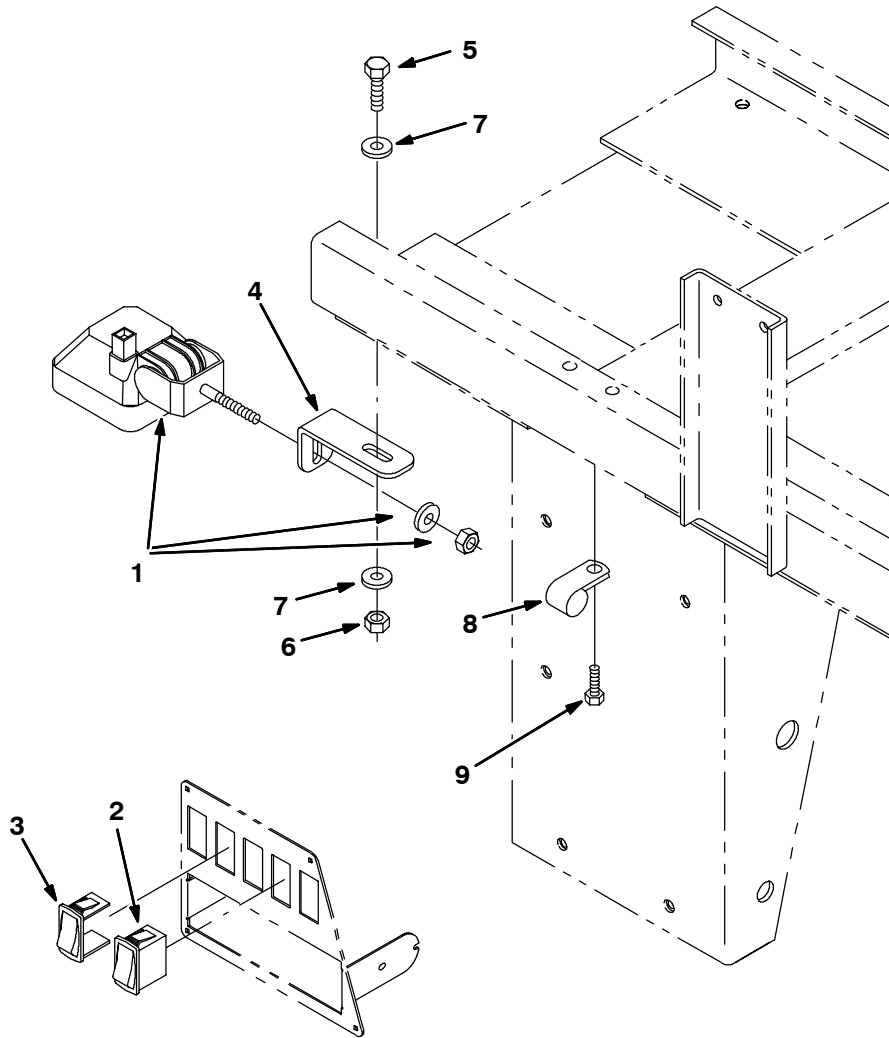
Fig. 21 - Work Light Kit



**Fig. 21 - Work Light Kit**

	<b>Ref.</b>	<b>Tenant Part No.</b>	<b>Machine Serial Number</b>	<b>Description</b>	<b>Qty.</b>
▽		9000181	(000000-	) Kit, Ci, Light, Work	1
▲	1	396463	(000000-	) Lamp, Flood, 12vdc, 55w	2
▲	2	394924	(000000-	) Switch, Rocker, Dpdt	1
▲	3	398501	(000000-	) Switch, Rocker, Hole Plug	1
▲	4	76736	(000000-	) Clamp, Cable, Stl, 0.38d X 0.62w, 1h	2
▲	5	74455	(000000-	) Screw, Hex, M 6 X 1.0 X 12, Fmg	2
▲	6	396240	(000000-	) Plate, Mtg, Light	2
▲	7	09011	(000000-	) Screw, Hex, M08 X 1.25 X 30, Ss	2
▲	8	08713	(000000-	) Nut, Hex, Lock, M08 X 1.25,NI, Ss	2
▲	9	01685	(000000-	) Washer, Flat, .31 Ss	4

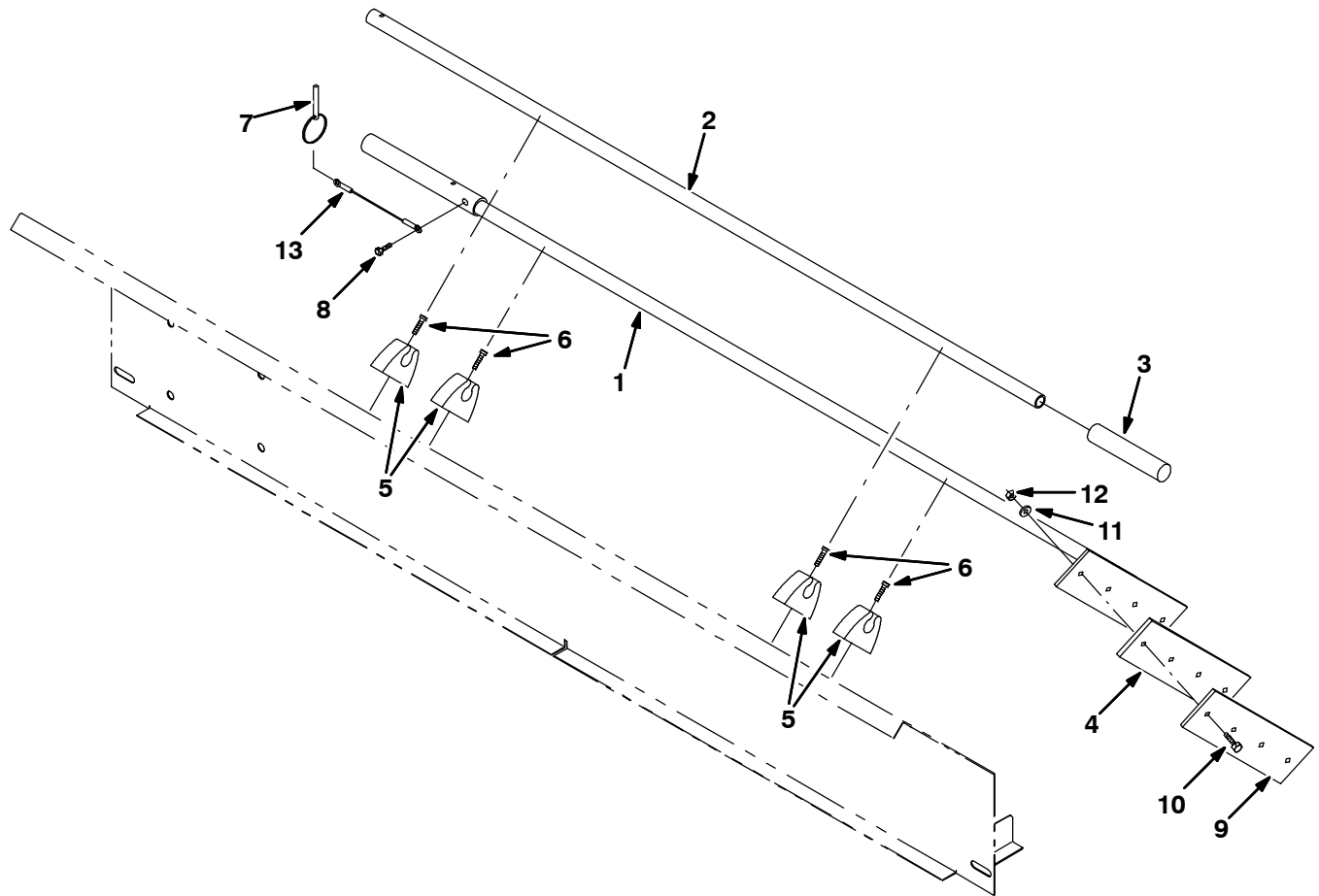
**Fig. 22 - Right Hand Work Light Kit**



353774

Ref.	Tennant Part No.	Machine Serial Number	Description	Qty.
▽	9000184	(000000-	) Kit, Ci, Light, Work, Rh	1
▲	1 396463	(000000-	) Lamp, Flood, 12vdc, 55w	1
▲	2 394924	(000000-	) Switch, Rocker, Dpdt	1
▲	3 398501	(000000-	) Plug, Hole, Rockerswitch	1
▲	4 396240	(000000-	) Plate, Mtg, Light	1
▲	5 09011	(000000-	) Screw, Hex, M08 X 1.25 X 30, Ss	1
▲	6 08713	(000000-	) Nut, Hex, Lock, M08 X 1.25,NI, Ss	1
▲	7 01685	(000000-	) Washer, Flat, .31 Ss	2
▲	8 76736	(000000-	) Clamp, Cable, Stl, 0.38d X 0.62w, 1h	2
▲	9 74455	(000000-	) Screw, Hex, M 6 X 1.0 X 12, Fmg	2

Fig. 23 - Hopper Cleanout Tool



353753

Ref.	Tennant Part No.	Machine Serial Number	Description	Qty.
1	396542	(000000- )	Handle Wldt, Cleanout Tool	1
2	396540	(000000- )	Handle, Tube	1
3	03292B	(000000- )	Grip, Handle, Round	1
4	79515	(000000- )	Blade, Squeege, Tool, Sludge Remove	1
5	760660	(000000- )	Clip	4
6	24265	(000000- )	Screw, Pan, M04 X 0.7 X 16, Ss	4
7	396606	(000000- )	Pin, Hitch	1
8	55845	(000000- )	Screw, Hex, M05 X 0.8 X 16, Fmg	1
9	79508-1	(000000- )	Strip, Stl, 0.11th X 02.50w, 10.00l	1
10	09007	(000000- )	Screw, Hex, M06 X 1.0 X 25, Ss	4
11	32490	(000000- )	Washer, Flat, .25 Std	4
12	08712	(000000- )	Nut, Hex, Lock, M06 X 1.0, NI, Ss	4
13	55038	(000000- )	Cable, .06d, 05.8l, .26eye /.26eye	1

Fig. 24 - Hydrant Conveyor Flush Kit

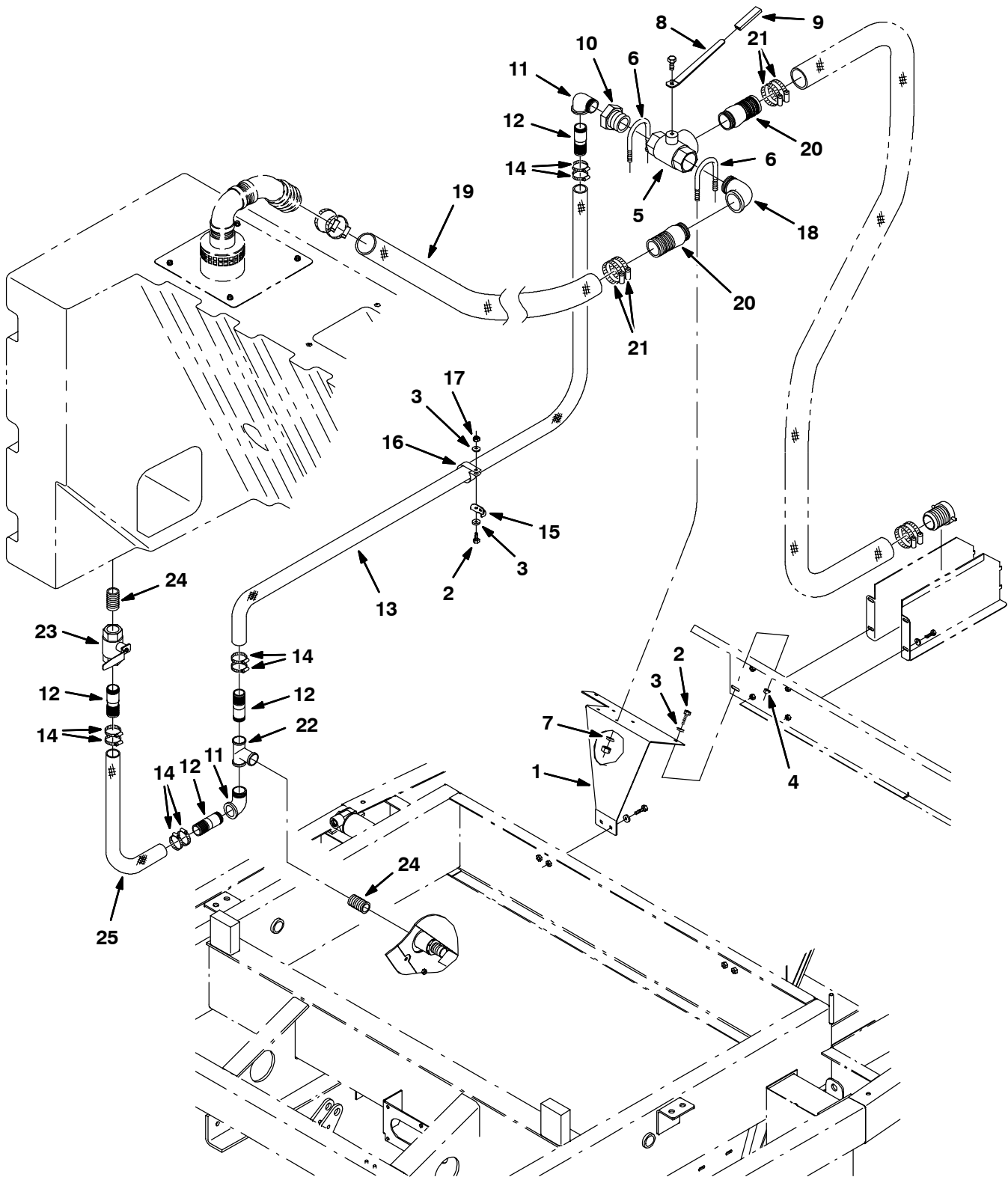
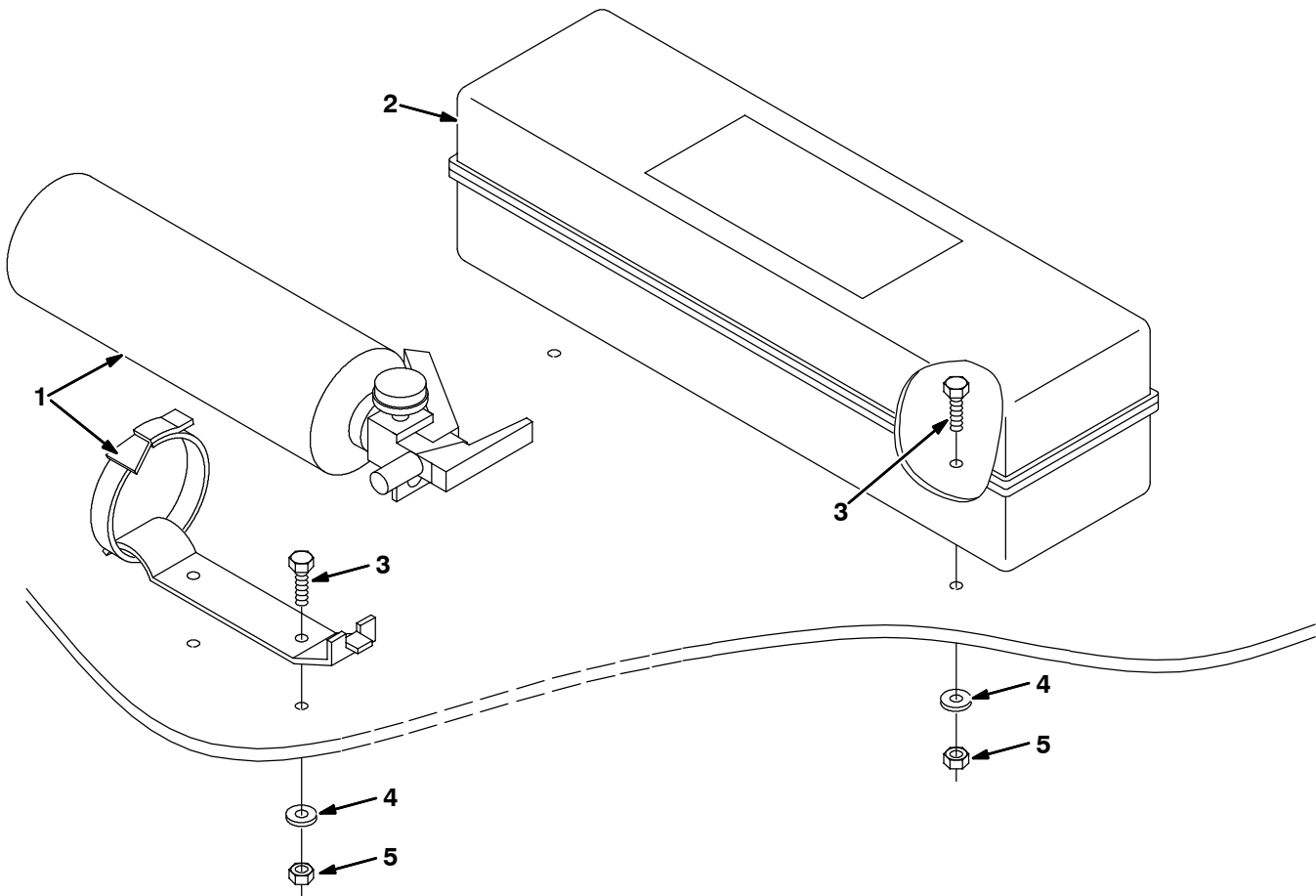




Fig. 24 - Hydrant Conveyor Flush Kit

Ref.	Tennant Part No.	Machine Serial Number	Description	Qty.
▽	9000113	(000000-	) Kit, Ci, Conveyor Flush, W/ Hydrant	1
▲	1 1009875	(000000-	) Bracket, Valve, Mount	1
▲	2 09291	(000000-	) Screw, Hex, M10 X 1.5 X 20, Ss	2
▲	3 86415	(000000-	) Washer, Flat, 0.38 Std, Unpl	3
▲	4 07792	(000000-	) Nut, Hex, Flng, M10 X 1.5	1
▲	5 1010067	(000000-	) Valve, Ball, 3-way	1
▲	6 1010073	(000000-	) Clamp, Mtg, U Bolt	2
▲	7 32491	(000000-	) Washer, Flat, 0.31 Std	4
▲	8 1009961	(000000-	) Handle, Valve	1
▲	9 360467	(000000-	) Grip, Vyl	1
▲	10 1010071	(000000-	) Bushing, Reducer, Thrd	1
▲	11 311921	(000000-	) Fitting, Pipe, E90, Pf24/Pm24	2
▲	12 1010070	(000000-	) Coupling, Nipple	4
▲	13 9000117	(000000-	) Hose, Water, 1.50d	1
▲	14 11531	(000000-	) Clamp, Hose, Wormdrive, 1.06-2.00d	8
▲	15 1009954	(000000-	) Bracket, Mount, Clamp	1
▲	16 73735	(000000-	) Clamp, Cable, Stl, 2.50d X 1.00w, 1h	1
▲	17 41430	(000000-	) Nut, Hex, Lock, M10 X 1.5, NI	1
▲	18 61630	(000000-	) Fitting, Pipe, E90, Pf32/Pf32 Z	1
▲	19 9000118	(000000-	) Hose, Water, 2.50d	1
▲	20 1010068	(000000-	) Coupling, Valve	2
▲	21 14432	(000000-	) Clamp, Hose, Wormdrive, 1.81-2.75d	4
▲	22 1010231	(000000-	) Fitting, Tee	1
▲	23 394991	(000000-	) Valve, Ball, 24pf W/Handle	1
▲	24 05947-2	(000000-	) Fitting, Pipe, Str, Pm24/Pm24 Close,Blk	2
▲	25 9000129	(000000-	) Hose, Water, 1.50d	1

**Fig. 25 - D.O.T. Safety Group**



353754

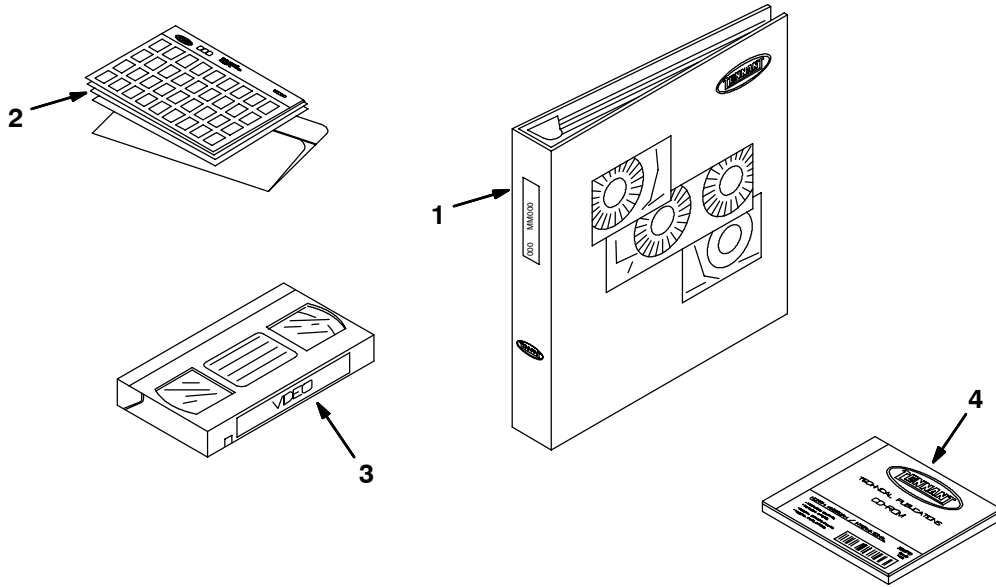
Ref.	Tenant Part No.	Machine Serial Number	Description	Qty.
1	25312	(000000- )	Extinguisher, Fire	1
2	396034	(000000- )	Reflector Pkg, Tri	1
3	06945	(000000- )	Screw, Hex, M06 X 1.0 X 30, 8.8	4
4	32490	(000000- )	Washer, Flat, .25 Std	4
5	08708	(000000- )	Nut, Hex, Lock, M06 X 1.0, NI	4

Fig. 26 - Centurion Truck Manuals



Ref.	Tennant Part No.	Machine Serial Number	Description	Qty.	
1	371678	(000000-	) Allison Transmission Mechanics Tips	1	
2	371679	(000000-	) Allison Transmission Operator's Manual	1	
3	371680	(000000-	) Caterpillar Truck Engines Opertrn/Maint Manual	1	
4	371681	(000000-	) 2001 T-Series GMC Truck Service Manual (2 volume set)	1	
4	371682	(000000-	) 2002 T-Series GMC Truck Service Manual (2 volume set)	1	
▽	5	371683	(000000-	) 2001 GMC F-Series Dom. Portfolio (7.2L) 3 manual package	1
▲	6	371684	(000000-	) 2001 GMC T Series Operation Manual	1
▲	7	371685	(000000-	) One Stop Service Dealer Directories	1

**Fig. 27 - Documentation Group**



07501

Ref.	Tennant Part No.	Machine Serial Number	Description	Qty.
1	330760	(000000- )	Manual Pkg, [Centurion Die Na]	1
2	330761	(000000- )	Manual, Fiche, [Centurion Die]	1
3	396062	(000000- )	Video, Oprtr [Centurion]	1
4	330710	(000000- )	Manual, Cd-Rom, Oprtr & Parts, All (Na)	1
4	330765	(000000- )	Manual, Cd-Rom, Service. [Centurion Dsl]	1

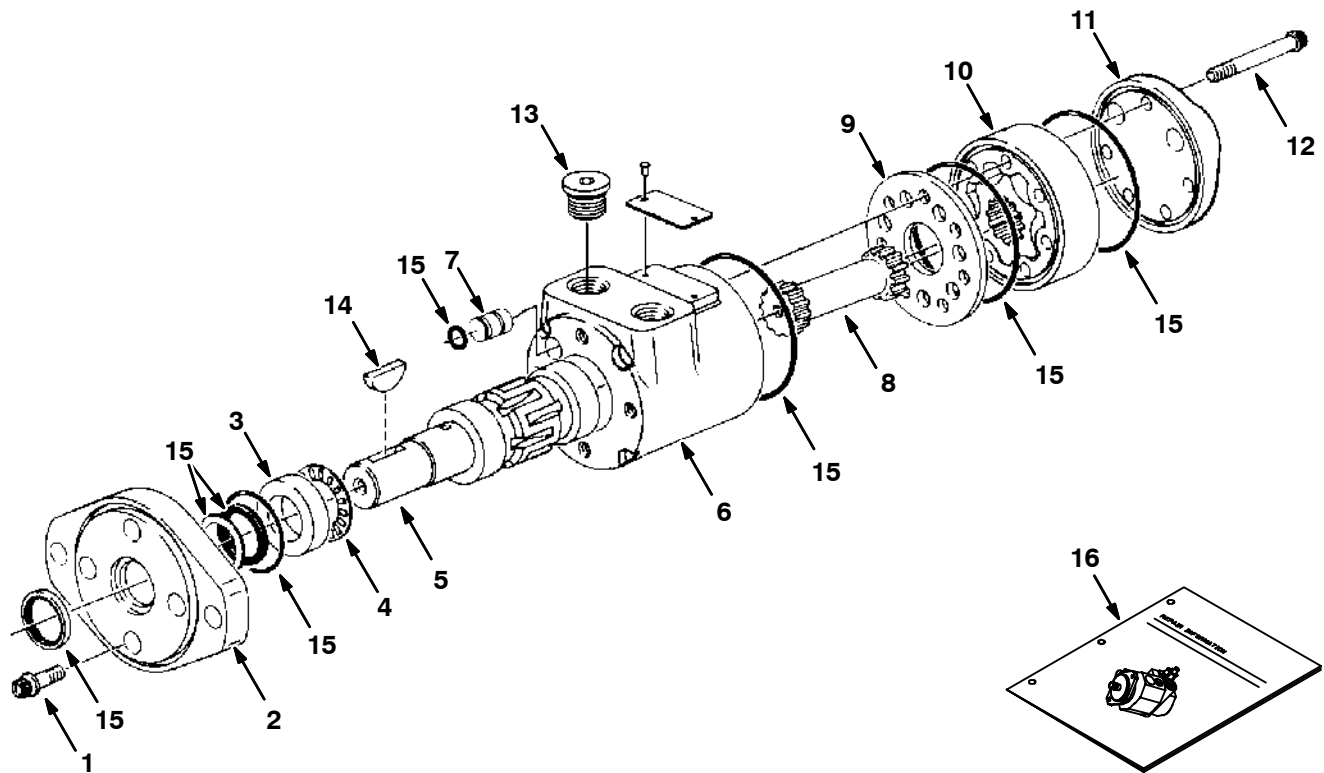
**SECTION 4**

<b>Contents</b>	<b>Page</b>
Fig. 1 - Hydraulic Motor Breakdown, 762035	4-2
Fig. 2 - Hydraulic Gear Pump Breakdown, 394433	4-3
Fig. 3 - Hydraulic Gear Pump Breakdown, 394434	4-4
Fig. 4 - Hydraulic Gear Pump Breakdown, 395612	4-5
Fig. 5 - Hydraulic Motor Breakdown, 394432	4-6
Fig. 6 - Hydraulic Valve Breakdown, 396403	4-8
Fig. 7 - Hydraulic Valve Breakdown, 394408	4-9
Fig. 8 - Hydraulic Solenoid Valve Breakdown, 396923	4-10
Fig. 9 - Hydraulic Solenoid Valve Breakdown, 396923	4-12
Fig. 10 - Hydraulic Solenoid Valve Breakdown, 396924	4-14
Fig. 11 - Hydraulic Solenoid Valve Breakdown, 396924	4-16
Fig. 12 - Hydraulic Solenoid Valve Breakdown, 396925	4-18
Fig. 13 - Hydraulic Solenoid Valve Breakdown, 396925	4-20
Fig. 14 - Hydraulic Solenoid Valve Breakdown, 396926	4-22

<b>Contents</b>	<b>Page</b>
Fig. 15 - Hydraulic Solenoid Valve Breakdown, 396926	4-24
Fig. 16 - Hydraulic Solenoid Valve Breakdown, 396927	4-26
Fig. 17 - Hydraulic Solenoid Valve Breakdown, 396927	4-28
Fig. 18 - Hydraulic Solenoid Valve Breakdown, 396928	4-30
Fig. 19 - Hydraulic Solenoid Valve Breakdown, 396928	4-32
Fig. 20 - Hydraulic Solenoid Valve Breakdown, 396929	4-34
Fig. 21 - Hydraulic Solenoid Valve Breakdown, 396929	4-36
Fig. 22 - Hydraulic Solenoid Valve Breakdown, 396930	4-38
Fig. 23 - Hydraulic Solenoid Valve Breakdown, 396930	4-40
Fig. 24 - Hydraulic Solenoid Valve Breakdown, 394436	4-42
Fig. 25 - Hydraulic Solenoid Valve Breakdown, 394436	4-44
Fig. 26 - Hydraulic Solenoid Valve Breakdown, 394437	4-46
Fig. 27 - Hydraulic Solenoid Valve Breakdown, 394423	4-48
Fig. 28 - PTO Breakdown, 394195 & 394196	4-50

**Fig. 29 -- Hydraulic Cooler Breakdown, 395421**

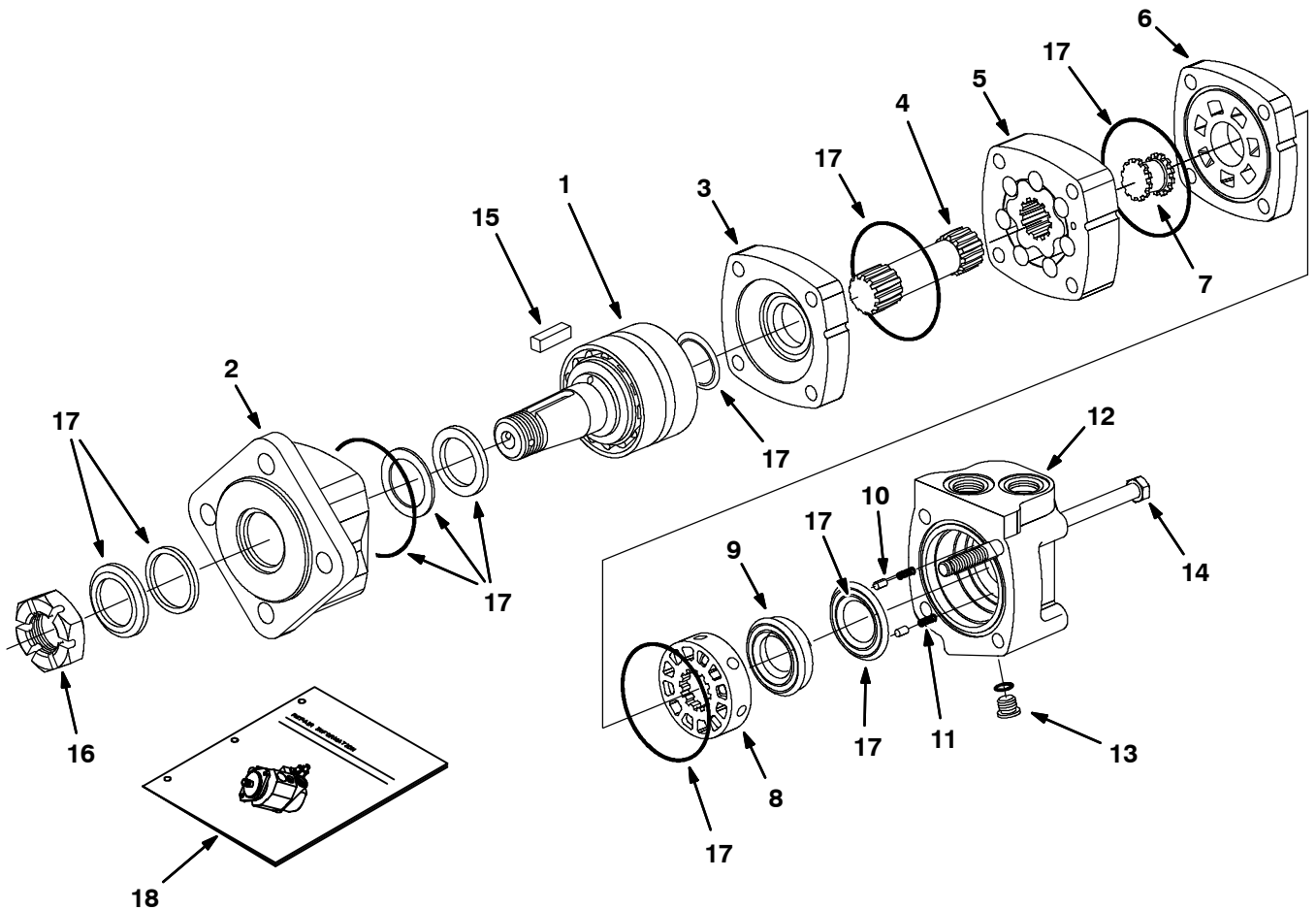
**Fig. 1 - Hydraulic Motor Breakdown, 762035**



10312-09670

Ref.	TENNANT Part No.	Manufacturer Serial Number	Description	Qty.
▽	762035	(000000-	) Motor, Hyd Shaker W/End Ports	1
▲	1 37555	(000000-	) Screw	4
▲	2 763504	(000000-	) Flg, Mtg 2-Bolt	1
▲	3 16695	(000000-	) Race Thrust	1
▲	4 45628	(000000-	) Thrust Bearing	1
▲	5 763508	(000000-	) Output Shaft	1
▲	6 74092	(000000-	) Housing	1
▲	7 74093	(000000-	) Plug, Housing	1
▲	8 34172	(000000-	) Drive	1
▲	9 74094	(000000-	) Spacer Plate	1
▲	10 763506	(000000-	) Gerotor Assy	1
▲	11 763509	(000000-	) End Cap	1
▲	12 74191	(000000-	) Screw, Cap	5
▲	13 74099	(000000-	) Plug #10	2
▲	14 00500-15	(000000-	) Key-Wdruff 0.25 1.00 Asa#0808	1
▲	15 28835	(000000-	) Seal Kit, Motor A/H-Stnd	1
	16 763507	(000000-	) Repair Info, Mtr	1

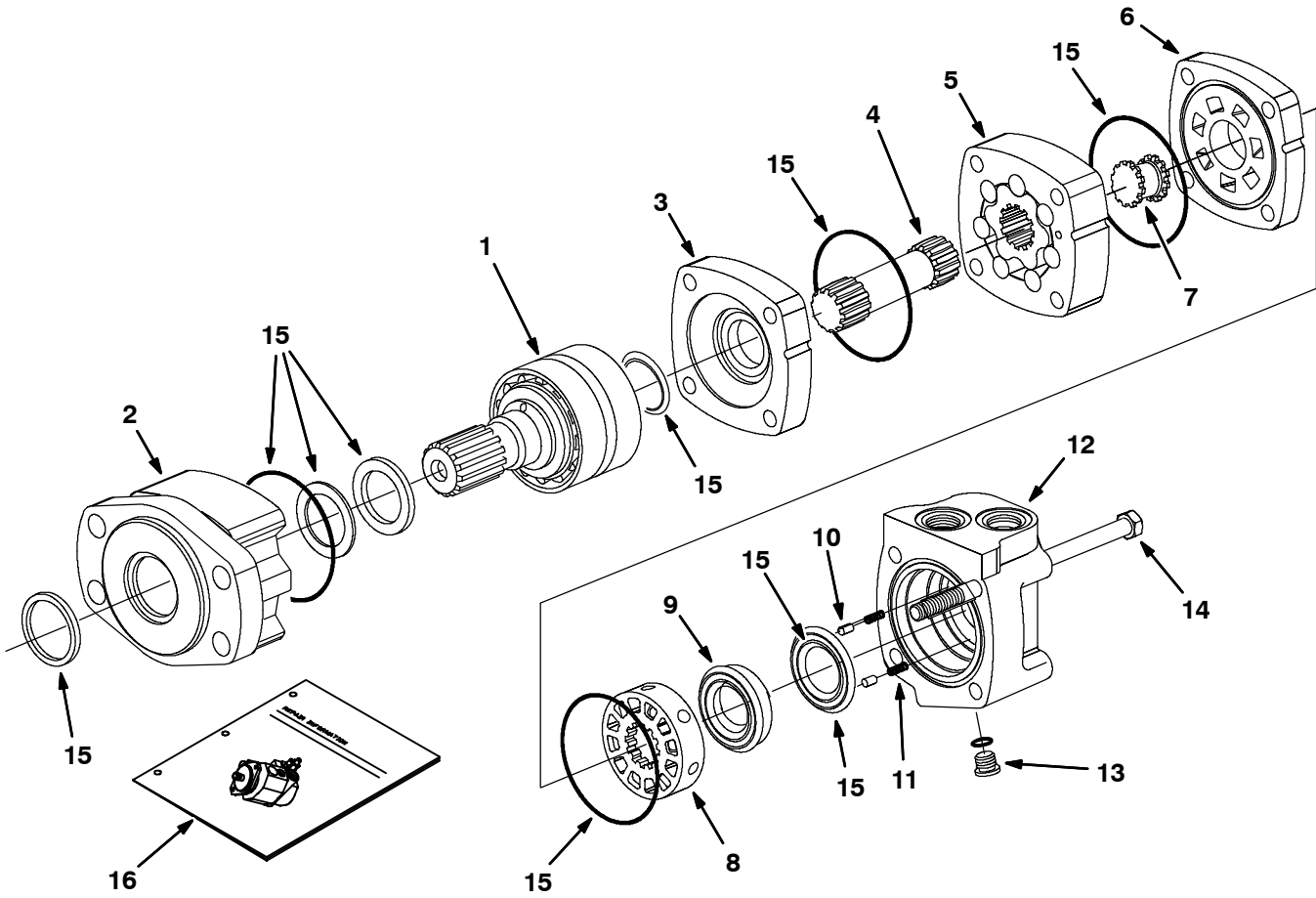
**Fig. 2 - Hydraulic Gear Pump Breakdown, 394433**



09670

Ref.	TENNANT Part No.	Manufacturer Serial Number	Description	Qty.	
▽	394433	(000000-	) Motor, Hyd, Gear, [In] 11.9 B 3000	1	
▲	1	21951	(000000-	) Kit, Repair, Bearing, [Char-Lynn]	1
▲	2	762083	(000000-	) Housing, Bearing	1
▲	3	51417	(000000-	) Plate, Pump, Gear	1
▲	4	373439	(000000-	) Drive, Main	1
▲	5	373440	(000000-	) Geroler	1
▲	6	02646	(000000-	) Plate, Valve, Pump, Gear [Char Lynn]	1
▲	7	57370	(000000-	) Valve, Drive, Pump, Hyd, Gear	1
▲	8	02647	(000000-	) Valve, Pump, Hyd, Gear [Char Lynn]	1
▲	9	57373	(000000-	) Ring, Balance, Pump, Hyd, Gear	1
▲	10	57374	(000000-	) Pin, Pump, Hyd, Gear	2
▲	11	57375	(000000-	) Spring, Pump, Hyd, Gear	1
▲	12	373441	(000000-	) Housing, Valve	1
▲	13	74098	(000000-	) Fitting, Plug, O-Ring, #4, Valve Cec	1
▲	14	373442	(000000-	) Screw, Cap	4
▲	15	38315	(000000-	) Key, Sq, Pump, Hyd	1
▲	16	38490	(000000-	) Nut, Slot, Pump, Hyd, Gear	1
▲	17	21953	(000000-	) Seal Kit, Pump	1
▲	18	79729	(000000-	) Repair Info, Mtr	1

**Fig. 3 - Hydraulic Gear Pump Breakdown, 394434**

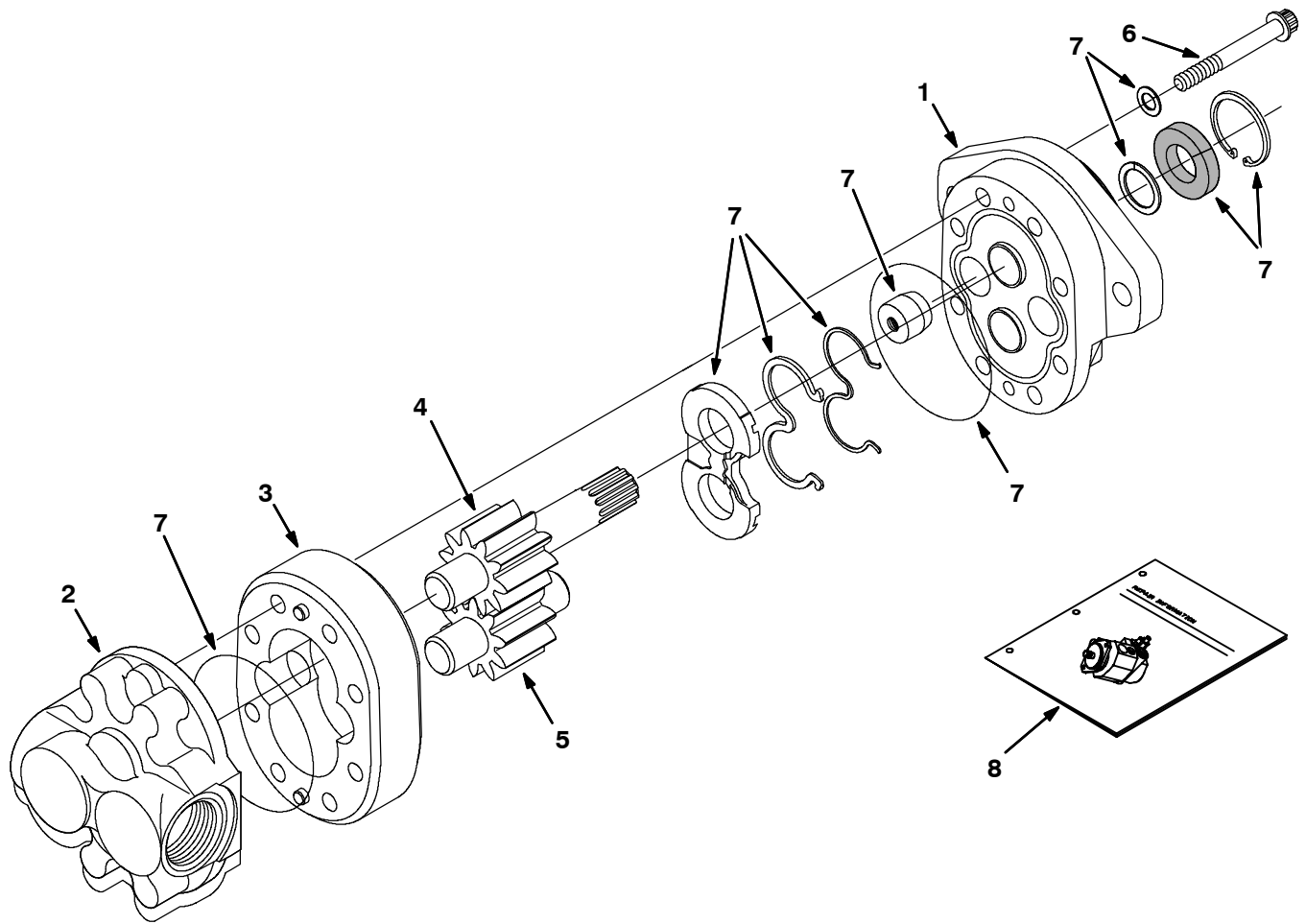


09670

Ref.	TENNANT Part No.	Manufacturer Serial Number	Description	Qty.	
▽	394434	(000000-	) Motor, Hyd, Gear, [In] 06.2 B 3000	1	
▲	1	373443	(000000-	) Kit, Shaft And Bearing	1
▲	2	373444	(000000-	) Housing, Brg	1
▲	3	51417	(000000-	) Plate, Pump, Gear	1
▲	4	03518	(000000-	) Kit, Replmt, Drive	1
▲	5	03519	(000000-	) Geroler	1
▲	6	02646	(000000-	) Plate, Valve, Pump, Gear [Char Lynn]	1
▲	7	57370	(000000-	) Valve, Drive, Pump, Hyd, Gear	1
▲	8	02647	(000000-	) Valve, Pump, Hyd, Gear [Char Lynn]	1
▲	9	57373	(000000-	) Ring, Balance, Pump, Hyd, Gear	1
▲	10	57374	(000000-	) Pin, Pump, Hyd, Gear	2
▲	11	57375	(000000-	) Spring, Pump, Hyd, Gear	2
▲	12	373441	(000000-	) Housing, Valve	1
▲	13	74098	(000000-	) Fitting, Plug, O-Ring, #4, Valve Cec	1
▲	14	373445	(000000-	) Screw, Cap	4
▲	15	02643	(000000-	) Seal Kit, Pump	1
▲	16	79729	(000000-	) Repair Info, Mtr	1



**Fig. 4 - Hydraulic Gear Pump Breakdown, 395612**



09670

Ref.	TENNANT Part No.	Manufacturer Serial Number	Description	Qty.
▽	395612	(000000-	) Pump, Hyd, Gear [Ex1] 1.87 [R] 2750	1
▲	1 373201	(000000-	) Plate, Front, Pump, Hyd	1
▲	2 373276	(000000-	) Plate, Back, Pump, Hyd	1
▲	3 373446	(000000-	) Body	1
▲	4 373447	(000000-	) Gear, Drive	1
▲	5 373448	(000000-	) Gear, Idler	1
▲	6 373449	(000000-	) Screw, Cap	8
▲	7 373208	(000000-	) Seal Kit, Pump	1
▲	8 373207	(000000-	) Repair Info, Mtr	1

**Fig. 5 - Hydraulic Motor Breakdown, 394432**

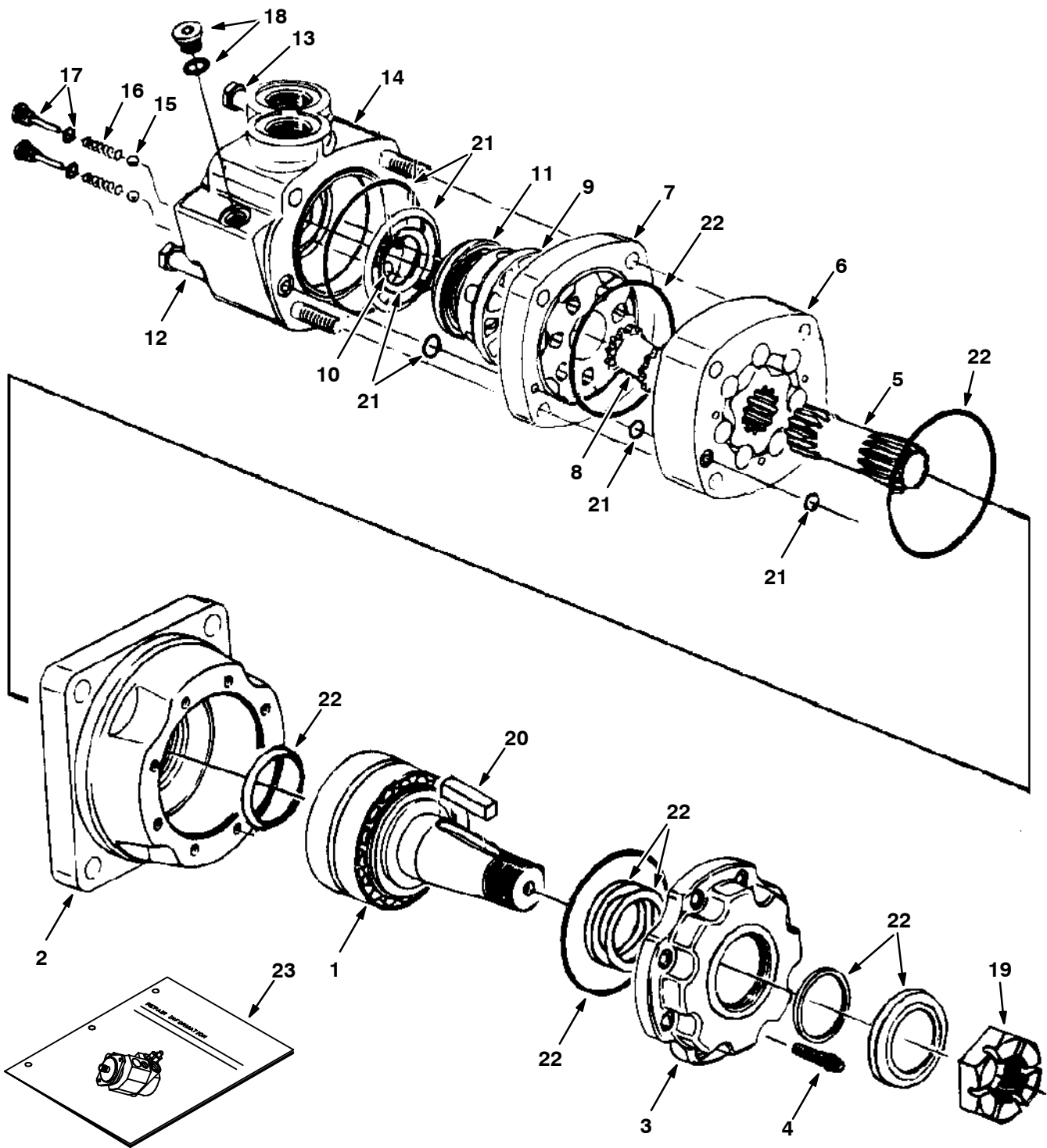
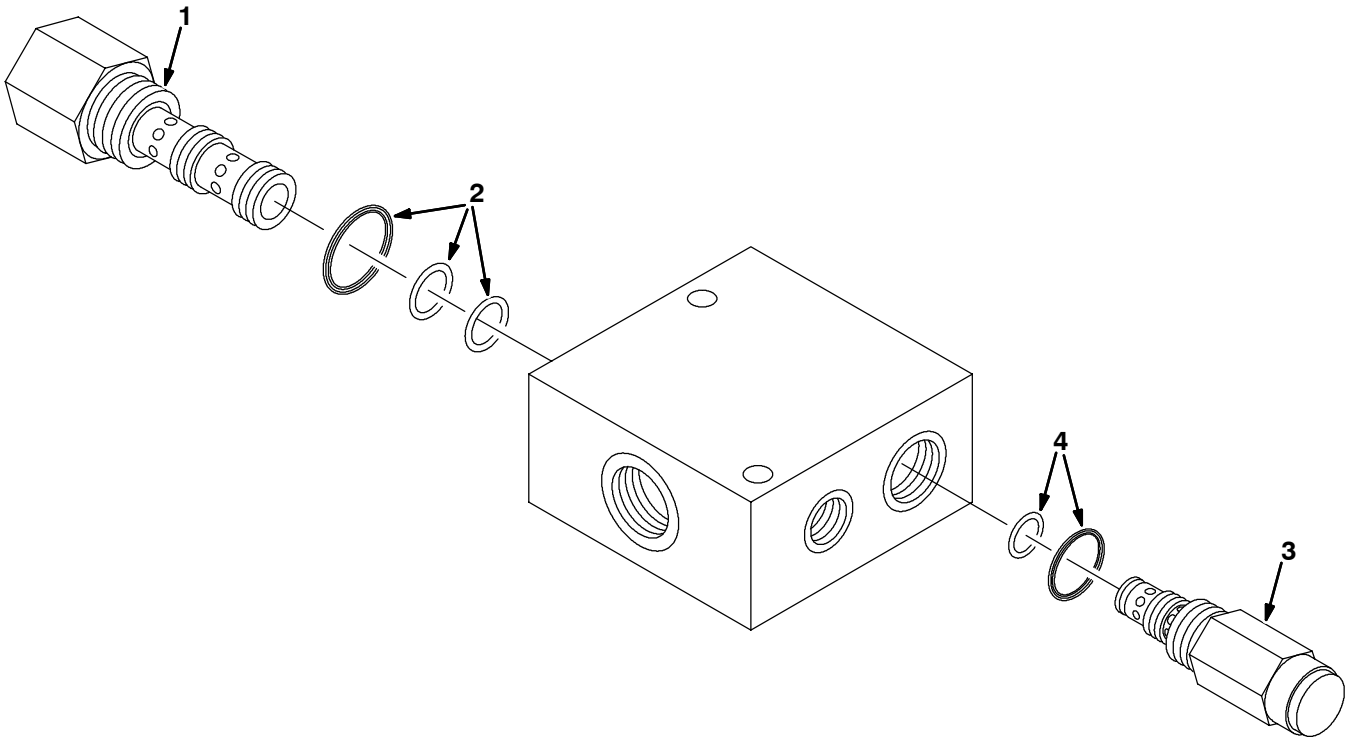


Fig. 5 - Hydraulic Motor Breakdown, 394432

Ref.	Tennant Part No.	Manufacturer Serial Number	Description	Qty.
▽	394432	(000000-	) Motor, Hyd Gear	1
▲	1 74165	(000000-	) Shaft S/A	1
▲	2 74166	(000000-	) Housing, Brg	1
▲	3 74167	(000000-	) Retainer, Frt	1
▲	4 74168	(000000-	) Screw, Cap	8
▲	5 373435	(000000-	) Drive	1
▲	6 373436	(000000-	) Geroler	1
▲	7 74122	(000000-	) Plate, Valve	1
▲	8 52405	(000000-	) Valve	1
▲	9 74123	(000000-	) Valve	1
▲	10 34178	(000000-	) Spring	2
▲	11 38968	(000000-	) Ring	1
▲	12 373437	(000000-	) Bolt	3
▲	13 373438	(000000-	) Bolt	1
▲	14 74171	(000000-	) Housing Assy,	1
▲	15 37766	(000000-	) Ball	2
▲	16 34179	(000000-	) Spring	2
▲	17 74137	(000000-	) Plug Assembly	2
▲	18 74098	(000000-	) Plug #4	1
▲	19 45622	(000000-	) Nut	1
▲	20 45623	(000000-	) Key	1
▲	21 33580	(000000-	) Seal Kit, Rear	1
▲	22 79828	(000000-	) Seal Kit, Shaft	1
▲	23 74249	(000000-	) Instr. Repair Info, Motor	1

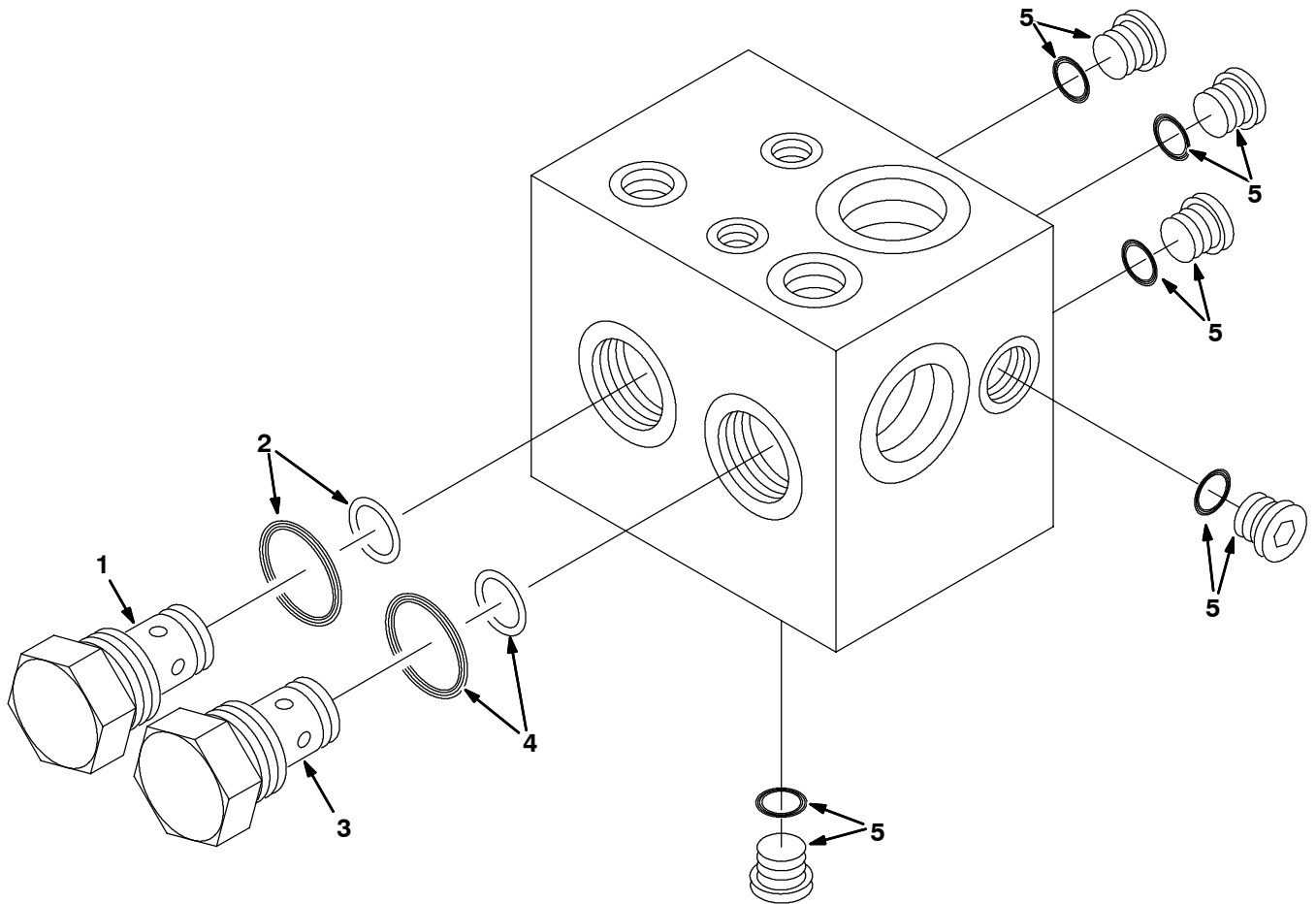
**Fig. 6 - Hydraulic Valve Breakdown, 396403**



353775

Ref.	TENNANT Part No.	Manufacturer Serial Number	Description	Qty.
▽	396403	(000000-	) Valve, Hyd, Brake, 30gpm 0500psi	1
▲▽	1 373462	(000000-	) Valve, Dir	1
▲▲	2 22674	(000000-	) Kit, Seal, Cartridge, Valve [Cec]	1
▲▽	3 373461	(000000-	) Valve, Relief	1
▲▲	4 79711	(000000-	) Kit, Seal, Valve, Hyd [Cec]	1

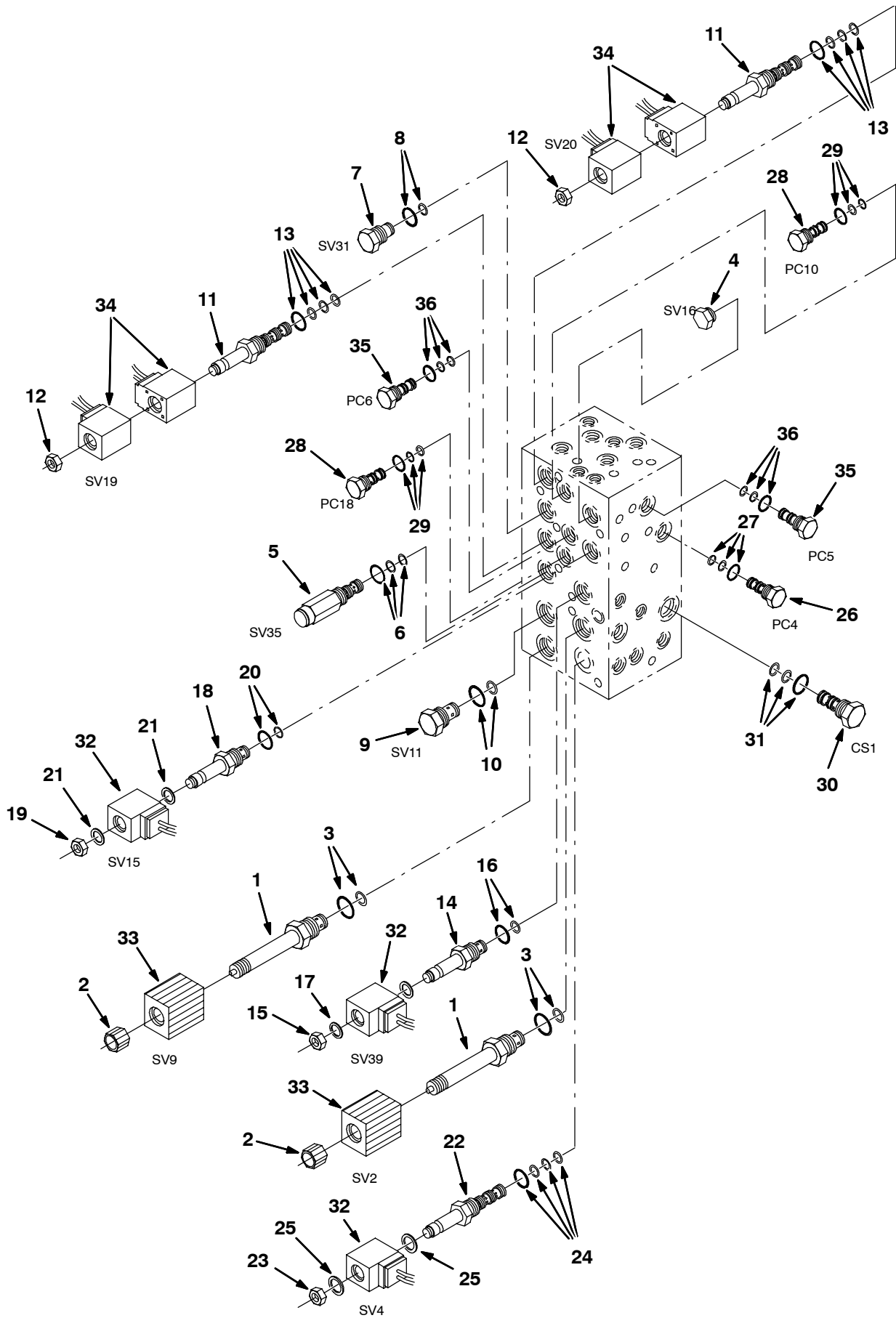
**Fig. 7 - Hydraulic Valve Breakdown, 394408**



353776

Ref.	TENNANT Part No.	Manufacturer Serial Number	Description	Qty.
▽	394408	(000000-	) Manifold, Hyd [Charge]	1
▲▽	1 373459	(000000-	) Valve, Check	1
▲▲	2 373463	(000000-	) Kit, Seal, Valve	1
▲▽	3 373460	(000000-	) Valve, Check	1
▲▲	4 373463	(000000-	) Kit, Seal, Valve	1
▲	5 79779	(000000-	) Plug, O-Ring En	5

**Fig. 8 - Hydraulic Solenoid Valve Breakdown, 396923**

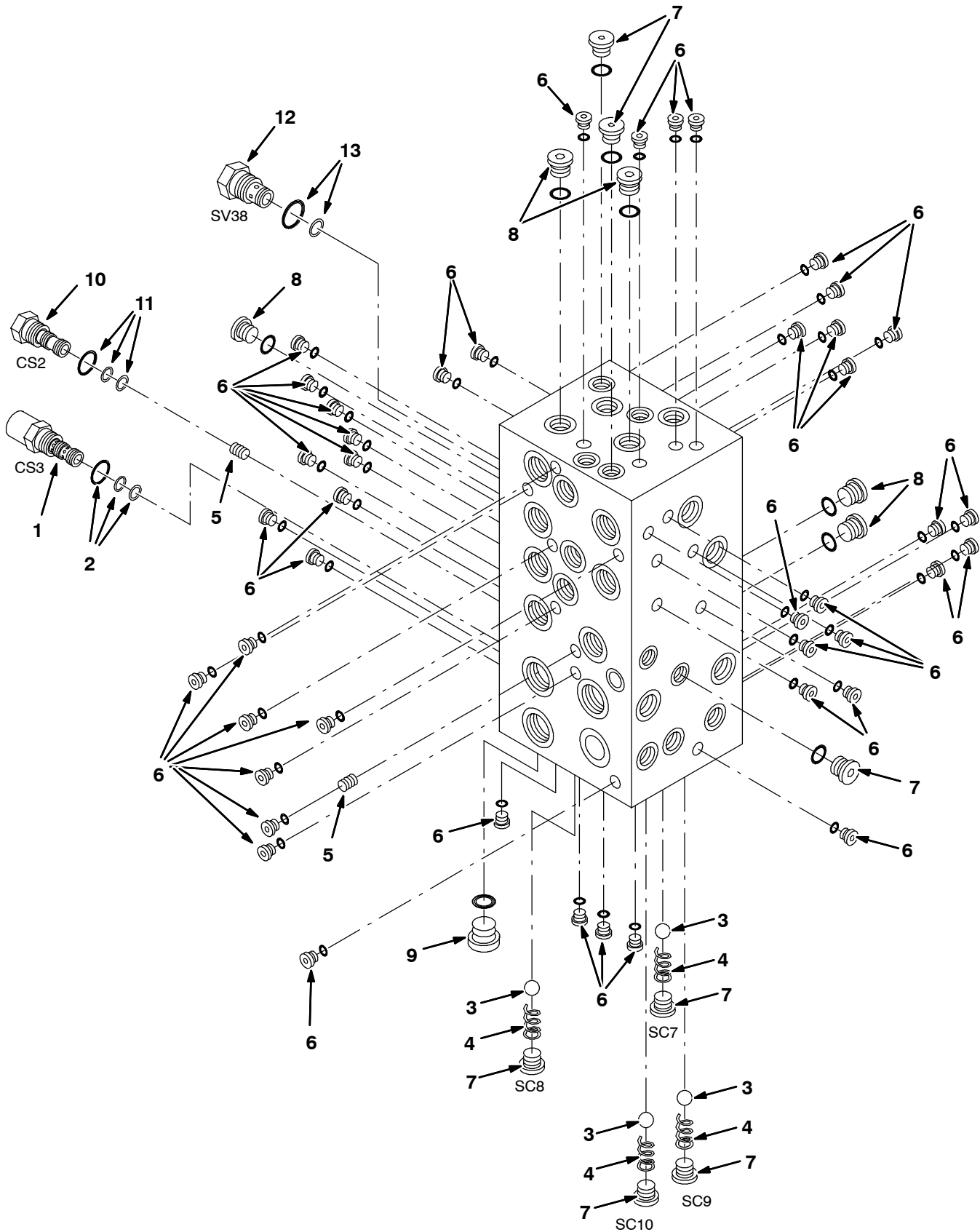


**Fig. 8 - Hydraulic Solenoid Valve Breakdown, 396923**

NOTE: Hydraulic Solenoid Valve Breakdown, Tennant Part Number 396923, includes; Fig. 8 and Fig. 9.

Ref.	Tennant Part No.	Manufacturer Serial Number	Description	Qty.
▽	396923	(000000-	) Valve, Hyd,Cntrl, Sol	1
▲▽	1 373472	(000000-	) Valve, Hyd, Flow Cntrl [Pwm]	2
▲▲	2 373595	(000000-	) Nut, Coil	1
▲▲	3 373594	(000000-	) Kit, Seal, Cartridge	1
▲	4 74099	(000000-	) Fitting, Plug, O-Ring, Motor, Hyd	1
▲▽	5 373473	(000000-	) Valve, Hyd, Cntrl, Press 300 Psi	1
▲▲	6 79711	(000000-	) Kit, Seal, Valve, Hyd [Cec]	1
▲▽	7 373489	(000000-	) Plug	1
▲▲	8 79711	(000000-	) Kit, Seal, Valve, Hyd [Cec]	1
▲▽	9 373490	(000000-	) Plug	1
▲▲	10 22699	(000000-	) Kit, Seal, Cartridge, Valve, Hyd	1
▲▽	11 373479	(000000-	) Valve, Hyd, Sol, 12vdc Dir [3p4w]	2
▲▲	12 373589	(000000-	) Nut	1
▲▲	13 373590	(000000-	) Kit, Seal, Cartridge	1
▲▽	14 21907	(000000-	) Stem, Valve, Hyd, N.c.	1
▲▲	15 79728	(000000-	) Nut, Cart, Valve, Hyd	1
▲▲	16 79711	(000000-	) Kit, Seal, Valve, Hyd [Cec]	1
▲▲	17 79740	(000000-	) Kit, Seal, Valve, Hyd [Cec]	1
▲▽	18 79717	(000000-	) Valve Stem, N.c.	1
▲▲	19 79728	(000000-	) Nut, Cart, Valve, Hyd	1
▲▲	20 79711	(000000-	) Kit, Seal, Valve, Hyd [Cec]	1
▲▲	21 79740	(000000-	) Kit, Seal, Valve, Hyd [Cec]	1
▲▽	22 373475	(000000-	) Valve, Stem	1
▲▲	23 79728	(000000-	) Nut, Cart, Valve, Hyd	1
▲▲	24 79711	(000000-	) Kit, Seal, Valve, Hyd [Cec]	1
▲▲	25 79740	(000000-	) Kit, Seal, Valve, Hyd [Cec]	1
▲▽	26 373553	(000000-	) Valve, Check	1
▲▲	27 48834	(000000-	) Kit, Seal, Valve, Hyd	1
▲▽	28 373470	(000000-	) Valve, Hyd, Check, Pilot	2
▲▲	29 373342	(000000-	) Kit, Seal, Cartridge	1
▲▽	30 373593	(000000-	) Control, Logic	1
▲▲	31 373594	(000000-	) Kit, Seal, Cartridge	1
▲	32 21916	(000000-	) Solenoid, 12vdc, Valve, Hyd	3
▲	33 373468	(000000-	) Solenoid, Hyd, 12 Vdc, 42 Watt	2
▲	34 373478	(000000-	) Solenoid, Hyd, 12 Vdc, 12 Watt	4
▲▽	35 373592	(000000-	) Plug	2
▲▲	36 48834	(000000-	) Kit, Seal, Valve, Hyd	1

**Fig. 9 - Hydraulic Solenoid Valve Breakdown, 396923**



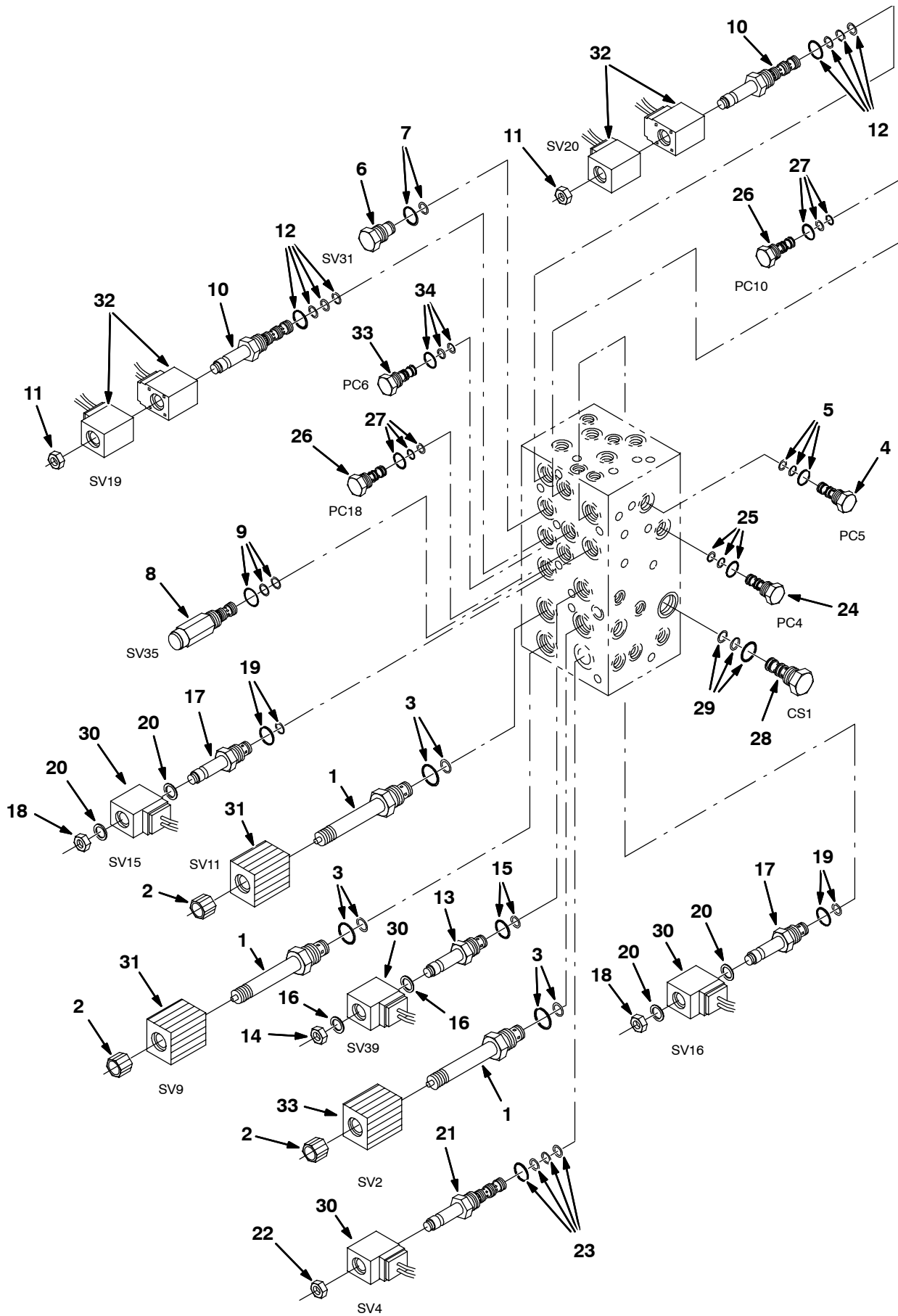


**Fig. 9 - Hydraulic Solenoid Valve Breakdown, 396923**

NOTE: Hydraulic Solenoid Valve Breakdown, Tennant Part Number 396923, includes; Fig. 8 and Fig. 9.

	Ref.	Tennant Part No.	Manufacturer Serial Number	Description	Qty.
▽		396923	(000000-	) Valve, Hyd,Cntrl, Sol	1
▲▽	1	396718	(000000-	) Valve, Hyd, Cntrl, Press [Comp]	1
▲▲	2	373590	(000000-	) Kit, Seal, Cartridge	1
▲	3	79727	(000000-	) Ball, Valve, Hyd	4
▲	4	79726	(000000-	) Spring, Valve, Hyd	4
▲	5	21920	(000000-	) Plug, Orifice	2
▲	6	13902	(000000-	) Fitting, Plug, O-Ring, #2, Valve	45
▲	7	74098	(000000-	) Fitting, Plug, O-Ring, #4	9
▲	8	13904	(000000-	) Fitting, Plug, O-Ring, #6, Valve	7
▲	9	13907	(000000-	) Fitting, Plug, O-Ring	1
▲▽	10	373591	(000000-	) Plug	1
▲▲	11	79711	(000000-	) Kit, Seal, Valve, Hyd [Cec]	1
▲▽	12	373488	(000000-	) Plug, Cavity	1
▲▲	13	79711	(000000-	) Kit, Seal, Valve, Hyd [Cec]	1

## Fig. 10 - Hydraulic Solenoid Valve Breakdown, 396924

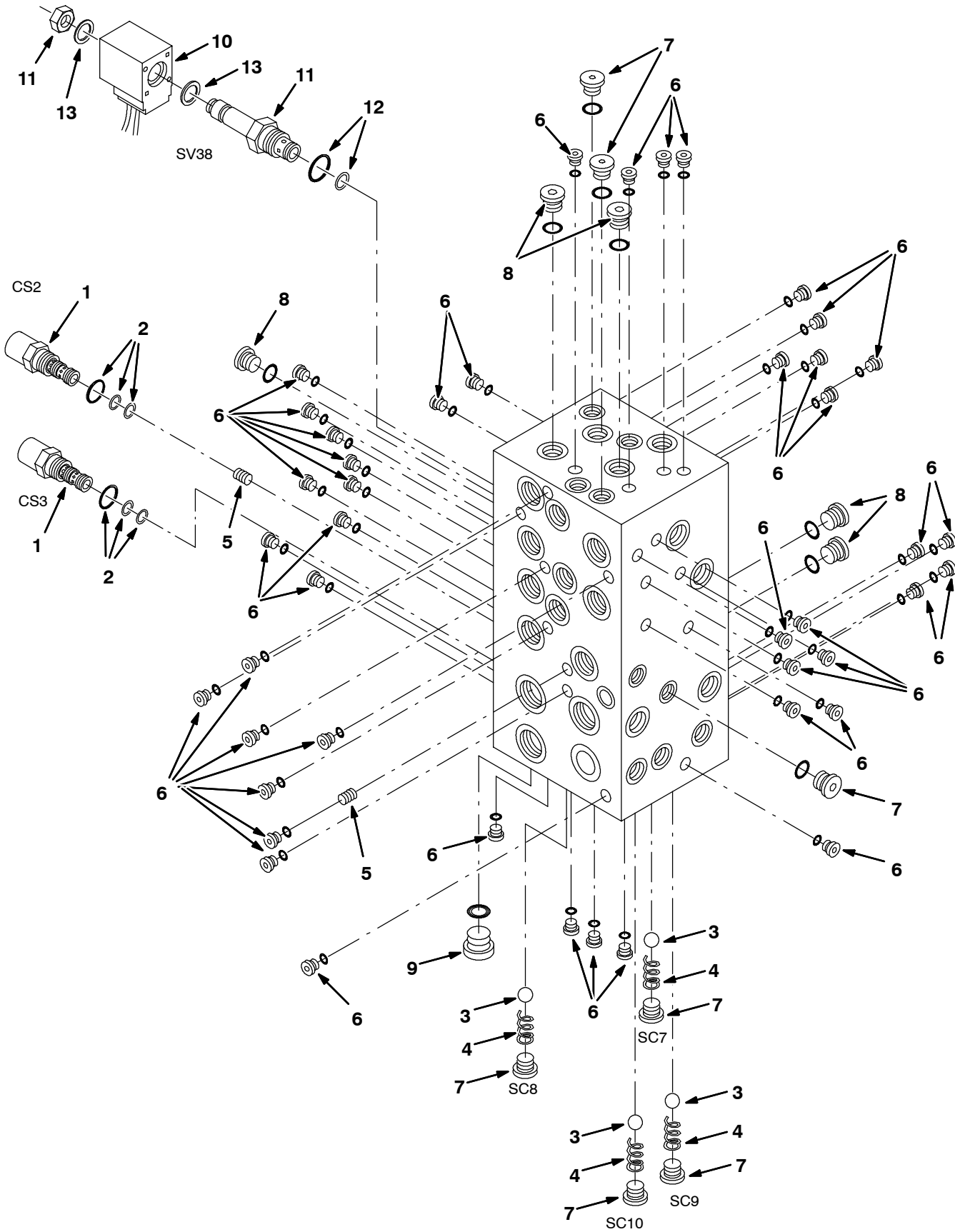


**Fig. 10 - Hydraulic Solenoid Valve Breakdown, 396924**

NOTE: Hydraulic Solenoid Valve Breakdown, Tennant Part Number 396924, includes; Fig. 10 and Fig. 11.

Ref.	Tennant Part No.	Manufacturer Serial Number	Description	Qty.
▽	396924	(000000-	) Valve, Hyd,Cntrl, Sol	1
▲▽	1 373472	(000000-	) Valve, Hyd, Flow Cntrl [Pwm]	3
▲▲	2 373595	(000000-	) Nut, Coil	1
▲▲	3 373594	(000000-	) Kit, Seal, Cartridge	1
▲▽	4 31476	(000000-	) Valve, Check, Valve, Hyd	1
▲▲	5 48834	(000000-	) Kit, Seal, Valve, Hyd	1
▲▽	6 373489	(000000-	) Plug	1
▲▲	7 79711	(000000-	) Kit, Seal, Valve, Hyd [Cec]	1
▲▽	8 373473	(000000-	) Valve, Hyd, Cntrl, Press 300 Psi	1
▲▲	9 79711	(000000-	) Kit, Seal, Valve, Hyd [Cec]	1
▲▽	10 373479	(000000-	) Valve, Hyd, Sol, 12vdc Dir [3p4w]	2
▲▲	11 373589	(000000-	) Nut	1
▲▲	12 373590	(000000-	) Kit, Seal, Cartridge	1
▲▽	13 21907	(000000-	) Stem, Valve, Hyd, N.c.	1
▲▲	14 79728	(000000-	) Nut, Cart, Valve, Hyd	1
▲▲	15 79711	(000000-	) Kit, Seal, Valve, Hyd [Cec]	1
▲▲	16 79740	(000000-	) Kit, Seal, Valve, Hyd [Cec]	1
▲▽	17 79717	(000000-	) Valve Stem, N.c.	2
▲▲	18 79728	(000000-	) Nut, Cart, Valve, Hyd	1
▲▲	19 79711	(000000-	) Kit, Seal, Valve, Hyd [Cec]	1
▲▲	20 79740	(000000-	) Kit, Seal, Valve, Hyd [Cec]	1
▲▽	21 373475	(000000-	) Valve, Stem	1
▲▲	22 79728	(000000-	) Nut, Cart, Valve, Hyd	1
▲▲	23 79711	(000000-	) Kit, Seal, Valve, Hyd [Cec]	1
▲▽	24 373553	(000000-	) Valve, Check	1
▲▲	25 48834	(000000-	) Kit, Seal, Valve, Hyd	1
▲▽	26 373470	(000000-	) Valve, Hyd, Check, Pilot	2
▲▲	27 373342	(000000-	) Kit, Seal, Cartridge	1
▲▽	28 373593	(000000-	) Control, Logic	1
▲▲	29 373594	(000000-	) Kit, Seal, Cartridge	1
▲	30 21916	(000000-	) Solenoid, 12vdc, Valve, Hyd	4
▲	31 373468	(000000-	) Solenoid, Hyd, 12 Vdc, 42 Watt	3
▲	32 373478	(000000-	) Solenoid, Hyd, 12 Vdc, 12 Watt	4
▲▽	33 373592	(000000-	) Plug	2
▲▲	34 48834	(000000-	) Kit, Seal, Valve, Hyd	1

Fig. 11 - Hydraulic Solenoid Valve Breakdown, 396924

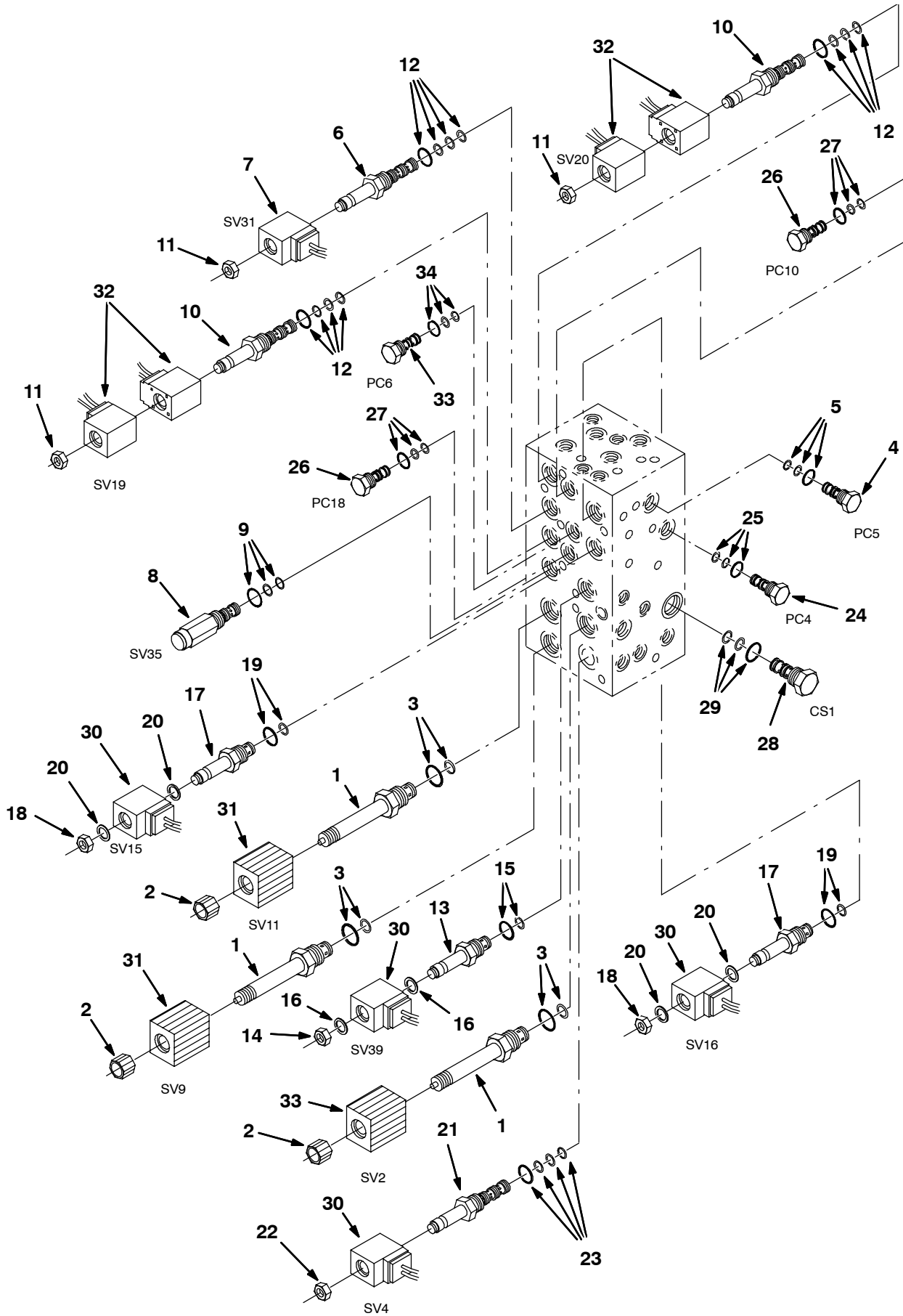


**Fig. 11 - Hydraulic Solenoid Valve Breakdown, 396924**

NOTE: Hydraulic Solenoid Valve Breakdown, Tennant Part Number 396924, includes; Fig. 10 and Fig. 11.

	<b>Ref.</b>	<b>Tennant Part No.</b>	<b>Manufacturer Serial Number</b>	<b>Description</b>	<b>Qty.</b>
▽		396924	(000000-	) Valve, Hyd,Cntrl, Sol	1
▲▽	1	396718	(000000-	) Valve, Hyd, Cntrl, Press [Comp]	2
▲▲	2	373590	(000000-	) Kit, Seal, Cartridge	1
▲	3	79727	(000000-	) Ball, Valve, Hyd	4
▲	4	79726	(000000-	) Spring, Valve, Hyd	4
▲	5	21920	(000000-	) Plug, Orifice	2
▲	6	13902	(000000-	) Fitting, Plug, O-Ring, #2, Valve	45
▲	7	74098	(000000-	) Fitting, Plug, O-Ring, #4	9
▲	8	13904	(000000-	) Fitting, Plug, O-Ring, #6, Valve	7
▲	9	13907	(000000-	) Fitting, Plug, O-Ring	1
▲▽	10	21907	(000000-	) Stem, Valve, Hyd, N.C.	1
▲▲	11	79728	(000000-	) Nut, Cart, Valve, Hyd	1
▲▲	12	79711	(000000-	) Kit, Seal, Valve, Hyd [Cec]	1
▲▲	13	79740	(000000-	) Kit, Seal, Valve, Hyd [Cec]	1
▲	14	21916	(000000-	) Solenoid, 12vdc, Valve, Hyd	4

**Fig. 12 - Hydraulic Solenoid Valve Breakdown, 396925**

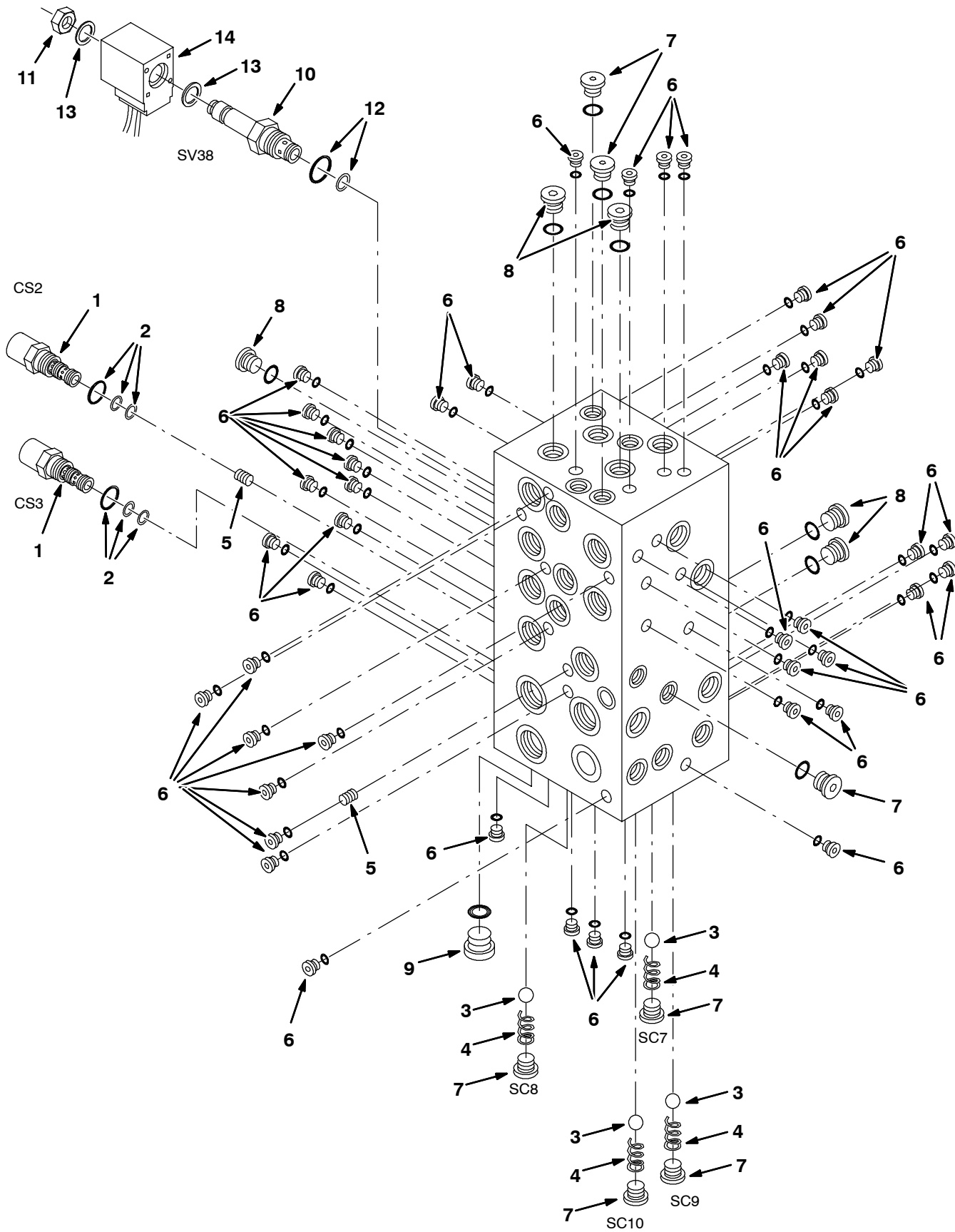


**Fig. 12 - Hydraulic Solenoid Valve Breakdown, 396925**

NOTE: Hydraulic Solenoid Valve Breakdown, Tennant Part Number 396925, includes; Fig. 12 and Fig. 13.

Ref.	Tennant Part No.	Manufacturer Serial Number	Description	Qty.
▽	396925	(000000-	) Valve, Hyd,Cntrl, Sol	1
▲▽	1 373472	(000000-	) Valve, Hyd, Flow Cntrl [Pwm]	3
▲▲	2 373595	(000000-	) Nut, Coil	1
▲▲	3 373594	(000000-	) Kit, Seal, Cartridge	1
▲▽	4 373479	(000000-	) Valve, Hyd, Sol, 12vdc Dir [3p4w]	3
▲▲	5 373589	(000000-	) Nut	1
▲▲	6 373590	(000000-	) Kit, Seal, Cartridge	1
▲	7 373478	(000000-	) Solenoid, Hyd, 12 Vdc, 12 Watt	5
▲▽	8 373473	(000000-	) Valve, Hyd, Cntrl, Press 300 Psi	1
▲▲	9 79711	(000000-	) Kit, Seal, Valve, Hyd [Cec]	1
▲▽	10 21907	(000000-	) Stem, Valve, Hyd, N.c.	1
▲▲	11 79728	(000000-	) Nut, Cart, Valve, Hyd	1
▲▲	12 79711	(000000-	) Kit, Seal, Valve, Hyd [Cec]	1
▲▲	13 79740	(000000-	) Kit, Seal, Valve, Hyd [Cec]	1
▲▽	14 79717	(000000-	) Valve Stem, N.c.	2
▲▲	15 79728	(000000-	) Nut, Cart, Valve, Hyd	1
▲▲	16 79711	(000000-	) Kit, Seal, Valve, Hyd [Cec]	1
▲▲	17 79740	(000000-	) Kit, Seal, Valve, Hyd [Cec]	1
▲▽	18 373475	(000000-	) Valve, Stem	1
▲▲	19 79728	(000000-	) Nut, Cart, Valve, Hyd	1
▲▲	20 79711	(000000-	) Kit, Seal, Valve, Hyd [Cec]	1
▲▽	21 373553	(000000-	) Valve, Check	1
▲▲	22 48834	(000000-	) Kit, Seal, Valve, Hyd	1
▲▽	23 373470	(000000-	) Valve, Hyd, Check, Pilot	2
▲▲	24 373342	(000000-	) Kit, Seal, Cartridge	1
▲▽	25 373593	(000000-	) Control, Logic	1
▲▲	26 373594	(000000-	) Kit, Seal, Cartridge	1
▲	27 21916	(000000-	) Solenoid, 12vdc, Valve, Hyd	4
▲	28 373468	(000000-	) Solenoid, Hyd, 12 Vdc, 42 Watt	3
▲▽	29 31476	(000000-	) Valve, Check, Valve, Hyd	2
▲▲	30 48834	(000000-	) Kit, Seal, Valve, Hyd	1

**Fig. 13 - Hydraulic Solenoid Valve Breakdown, 396925**



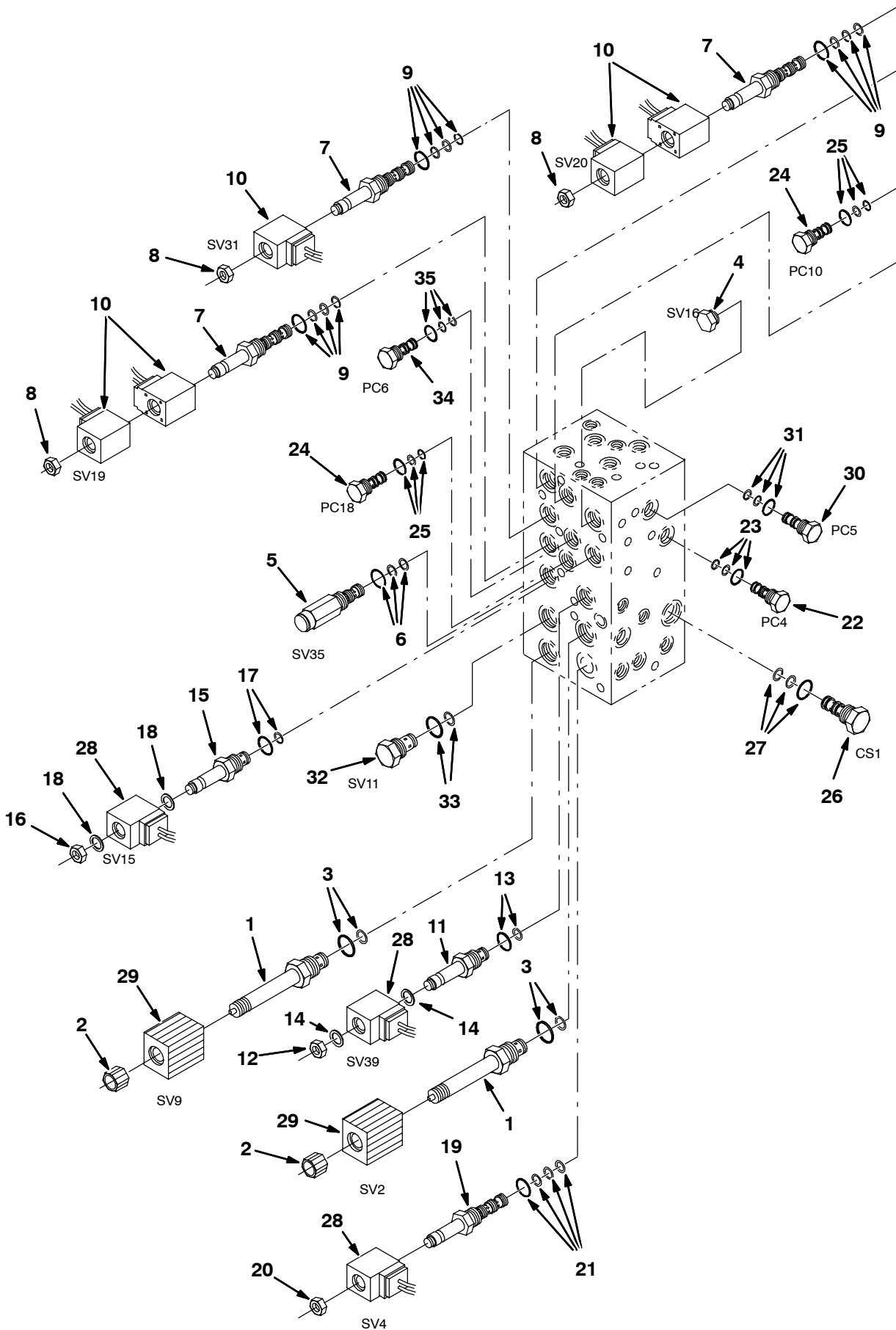


**Fig. 13 - Hydraulic Solenoid Valve Breakdown, 396925**

NOTE: Hydraulic Solenoid Valve Breakdown, Tennant Part Number 396925, includes; Fig. 12 and Fig. 13.

	Ref.	Tennant Part No.	Manufacturer Serial Number	Description	Qty.
▽		396925	(000000-	) Valve, Hyd,Cntrl, Sol	1
▲▽	1	396718	(000000-	) Valve, Hyd, Cntrl, Press [Comp]	2
▲▲	2	373590	(000000-	) Kit, Seal, Cartridge	1
▲	3	79727	(000000-	) Ball, Valve, Hyd	4
▲	4	79726	(000000-	) Spring, Valve, Hyd	4
▲	5	21920	(000000-	) Plug, Orifice	2
▲	6	13902	(000000-	) Fitting, Plug, O-Ring, #2, Valve	45
▲	7	74098	(000000-	) Fitting, Plug, O-Ring, #4	9
▲	8	13904	(000000-	) Fitting, Plug, O-Ring, #6, Valve	7
▲	9	13907	(000000-	) Fitting, Plug, O-Ring	1
▲▽	10	21907	(000000-	) Stem, Valve, Hyd, N.C.	1
▲▲	11	79728	(000000-	) Nut, Cart, Valve, Hyd	1
▲▲	12	79711	(000000-	) Kit, Seal, Valve, Hyd [Cec]	1
▲▲	13	79740	(000000-	) Kit, Seal, Valve, Hyd [Cec]	1
▲	14	21916	(000000-	) Solenoid, 12vdc, Valve, Hyd	1

**Fig. 14 - Hydraulic Solenoid Valve Breakdown, 396926**

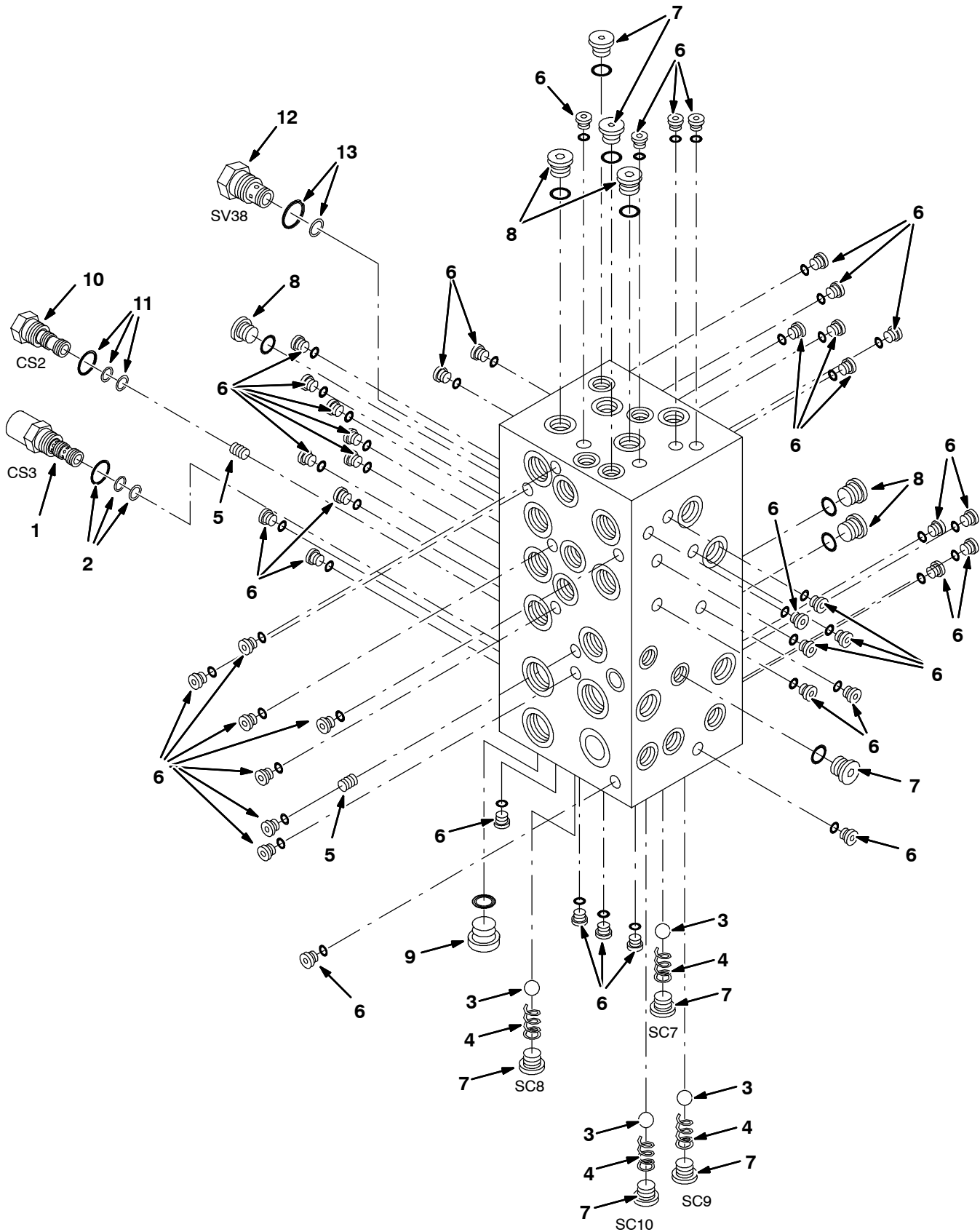


**Fig. 14 - Hydraulic Solenoid Valve Breakdown, 396926**

NOTE: Hydraulic Solenoid Valve Breakdown, Tennant Part Number 396926, includes; Fig. 14 and Fig. 15.

Ref.	Tennant Part No.	Manufacturer Serial Number	Description	Qty.
▽	396926	(000000-	) Valve, Hyd,Cntrl, Sol	1
▲▽	1 373472	(000000-	) Valve, Hyd, Flow Cntrl [Pwm]	2
▲▲	2 373595	(000000-	) Nut, Coil	1
▲▲	3 373594	(000000-	) Kit, Seal, Cartridge	1
▲	4 74099	(000000-	) Fitting, Plug, O-Ring, Motor, Hyd	1
▲▽	5 373473	(000000-	) Valve, Hyd, Cntrl, Press 300 Psi	1
▲▲	6 79711	(000000-	) Kit, Seal, Valve, Hyd [Cec]	1
▲▽	7 373479	(000000-	) Valve, Hyd, Sol, 12vdc Dir [3p4w]	3
▲▲	8 373589	(000000-	) Nut	1
▲▲	9 373590	(000000-	) Kit, Seal, Cartridge	1
▲	10 373478	(000000-	) Solenoid, Hyd, 12 Vdc, 12 Watt	5
▲▽	11 21907	(000000-	) Stem, Valve, Hyd, N.c.	1
▲▲	12 79728	(000000-	) Nut, Cart, Valve, Hyd	1
▲▲	13 79711	(000000-	) Kit, Seal, Valve, Hyd [Cec]	1
▲▲	14 79740	(000000-	) Kit, Seal, Valve, Hyd [Cec]	1
▲▽	15 79717	(000000-	) Valve Stem, N.c.	1
▲▲	16 79728	(000000-	) Nut, Cart, Valve, Hyd	1
▲▲	17 79711	(000000-	) Kit, Seal, Valve, Hyd [Cec]	1
▲▲	18 79740	(000000-	) Kit, Seal, Valve, Hyd [Cec]	1
▲▽	19 373475	(000000-	) Valve, Stem	1
▲▲	20 79728	(000000-	) Nut, Cart, Valve, Hyd	1
▲▲	21 79711	(000000-	) Kit, Seal, Valve, Hyd [Cec]	1
▲▽	22 373553	(000000-	) Valve, Check	1
▲▲	23 48834	(000000-	) Kit, Seal, Valve, Hyd	1
▲▽	24 373470	(000000-	) Valve, Hyd, Check, Pilot	2
▲▲	25 373342	(000000-	) Kit, Seal, Cartridge	1
▲▽	26 373593	(000000-	) Control, Logic	1
▲▲	27 373594	(000000-	) Kit, Seal, Cartridge	1
▲	28 21916	(000000-	) Solenoid, 12vdc, Valve, Hyd	3
▲	29 373468	(000000-	) Solenoid, Hyd, 12 Vdc, 42 Watt	2
▲▽	30 373592	(000000-	) Plug	1
▲▲	31 48834	(000000-	) Kit, Seal, Valve, Hyd	1
▲▽	32 373490	(000000-	) Plug	1
▲▲	33 22699	(000000-	) Kit, Seal, Cartridge, Valve, Hyd	1
▲▽	34 31476	(000000-	) Valve, Check, Valve, Hyd	1
▲▲	35 48834	(000000-	) Kit, Seal, Valve, Hyd	1

Fig. 15 - Hydraulic Solenoid Valve Breakdown, 396926

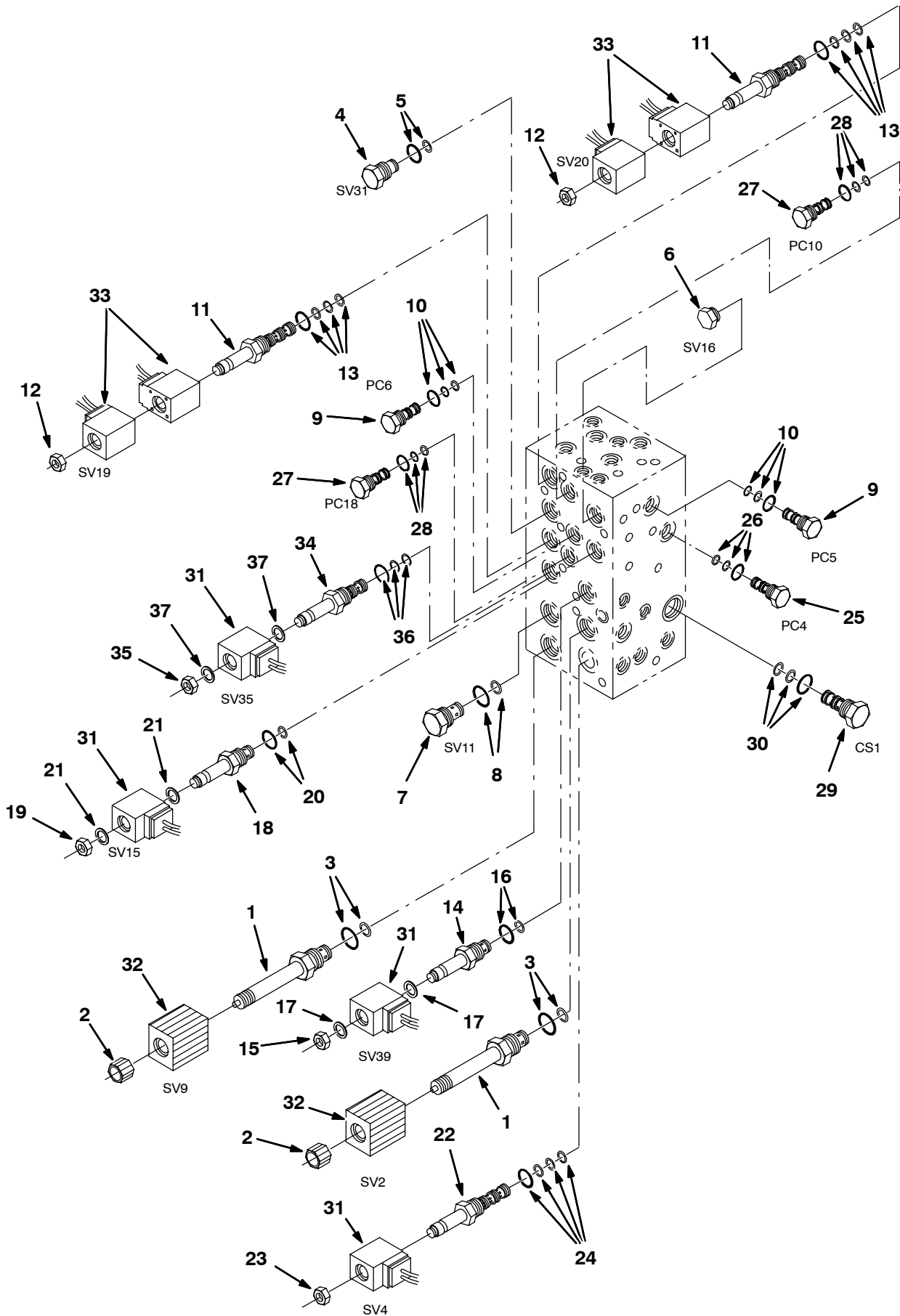


**Fig. 15 - Hydraulic Solenoid Valve Breakdown, 396926**

NOTE: Hydraulic Solenoid Valve Breakdown, Tennant Part Number 396926, includes; Fig. 14 and Fig. 15.

	Ref.	Tennant Part No.	Manufacturer Serial Number	Description	Qty.
▽		396926	(000000-	) Valve, Hyd,Cntrl, Sol	1
▲▽	1	396718	(000000-	) Valve, Hyd, Cntrl, Press [Comp]	1
▲▲	2	373590	(000000-	) Kit, Seal, Cartridge	1
▲	3	79727	(000000-	) Ball, Valve, Hyd	4
▲	4	79726	(000000-	) Spring, Valve, Hyd	4
▲	5	21920	(000000-	) Plug, Orifice	2
▲	6	13902	(000000-	) Fitting, Plug, O-Ring, #2, Valve	45
▲	7	74098	(000000-	) Fitting, Plug, O-Ring, #4	9
▲	8	13904	(000000-	) Fitting, Plug, O-Ring, #6, Valve	7
▲	9	13907	(000000-	) Fitting, Plug, O-Ring	1
▲▽	10	373591	(000000-	) Plug	1
▲▲	11	79711	(000000-	) Kit, Seal, Valve, Hyd [Cec]	1
▲▽	12	373488	(000000-	) Plug, Cavity	1
▲▲	13	79711	(000000-	) Kit, Seal, Valve, Hyd [Cec]	1

**Fig. 16 - Hydraulic Solenoid Valve Breakdown, 396927**

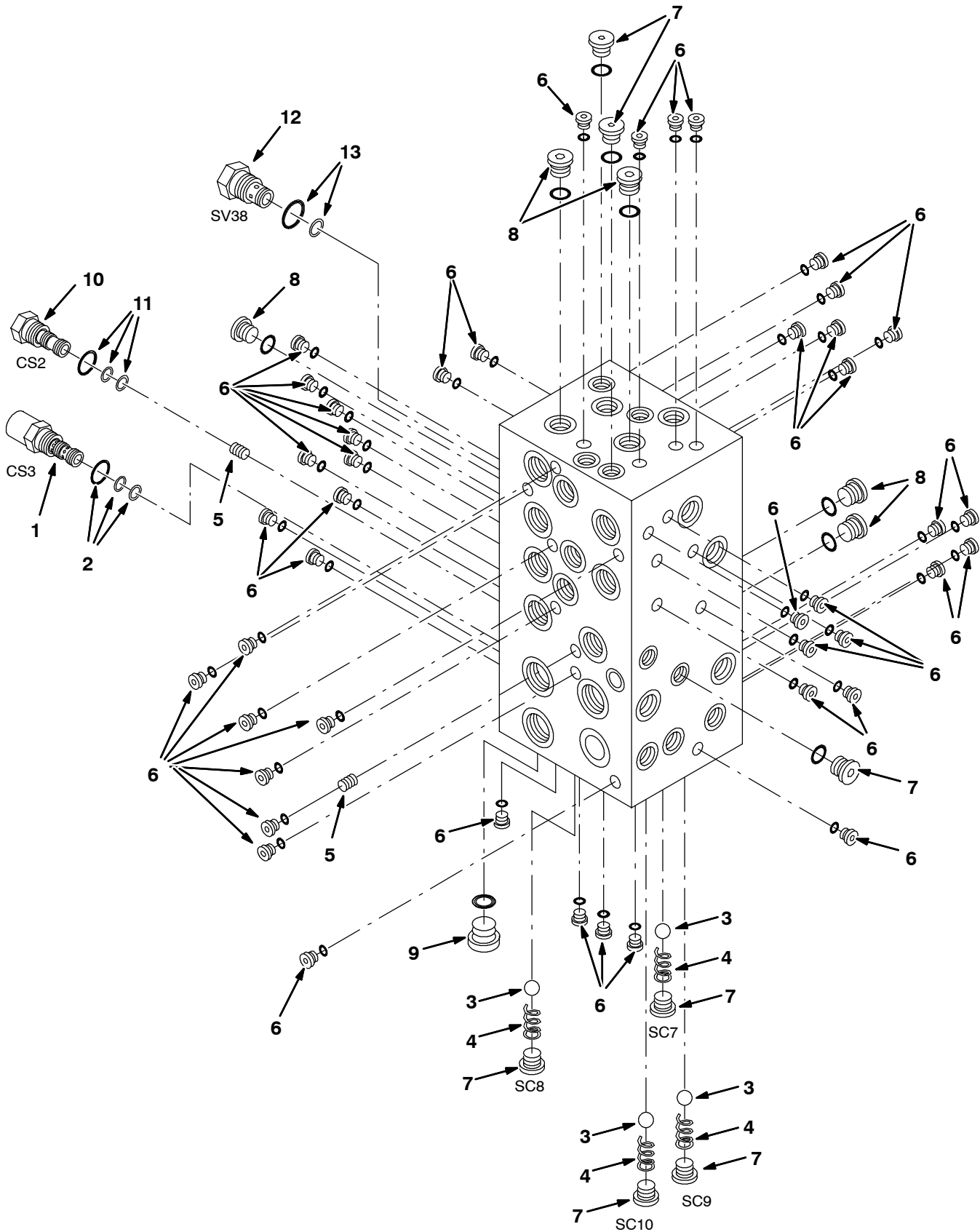


**Fig. 16 - Hydraulic Solenoid Valve Breakdown, 396927**

NOTE: Hydraulic Solenoid Valve Breakdown, Tennant Part Number 396927, includes; Fig. 16 and Fig. 17.

Ref.	Tennant Part No.	Manufacturer Serial Number	Description	Qty.
▽	396927	(000000-	) Valve, Hyd,Cntrl, Sol	1
▲▽	1 373472	(000000-	) Valve, Hyd, Flow Cntrl [Pwm]	2
▲▲	2 373595	(000000-	) Nut, Coil	1
▲▲	3 373594	(000000-	) Kit, Seal, Cartridge	1
▲▽	4 373489	(000000-	) Plug	1
▲▲	5 79711	(000000-	) Kit, Seal, Valve, Hyd [Cec]	1
▲	6 74099	(000000-	) Fitting, Plug, O-Ring, Motor, Hyd	1
▲▽	7 373490	(000000-	) Plug	1
▲▲	8 22699	(000000-	) Kit, Seal, Cartridge, Valve, Hyd	1
▲▽	9 373592	(000000-	) Plug	2
▲▲	10 48834	(000000-	) Kit, Seal, Valve, Hyd	1
▲▽	11 373479	(000000-	) Valve, Hyd, Sol, 12vdc Dir [3p4w]	2
▲▲	12 373589	(000000-	) Nut	1
▲▲	13 373590	(000000-	) Kit, Seal, Cartridge	1
▲▽	14 21907	(000000-	) Stem, Valve, Hyd, N.c.	1
▲▲	15 79728	(000000-	) Nut, Cart, Valve, Hyd	1
▲▲	16 79711	(000000-	) Kit, Seal, Valve, Hyd [Cec]	1
▲▲	17 79740	(000000-	) Kit, Seal, Valve, Hyd [Cec]	1
▲▽	18 79717	(000000-	) Valve Stem, N.c.	1
▲▲	19 79728	(000000-	) Nut, Cart, Valve, Hyd	1
▲▲	20 79711	(000000-	) Kit, Seal, Valve, Hyd [Cec]	1
▲▲	21 79740	(000000-	) Kit, Seal, Valve, Hyd [Cec]	1
▲▽	22 373475	(000000-	) Valve, Stem	1
▲▲	23 79728	(000000-	) Nut, Cart, Valve, Hyd	1
▲▲	24 79711	(000000-	) Kit, Seal, Valve, Hyd [Cec]	1
▲▽	25 373553	(000000-	) Valve, Check	1
▲▲	26 48834	(000000-	) Kit, Seal, Valve, Hyd	1
▲▽	27 373470	(000000-	) Valve, Hyd, Check, Pilot	2
▲▲	28 373342	(000000-	) Kit, Seal, Cartridge	1
▲▽	29 373593	(000000-	) Control, Logic	1
▲▲	30 373594	(000000-	) Kit, Seal, Cartridge	1
▲	31 21916	(000000-	) Solenoid, 12vdc, Valve, Hyd	4
▲	32 373468	(000000-	) Solenoid, Hyd, 12 Vdc, 42 Watt	2
▲	33 373478	(000000-	) Solenoid, Hyd, 12 Vdc, 12 Watt	4
▲▽	34 21905	(000000-	) Cartridge, Psi Cntrl, Valve, Hyd	1
▲▲	35 79731	(000000-	) Nut, Cart, Valve, Hyd	1
▲▲	36 79711	(000000-	) Kit, Seal, Valve, Hyd [Cec]	1
▲▲	37 79740	(000000-	) Kit, Seal, Valve, Hyd [Cec]	1

Fig. 17 - Hydraulic Solenoid Valve Breakdown, 396927



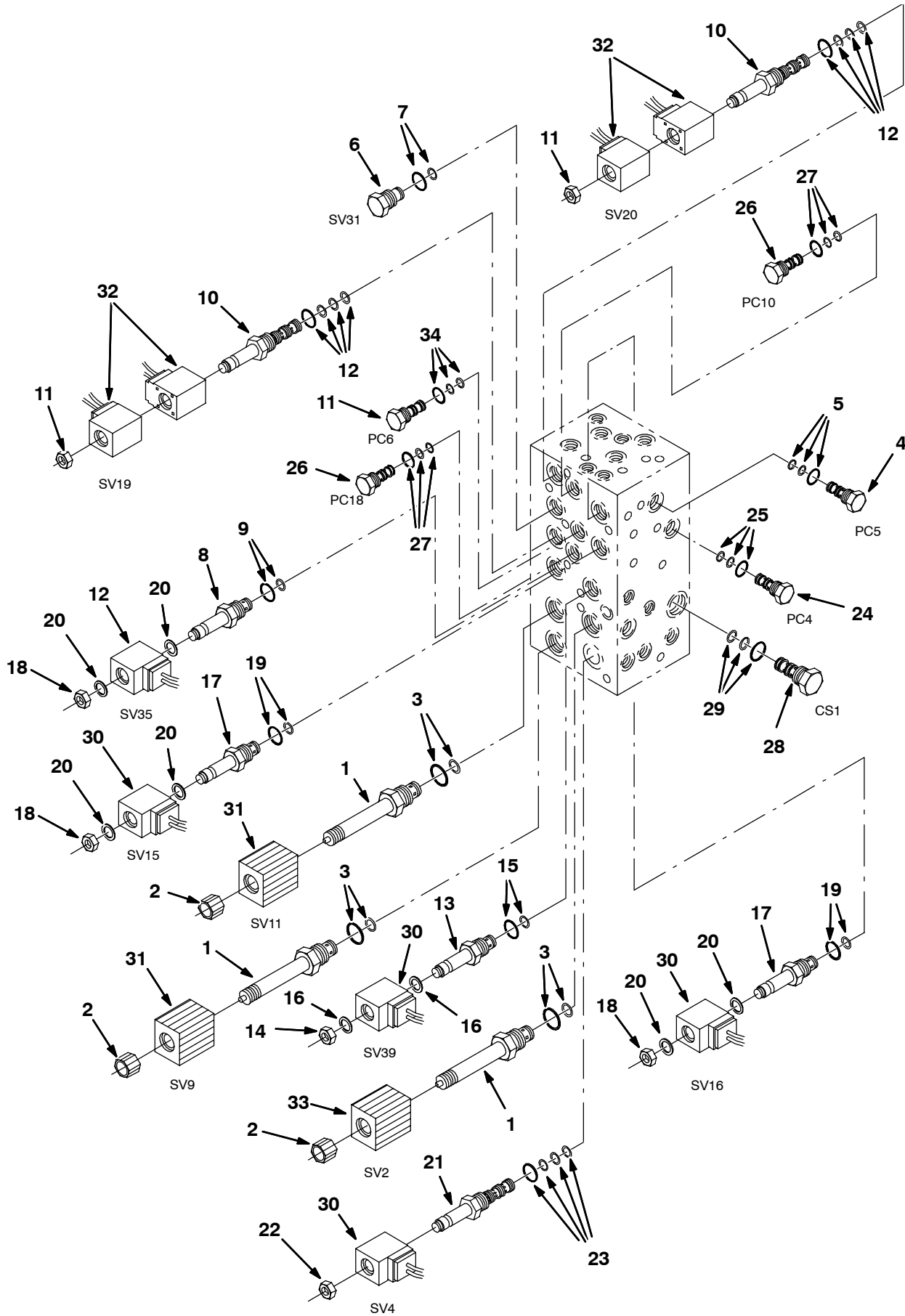


**Fig. 17 - Hydraulic Solenoid Valve Breakdown, 396927**

NOTE: Hydraulic Solenoid Valve Breakdown, Tennant Part Number 396927, includes; Fig. 16 and Fig. 17.

	<b>Ref.</b>	<b>Tennant Part No.</b>	<b>Manufacturer Serial Number</b>	<b>Description</b>	<b>Qty.</b>
▽		396927	(000000-	) Valve, Hyd,Cntrl, Sol	1
▲▽	1	396718	(000000-	) Valve, Hyd, Cntrl, Press [Comp]	1
▲▲	2	373590	(000000-	) Kit, Seal, Cartridge	1
▲	3	79727	(000000-	) Ball, Valve, Hyd	4
▲	4	79726	(000000-	) Spring, Valve, Hyd	4
▲	5	21920	(000000-	) Plug, Orifice	2
▲	6	13902	(000000-	) Fitting, Plug, O-Ring, #2, Valve	45
▲	7	74098	(000000-	) Fitting, Plug, O-Ring, #4	9
▲	8	13904	(000000-	) Fitting, Plug, O-Ring, #6, Valve	7
▲	9	13907	(000000-	) Fitting, Plug, O-Ring	1
▲▽	10	373591	(000000-	) Plug	1
▲▲	11	79711	(000000-	) Kit, Seal, Valve, Hyd [Cec]	1
▲▽	12	373488	(000000-	) Plug, Cavity	1
▲▲	13	79711	(000000-	) Kit, Seal, Valve, Hyd [Cec]	1

**Fig. 18 - Hydraulic Solenoid Valve Breakdown, 396928**

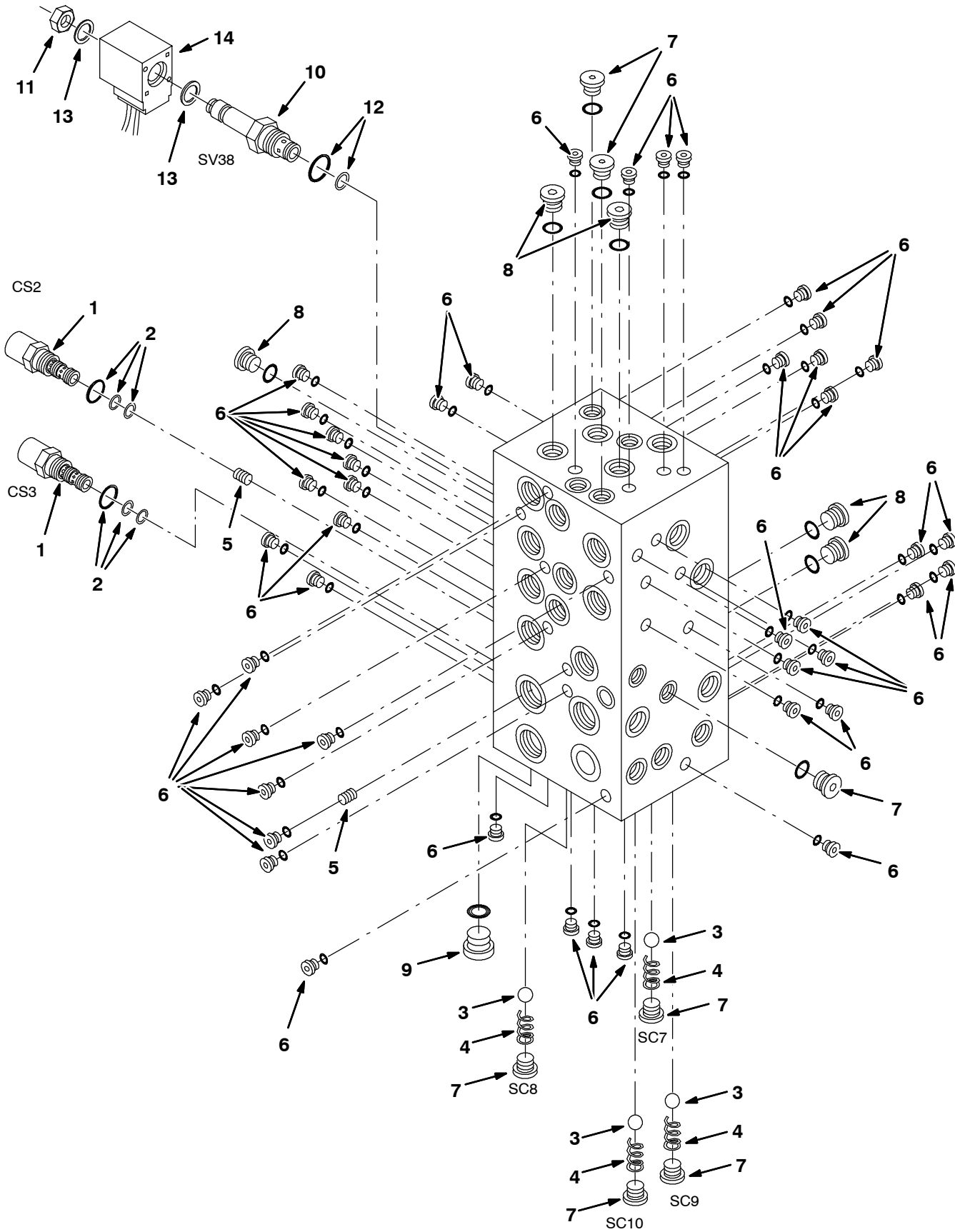


**Fig. 18 - Hydraulic Solenoid Valve Breakdown, 396928**

NOTE: Hydraulic Solenoid Valve Breakdown, Tennant Part Number 396928, includes; Fig. 18 and Fig. 19.

Ref.	Tennant Part No.	Manufacturer Serial Number	Description	Qty.
▽	396928	(000000-	) Valve, Hyd,Cntrl, Sol	1
▲▽	1 373472	(000000-	) Valve, Hyd, Flow Cntrl [Pwm]	3
▲▲	2 373595	(000000-	) Nut, Coil	1
▲▲	3 373594	(000000-	) Kit, Seal, Cartridge	1
▲▽	4 31476	(000000-	) Valve, Check, Valve, Hyd	1
▲▲	5 48834	(000000-	) Kit, Seal, Valve, Hyd	1
▲▽	6 373489	(000000-	) Plug	1
▲▲	7 79711	(000000-	) Kit, Seal, Valve, Hyd [Cec]	1
▲▽	8 21905	(000000-	) Cartridge, Psi Cntrl, Valve, Hyd	2
▲▲	9 79731	(000000-	) Nut, Cart, Valve, Hyd	1
▲▲	10 79711	(000000-	) Kit, Seal, Valve, Hyd [Cec]	1
▲▲	11 79740	(000000-	) Kit, Seal, Valve, Hyd [Cec]	1
▲	12 21916	(000000-	) Solenoid, 12vdc, Valve, Hyd	5
▲▽	13 373479	(000000-	) Valve, Hyd, Sol, 12vdc Dir [3p4w]	2
▲▲	14 373589	(000000-	) Nut	1
▲▲	15 373590	(000000-	) Kit, Seal, Cartridge	1
▲▽	16 21907	(000000-	) Stem, Valve, Hyd, N.c.	1
▲▲	17 79728	(000000-	) Nut, Cart, Valve, Hyd	1
▲▲	18 79711	(000000-	) Kit, Seal, Valve, Hyd [Cec]	1
▲▲	19 79740	(000000-	) Kit, Seal, Valve, Hyd [Cec]	1
▲▽	20 79717	(000000-	) Valve Stem, N.c.	2
▲▲	21 79728	(000000-	) Nut, Cart, Valve, Hyd	1
▲▲	22 79711	(000000-	) Kit, Seal, Valve, Hyd [Cec]	1
▲▲	23 79740	(000000-	) Kit, Seal, Valve, Hyd [Cec]	1
▲▽	24 373475	(000000-	) Valve, Stem	1
▲▲	25 79728	(000000-	) Nut, Cart, Valve, Hyd	1
▲▲	26 79711	(000000-	) Kit, Seal, Valve, Hyd [Cec]	1
▲▽	27 373553	(000000-	) Valve, Check	1
▲▲	28 48834	(000000-	) Kit, Seal, Valve, Hyd	1
▲▽	29 373470	(000000-	) Valve, Hyd, Check, Pilot	2
▲▲	30 373342	(000000-	) Kit, Seal, Cartridge	1
▲▽	31 373593	(000000-	) Control, Logic	1
▲▲	32 373594	(000000-	) Kit, Seal, Cartridge	1
▲	33 373468	(000000-	) Solenoid, Hyd, 12 Vdc, 42 Watt	3
▲	34 373478	(000000-	) Solenoid, Hyd, 12 Vdc, 12 Watt	4
▲▽	35 373592	(000000-	) Plug	1
▲▲	36 48834	(000000-	) Kit, Seal, Valve, Hyd	1

**Fig. 19 - Hydraulic Solenoid Valve Breakdown, 396928**

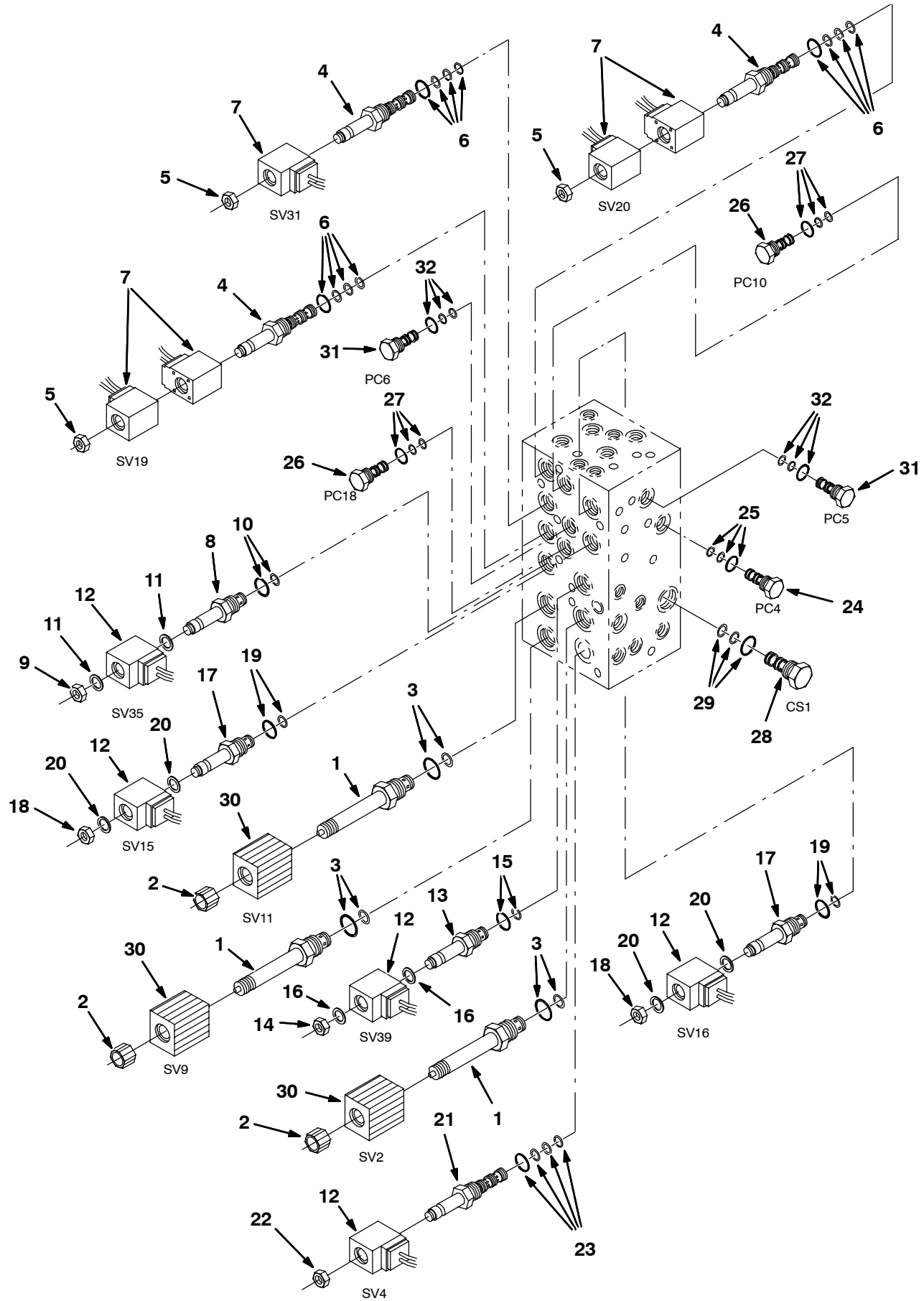


**Fig. 19 - Hydraulic Solenoid Valve Breakdown, 396928**

NOTE: Hydraulic Solenoid Valve Breakdown, Tennant Part Number 396928, includes; Fig. 18 and Fig. 19.

	Ref.	Tennant Part No.	Manufacturer Serial Number	Description	Qty.
▽		396928	(000000-	) Valve, Hyd,Cntrl, Sol	1
▲▽	1	396718	(000000-	) Valve, Hyd, Cntrl, Press [Comp]	2
▲▲	2	373590	(000000-	) Kit, Seal, Cartridge	1
▲	3	79727	(000000-	) Ball, Valve, Hyd	4
▲	4	79726	(000000-	) Spring, Valve, Hyd	4
▲	5	21920	(000000-	) Plug, Orifice	2
▲	6	13902	(000000-	) Fitting, Plug, O-Ring, #2, Valve	45
▲	7	74098	(000000-	) Fitting, Plug, O-Ring, #4	9
▲	8	13904	(000000-	) Fitting, Plug, O-Ring, #6, Valve	7
▲	9	13907	(000000-	) Fitting, Plug, O-Ring	1
▲▽	10	21907	(000000-	) Stem, Valve, Hyd, N.C.	1
▲▲	11	79728	(000000-	) Nut, Cart, Valve, Hyd	1
▲▲	12	79711	(000000-	) Kit, Seal, Valve, Hyd [Cec]	1
▲▲	13	79740	(000000-	) Kit, Seal, Valve, Hyd [Cec]	1
▲	14	21916	(000000-	) Solenoid, 12vdc, Valve, Hyd	1

**Fig. 20 - Hydraulic Solenoid Valve Breakdown, 396929**

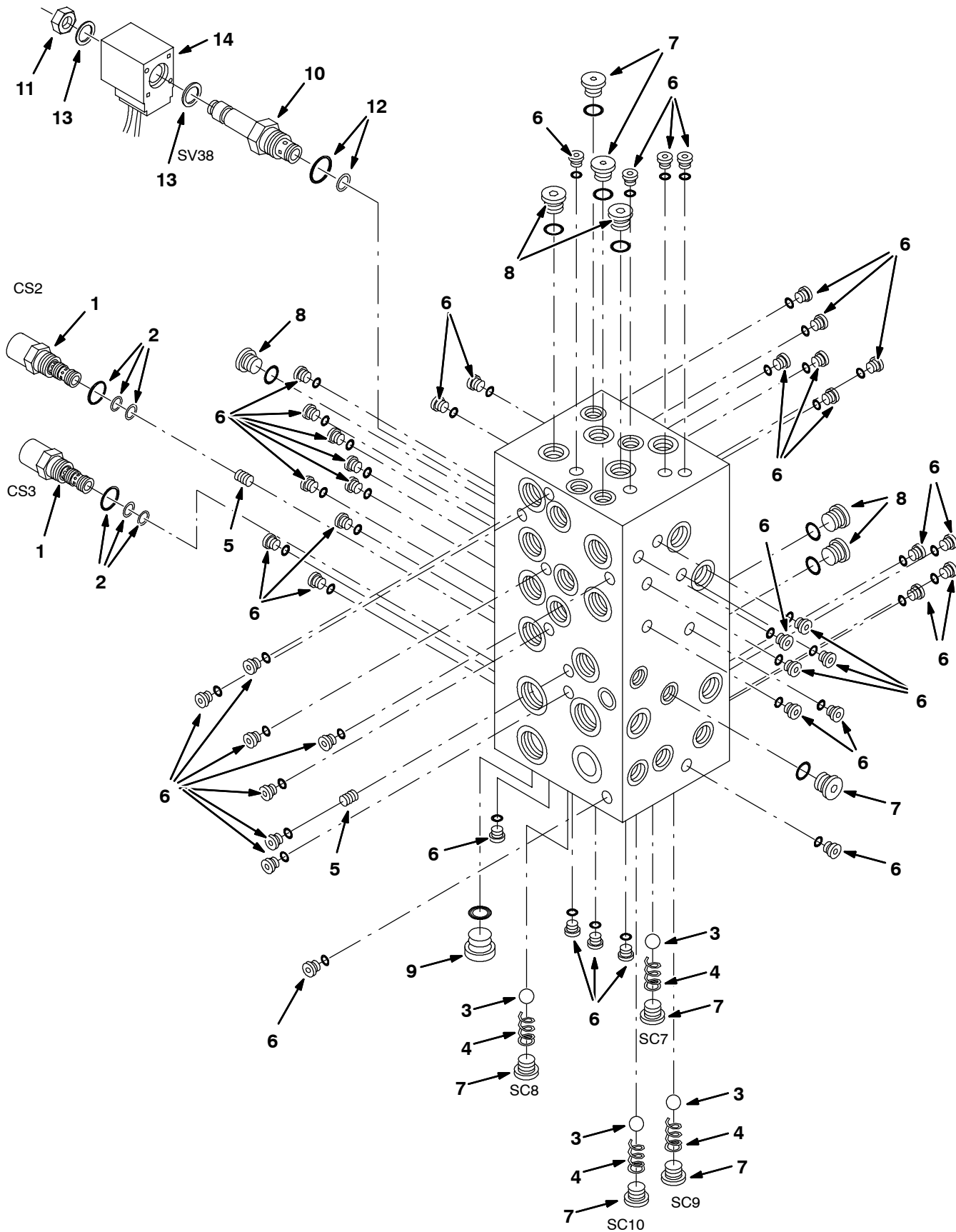


**Fig. 20 - Hydraulic Solenoid Valve Breakdown, 396929**

NOTE: Hydraulic Solenoid Valve Breakdown, Tennant Part Number 396929, includes; Fig. 20 and Fig. 21.

Ref.	Tennant Part No.	Manufacturer Serial Number	Description	Qty.
▽	396929	(000000-	) Valve, Hyd,Cntrl, Sol	1
▲▽	1 373472	(000000-	) Valve, Hyd, Flow Cntrl [Pwm]	3
▲▲	2 373595	(000000-	) Nut, Coil	1
▲▲	3 373594	(000000-	) Kit, Seal, Cartridge	1
▲▽	4 373479	(000000-	) Valve, Hyd, Sol, 12vdc Dir [3p4w]	3
▲▲	5 373589	(000000-	) Nut	1
▲▲	6 373590	(000000-	) Kit, Seal, Cartridge	1
▲	7 373478	(000000-	) Solenoid, Hyd, 12 Vdc, 12 Watt	5
▲▽	8 21905	(000000-	) Cartridge, Psi Cntrl, Valve, Hyd	1
▲▲	9 79731	(000000-	) Nut, Cart, Valve, Hyd	1
▲▲	10 79711	(000000-	) Kit, Seal, Valve, Hyd [Cec]	1
▲▲	11 79740	(000000-	) Kit, Seal, Valve, Hyd [Cec]	1
▲	12 21916	(000000-	) Solenoid, 12vdc, Valve, Hyd	5
▲▽	13 21907	(000000-	) Stem, Valve, Hyd, N.c.	1
▲▲	14 79728	(000000-	) Nut, Cart, Valve, Hyd	1
▲▲	15 79711	(000000-	) Kit, Seal, Valve, Hyd [Cec]	1
▲▲	16 79740	(000000-	) Kit, Seal, Valve, Hyd [Cec]	1
▲▽	17 79717	(000000-	) Valve Stem, N.c.	2
▲▲	18 79728	(000000-	) Nut, Cart, Valve, Hyd	1
▲▲	19 79711	(000000-	) Kit, Seal, Valve, Hyd [Cec]	1
▲▲	20 79740	(000000-	) Kit, Seal, Valve, Hyd [Cec]	1
▲▽	21 373475	(000000-	) Valve, Stem	1
▲▲	22 79728	(000000-	) Nut, Cart, Valve, Hyd	1
▲▲	23 79711	(000000-	) Kit, Seal, Valve, Hyd [Cec]	1
▲▽	24 373553	(000000-	) Valve, Check	1
▲▲	25 48834	(000000-	) Kit, Seal, Valve, Hyd	1
▲▽	26 373470	(000000-	) Valve, Hyd, Check, Pilot	2
▲▲	27 373342	(000000-	) Kit, Seal, Cartridge	1
▲▽	28 373593	(000000-	) Control, Logic	1
▲▲	29 373594	(000000-	) Kit, Seal, Cartridge	1
▲	30 373468	(000000-	) Solenoid, Hyd, 12 Vdc, 42 Watt	3
▲▽	31 31476	(000000-	) Valve, Check, Valve, Hyd	2
▲▲	32 48834	(000000-	) Kit, Seal, Valve, Hyd	1

**Fig. 21 - Hydraulic Solenoid Valve Breakdown, 396929**



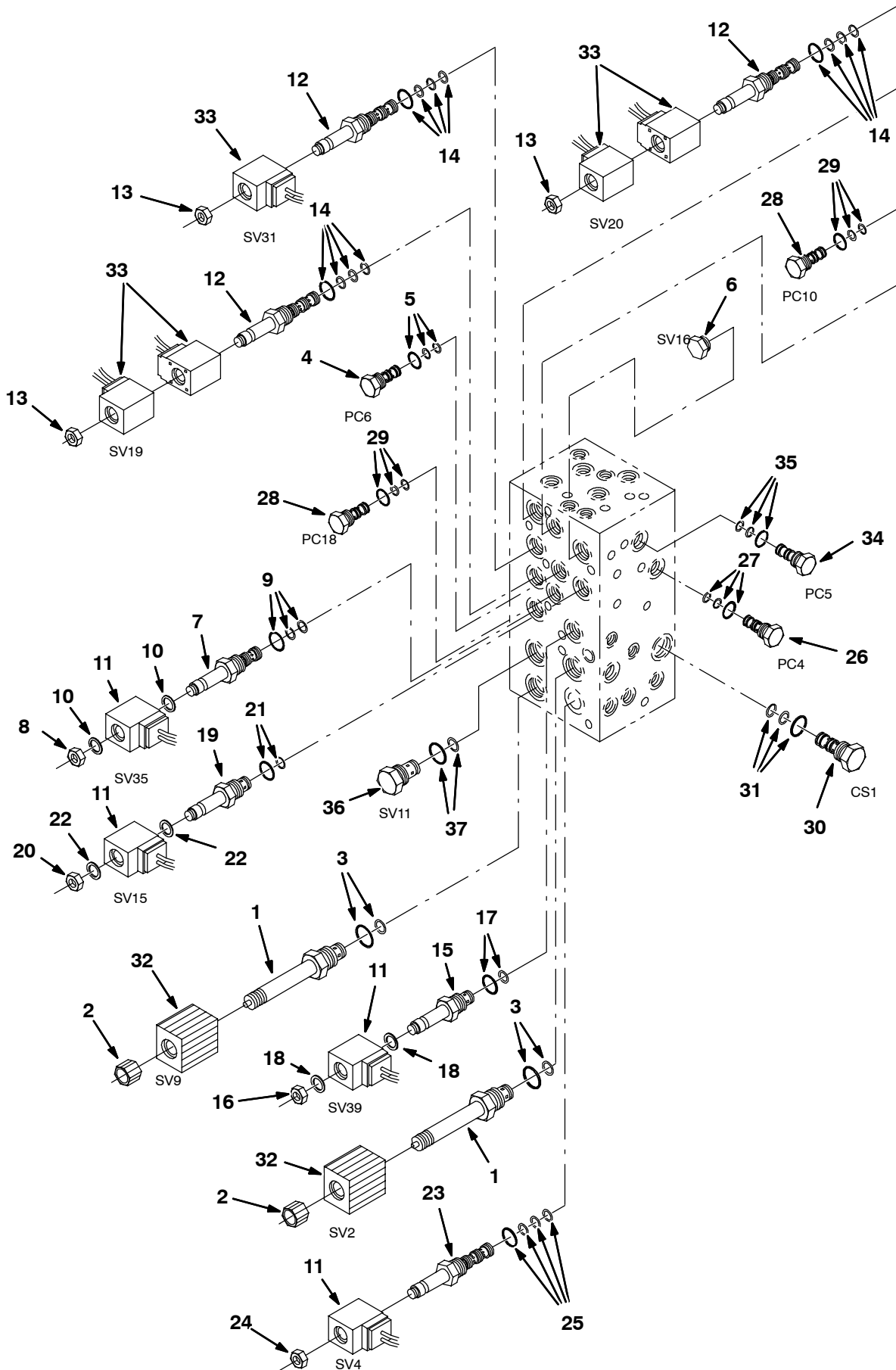


**Fig. 21 - Hydraulic Solenoid Valve Breakdown, 396929**

NOTE: Hydraulic Solenoid Valve Breakdown, Tennant Part Number 396929, includes; Fig. 20 and Fig. 21.

	Ref.	Tennant Part No.	Manufacturer Serial Number	Description	Qty.
▽		396929	(000000-	) Valve, Hyd,Cntrl, Sol	1
▲▽	1	396718	(000000-	) Valve, Hyd, Cntrl, Press [Comp]	2
▲▲	2	373590	(000000-	) Kit, Seal, Cartridge	1
▲	3	79727	(000000-	) Ball, Valve, Hyd	4
▲	4	79726	(000000-	) Spring, Valve, Hyd	4
▲	5	21920	(000000-	) Plug, Orifice	2
▲	6	13902	(000000-	) Fitting, Plug, O-Ring, #2, Valve	45
▲	7	74098	(000000-	) Fitting, Plug, O-Ring, #4	9
▲	8	13904	(000000-	) Fitting, Plug, O-Ring, #6, Valve	7
▲	9	13907	(000000-	) Fitting, Plug, O-Ring	1
▲▽	10	21907	(000000-	) Stem, Valve, Hyd, N.C.	1
▲▲	11	79728	(000000-	) Nut, Cart, Valve, Hyd	1
▲▲	12	79711	(000000-	) Kit, Seal, Valve, Hyd [Cec]	1
▲▲	13	79740	(000000-	) Kit, Seal, Valve, Hyd [Cec]	1
▲	14	21916	(000000-	) Solenoid, 12vdc, Valve, Hyd	1

Fig. 22 - Hydraulic Solenoid Valve Breakdown, 396930

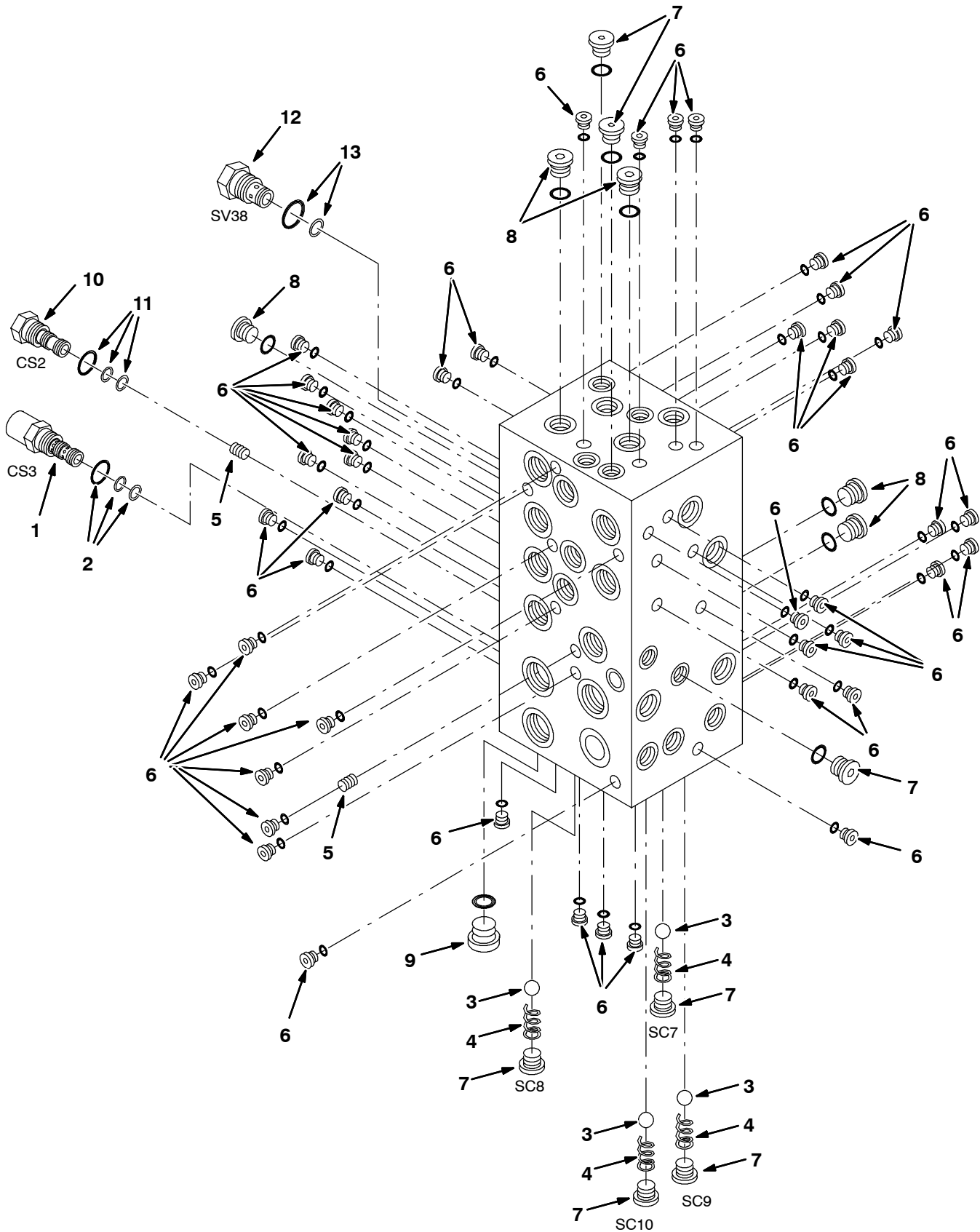


**Fig. 22 - Hydraulic Solenoid Valve Breakdown, 396930**

NOTE: Hydraulic Solenoid Valve Breakdown, Tennant Part Number 396930, includes; Fig. 22 and Fig. 23.

Ref.	Tennant Part No.	Manufacturer Serial Number	Description	Qty.
▽	396930	(000000-	) Valve, Hyd,Cntrl, Sol	1
▲▽	1 373472	(000000-	) Valve, Hyd, Flow Cntrl [Pwm]	2
▲▲	2 373595	(000000-	) Nut, Coil	1
▲▲	3 373594	(000000-	) Kit, Seal, Cartridge	1
▲▽	4 31476	(000000-	) Valve, Check, Valve, Hyd	1
▲▲	5 48834	(000000-	) Kit, Seal, Valve, Hyd	1
▲	6 74099	(000000-	) Fitting, Plug, O-Ring, Motor, Hyd	1
▲▽	7 21905	(000000-	) Cartridge, Psi Cntrl, Valve, Hyd	1
▲▲	8 79731	(000000-	) Nut, Cart, Valve, Hyd	1
▲▲	9 79711	(000000-	) Kit, Seal, Valve, Hyd [Cec]	1
▲▲	10 79740	(000000-	) Kit, Seal, Valve, Hyd [Cec]	1
▲	11 21916	(000000-	) Solenoid, 12vdc, Valve, Hyd	4
▲▽	12 373479	(000000-	) Valve, Hyd, Sol, 12vdc Dir [3p4w]	3
▲▲	13 373589	(000000-	) Nut	1
▲▲	14 373590	(000000-	) Kit, Seal, Cartridge	1
▲▽	15 21907	(000000-	) Stem, Valve, Hyd, N.c.	1
▲▲	16 79728	(000000-	) Nut, Cart, Valve, Hyd	1
▲▲	17 79711	(000000-	) Kit, Seal, Valve, Hyd [Cec]	1
▲▲	18 79740	(000000-	) Kit, Seal, Valve, Hyd [Cec]	1
▲▽	19 79717	(000000-	) Valve Stem, N.c.	1
▲▲	20 79728	(000000-	) Nut, Cart, Valve, Hyd	1
▲▲	21 79711	(000000-	) Kit, Seal, Valve, Hyd [Cec]	1
▲▲	22 79740	(000000-	) Kit, Seal, Valve, Hyd [Cec]	1
▲▽	23 373475	(000000-	) Valve, Stem	1
▲▲	24 79728	(000000-	) Nut, Cart, Valve, Hyd	1
▲▲	25 79711	(000000-	) Kit, Seal, Valve, Hyd [Cec]	1
▲▽	26 373553	(000000-	) Valve, Check	1
▲▲	27 48834	(000000-	) Kit, Seal, Valve, Hyd	1
▲▽	28 373470	(000000-	) Valve, Hyd, Check, Pilot	2
▲▲	29 373342	(000000-	) Kit, Seal, Cartridge	1
▲▽	30 373593	(000000-	) Control, Logic	1
▲▲	31 373594	(000000-	) Kit, Seal, Cartridge	1
▲	32 373468	(000000-	) Solenoid, Hyd, 12 Vdc, 42 Watt	2
▲	33 373478	(000000-	) Solenoid, Hyd, 12 Vdc, 12 Watt	5
▲▽	34 373592	(000000-	) Plug	1
▲▲	35 48834	(000000-	) Kit, Seal, Valve, Hyd	1
▲▽	36 373490	(000000-	) Plug	1
▲▲	37 22699	(000000-	) Kit, Seal, Cartridge, Valve, Hyd	1

**Fig. 23 - Hydraulic Solenoid Valve Breakdown, 396930**



**Fig. 23 - Hydraulic Solenoid Valve Breakdown, 396930**

NOTE: Hydraulic Solenoid Valve Breakdown, Tennant Part Number 396930, includes; Fig. 22 and Fig. 23.

	Ref.	Tennant Part No.	Manufacturer Serial Number	Description	Qty.
▽		396930	(000000-	) Valve, Hyd,Cntrl, Sol	1
▲▽	1	396718	(000000-	) Valve, Hyd, Cntrl, Press [Comp]	2
▲▲	2	373590	(000000-	) Kit, Seal, Cartridge	1
▲	3	79727	(000000-	) Ball, Valve, Hyd	4
▲	4	79726	(000000-	) Spring, Valve, Hyd	4
▲	5	21920	(000000-	) Plug, Orifice	2
▲	6	13902	(000000-	) Fitting, Plug, O-Ring, #2, Valve	45
▲	7	74098	(000000-	) Fitting, Plug, O-Ring, #4	9
▲	8	13904	(000000-	) Fitting, Plug, O-Ring, #6, Valve	7
▲	9	13907	(000000-	) Fitting, Plug, O-Ring	1
▲▽	10	373591	(000000-	) Plug	1
▲▲	11	79711	(000000-	) Kit, Seal, Valve, Hyd [Cec]	1
▲▽	12	373488	(000000-	) Plug, Cavity	1
▲▲	13	79711	(000000-	) Kit, Seal, Valve, Hyd [Cec]	1

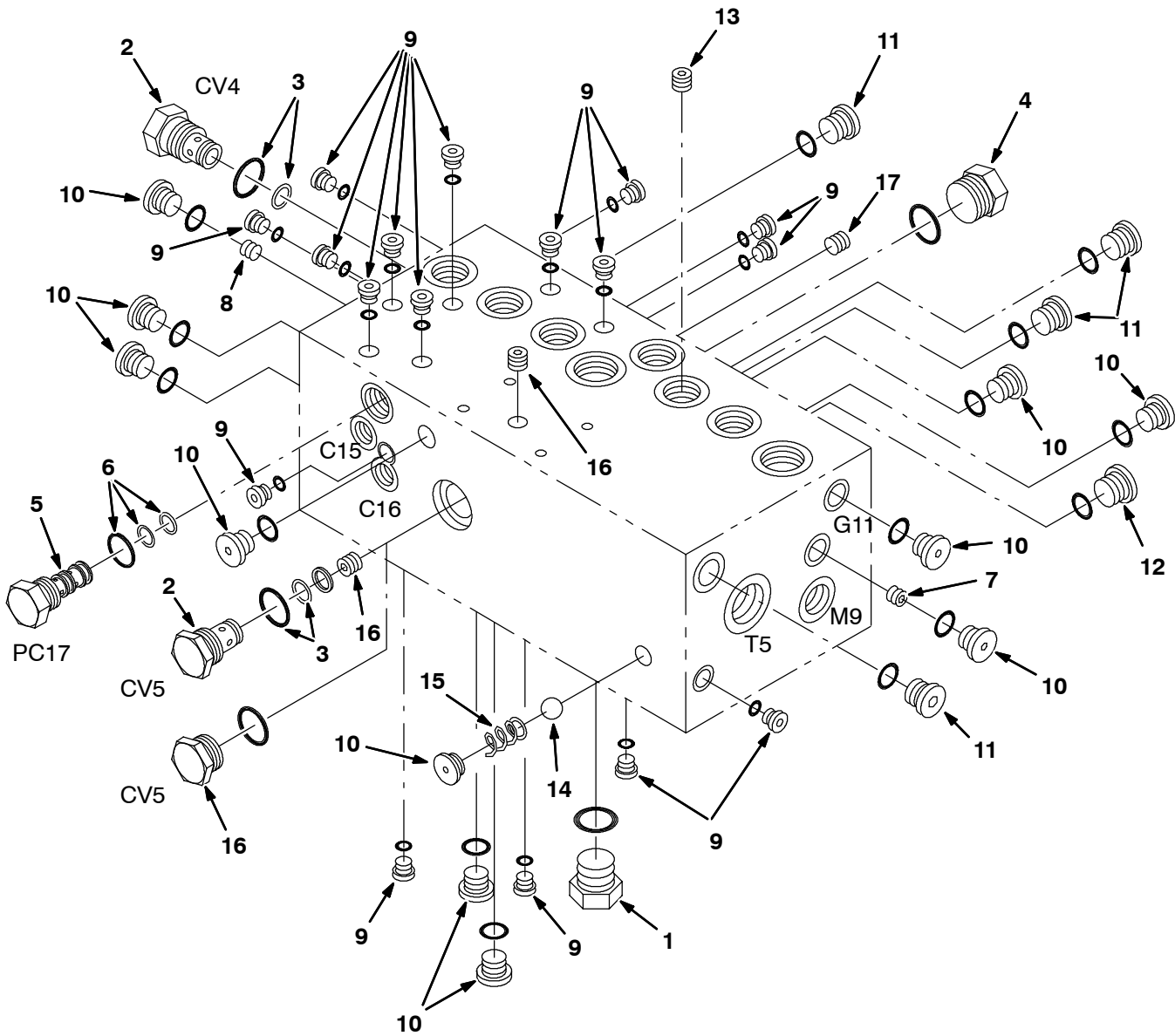


**Fig. 24 - Hydraulic Solenoid Valve Breakdown, 394436**

NOTE: Hydraulic Solenoid Valve Breakdown, Tennant Part Number 394436, includes; Fig. 24 and Fig. 25.

Ref.	Tennant Part No.	Manufacturer Serial Number	Description	Qty.
▽	394436	(000000-	) Valve, Hyd, Sol, 12vdc [11s20g3000]	1
▲▽	1 373472	(000000-	) Valve, Hyd, Flow Cntrl [Pwm]	1
▲▲	2 373595	(000000-	) Nut, Coil	1
▲▲	3 373594	(000000-	) Kit, Seal, Cartridge	1
▲▽	4 21907	(000000-	) Stem, Valve, Hyd, N.C.	1
▲▲	5 79728	(000000-	) Nut, Cart, Valve, Hyd	1
▲▲	6 79711	(000000-	) Kit, Seal, Valve, Hyd [Cec]	1
▲▲	7 79740	(000000-	) Kit, Seal, Valve, Hyd [Cec]	1
▲▽	8 21906	(000000-	) Stem, Valve, Hyd 3w2p	3
▲▲	9 79731	(000000-	) Nut, Cart, Valve, Hyd	1
▲▲	10 79711	(000000-	) Kit, Seal, Valve, Hyd [Cec]	1
▲▲	11 79740	(000000-	) Kit, Seal, Valve, Hyd [Cec]	1
▲▽	12 21905	(000000-	) Cartridge, Psi Cntrl, Valve, Hyd	1
▲▲	13 79731	(000000-	) Nut, Cart, Valve, Hyd	1
▲▲	14 79711	(000000-	) Kit, Seal, Valve, Hyd [Cec]	1
▲▲	15 79740	(000000-	) Kit, Seal, Valve, Hyd [Cec]	1
▲	16 74099	(000000-	) Fitting, Plug, O-Ring, Motor, Hyd	1
▲▽	17 373465	(000000-	) Valve, Hyd, Relief, 30gpm 2700psi	1
▲▲	18 79711	(000000-	) Kit, Seal, Valve, Hyd [Cec]	1
▲▽	19 79717	(000000-	) Valve Stem, N.C.	1
▲▲	20 79728	(000000-	) Nut, Cart, Valve, Hyd	1
▲▲	21 79711	(000000-	) Kit, Seal, Valve, Hyd [Cec]	1
▲▲	22 79740	(000000-	) Kit, Seal, Valve, Hyd [Cec]	1
▲▽	23 79716	(000000-	) Stem, Valve, Hyd	1
▲▲	24 79728	(000000-	) Nut, Cart, Valve, Hyd	1
▲▲	25 79711	(000000-	) Kit, Seal, Valve, Hyd [Cec]	1
▲▲	26 79740	(000000-	) Kit, Seal, Valve, Hyd [Cec]	1
▲	27 79779	(000000-	) Plug, O-Ring	1
▲▽	28 373466	(000000-	) Valve, Hyd, Check, Pilot	1
▲▲	29 22699	(000000-	) Kit, Seal, Cartridge, Valve, Hyd	1
▲	30 373491	(000000-	) Plate, Cover] (W/O High Dump)	1
▲	31 373467	(000000-	) Valve, Hyd, Sol, 12vdc Dir [3p4w] (W/ High Dump)	1
▲	32 373468	(000000-	) Solenoid, Hyd, 12 Vdc, 42 Watt	1
▲	33 21916	(000000-	) Solenoid, 12vdc, Valve, Hyd	8
▲	34 373469	(000000-	) Piston, Pilot	1
▲	35 373480	(000000-	) Screw, Soc, .25-20 X 1.50, Al	4

**Fig. 25 - Hydraulic Solenoid Valve Breakdown, 394436**





**Fig. 25 - Hydraulic Solenoid Valve Breakdown, 394436**

NOTE: Hydraulic Solenoid Valve Breakdown, Tennant Part Number 394436, includes; Fig. 24 and Fig. 25.

	Ref.	Tennant Part No.	Manufacturer Serial Number	Description	Qty.
▽		394436	(000000-	) Valve, Hyd, Sol, 12vdc [11s20g3000]	1
▲	1	74099	(000000-	) Fitting, Plug, O-Ring, Motor, Hyd	2
▲▽	2	79710	(000000-	) Cartridge, Valve, Chk	2
▲▲	3	79711	(000000-	) Kit, Seal, Valve, Hyd [Cec]	1
▲	4	79779	(000000-	) Plug, O-Ring	1
▲▽	5	373470	(000000-	) Valve, Hyd, Check, Pilot	1
▲▲	6	373342	(000000-	) Kit, Seal, Cartridge	1
▲	7	79723	(000000-	) Plug, Valve, Hyd	1
▲	8	21920	(000000-	) Plug, Orifice Cp	1
▲	9	13902	(000000-	) Fitting, Plug, O-Ring, #2, Valve	17
▲	10	74098	(000000-	) Fitting, Plug, O-Ring, #4	11
▲	11	13904	(000000-	) Fitting, Plug, O-Ring, #6, Valve	4
▲	12	13907	(000000-	) Fitting, Plug, O-Ring	1
▲	13	22670	(000000-	) Fitting, Hyd, Plug, Om	1
▲	14	79727	(000000-	) Ball, Valve, Hyd	1
▲	15	79726	(000000-	) Spring, Valve, Hyd	1
▲	16	373481	(000000-	) Plug, Orifice	2
▲	17	373482	(000000-	) Plug, Orifice	1



Fig. 26 - Hydraulic Solenoid Valve Breakdown, 394437

Ref.	Tennant Part No.	Manufacturer Serial Number	Description	Qty.
▽	394437	(000000-	) Valve, Hyd, Sol, 12vdc [4s01g3000]	1
▲▽	1 373497	(000000-	) Valve, Hyd, Sol, 12vdc 03gpm 0500psi	1
▲▲	2 373589	(000000-	) Nut	1
▲▲	3 373596	(000000-	) Seal Kit, Cartridge	1
▲	4 373498	(000000-	) Solenoid, Hyd, 12 Vdc, 12 Watt	2
▲▽	5 31476	(000000-	) Valve, Check, Valve, Hyd	4
▲▲	6 48834	(000000-	) Kit, Seal, Valve, Hyd	1
▲▽	7 373558	(000000-	) Valve, Shuttle	3
▲▲	8 373599	(000000-	) Seal Kit, Cartridge	1
▲	9 79727	(000000-	) Ball, Valve, Hyd	1
▲	10 79726	(000000-	) Spring, Valve, Hyd	1
▲▽	11 373559	(000000-	) Plug, Cavity (W/O Left Side Brush Tilt)	1
▲▲	12 373596	(000000-	) Seal Kit, Cartridge	1
▲	13 13902	(000000-	) Fitting, Plug, O-Ring, #2, Valve	26
▲	14 74098	(000000-	) Fitting, Plug, O-Ring, #4	3
▲▽	15 373497	(000000-	) Valve, Hyd, Sol, 12vdc 03gpm 0500psi (W/ Left Side Brush Tilt)	1
▲▲	16 373589	(000000-	) Nut	1
▲▲	17 373596	(000000-	) Seal Kit, Cartridge	1
▲▽	18 373498	(000000-	) Solenoid, Hyd, 12 Vdc, 12 Watt (W/ Left Side Brush Tilt)	2

**Fig. 27 - Hydraulic Solenoid Valve Breakdown, 394423**

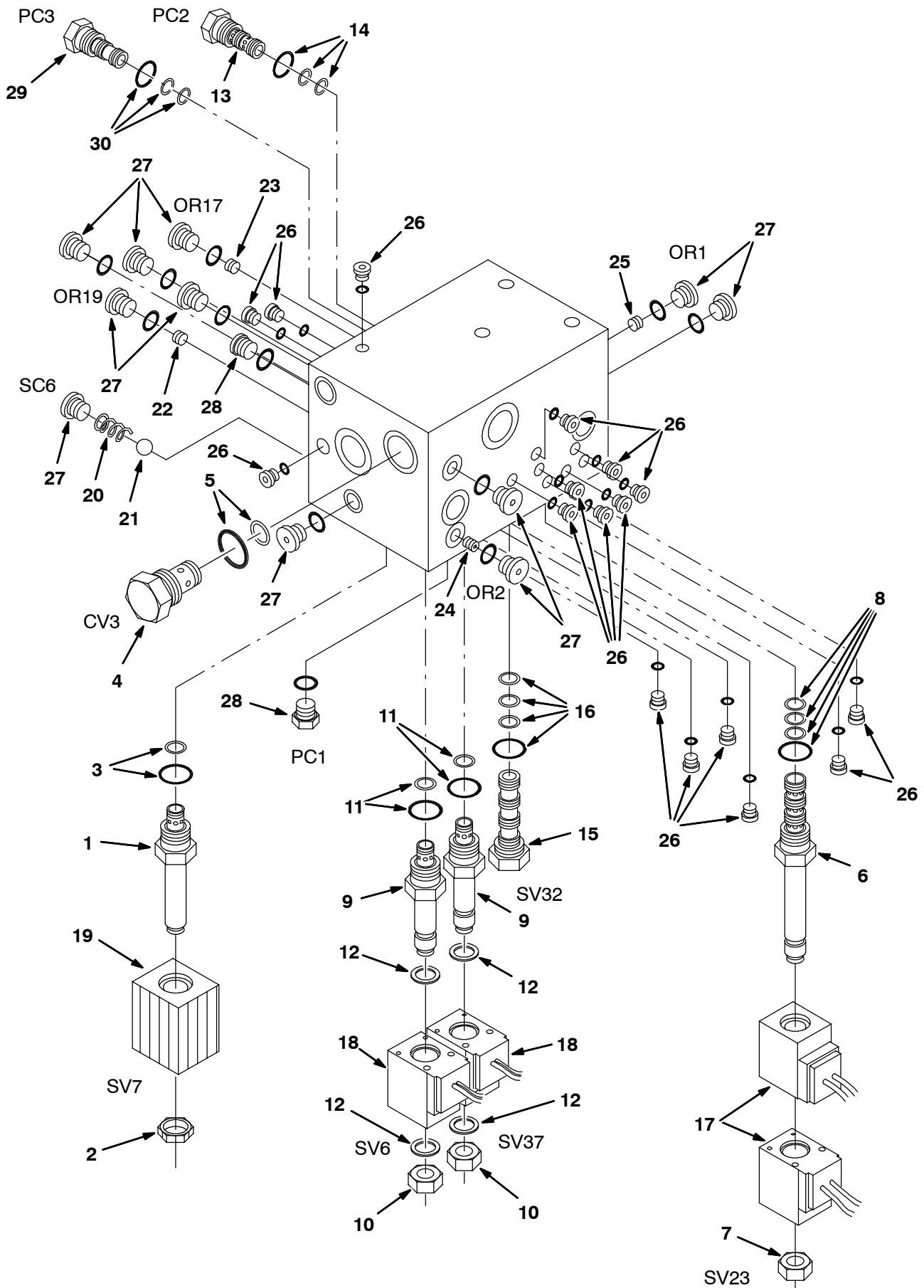


Fig. 27 - Hydraulic Solenoid Valve Breakdown, 394423

Ref.	Tennant Part No.	Manufacturer Serial Number	Description	Qty.
▽	394423	(000000-	) Valve, Hyd, Sol, 12vdc [07s30g3000]	1
▲▽	1 373484	(000000-	) Cartridge, Psi Cntrl, Valve, Hyd	1
▲▲	2 373587	(000000-	) Nut	1
▲▲	3 373588	(000000-	) Seal Kit, Cartridge	1
▲▽	4 373483	(000000-	) Valve, Hyd, Check, Pilot	1
▲▲	5 22699	(000000-	) Kit, Seal, Cartridge, Valve, Hyd	1
▲▽	6 373479	(000000-	) Valve, Hyd, Sol, 12vdc Dir [3p4w]	1
▲▲	7 373589	(000000-	) Nut	1
▲▲	8 373590	(000000-	) Kit, Seal, Cartridge	1
▲▽	9 79716	(000000-	) Stem, Valve, Hyd	2
▲▲	10 79728	(000000-	) Nut, Cart, Valve, Hyd	1
▲▲	11 79711	(000000-	) Kit, Seal, Valve, Hyd [Cec]	1
▲▲	12 79740	(000000-	) Kit, Seal, Valve, Hyd [Cec]	1
▲▽	13 373470	(000000-	) Valve, Hyd, Check, Pilot	1
▲▲	14 373342	(000000-	) Kit, Seal, Cartridge	1
▲▽	15 373489	(000000-	) Plug, Cavity	1
▲▲	16 79711	(000000-	) Kit, Seal, Valve, Hyd [Cec]	1
▲	17 373478	(000000-	) Solenoid, Hyd, 12 Vdc, 12 Watt	2
▲	18 21916	(000000-	) Solenoid, 12vdc, Valve, Hyd	2
▲	19 373468	(000000-	) Solenoid, Hyd, 12 Vdc, 42 Watt	1
▲	20 79726	(000000-	) Spring, Valve, Hyd	1
▲	21 79727	(000000-	) Ball, Valve, Hyd	1
▲	22 21920	(000000-	) Plug, Orifice Cp	1
▲	23 22670	(000000-	) Fitting, Hyd, Plug, Om	1
▲	24 373477	(000000-	) Plug, Orifice	1
▲	25 373476	(000000-	) Plug, Orifice	1
▲	26 13902	(000000-	) Fitting, Plug, O-Ring, #2, Valve	17
▲	27 74098	(000000-	) Fitting, Plug, O-Ring, #4	10
▲	28 13907	(000000-	) Fitting, Plug, O-Ring	2
▲▽	29 373487	(000000-	) Plug, Cavity	1
▲▲	30 373342	(000000-	) Kit, Seal, Cartridge	1

**Fig. 28 - PTO Breakdown, 394195 & 394196**

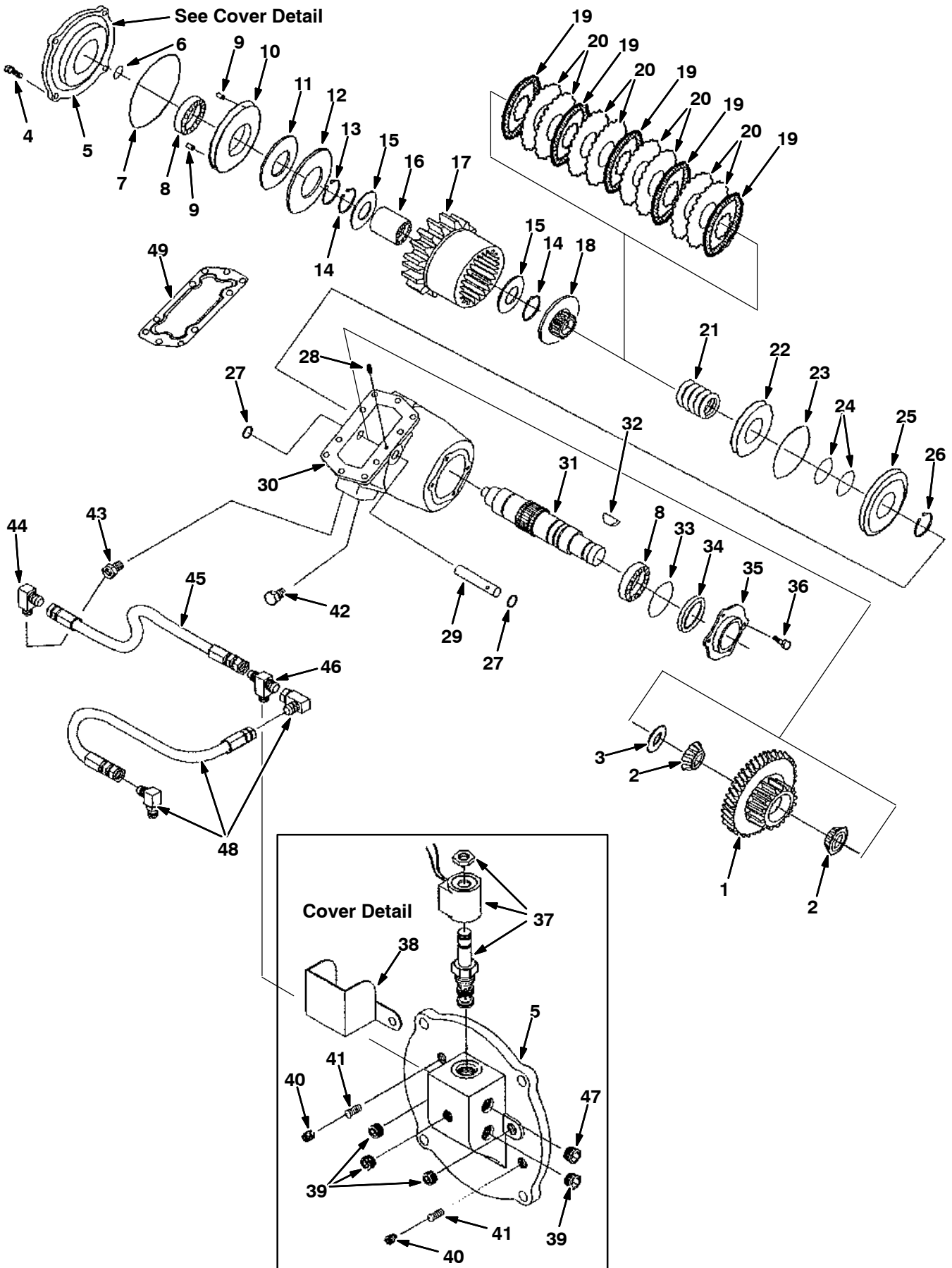
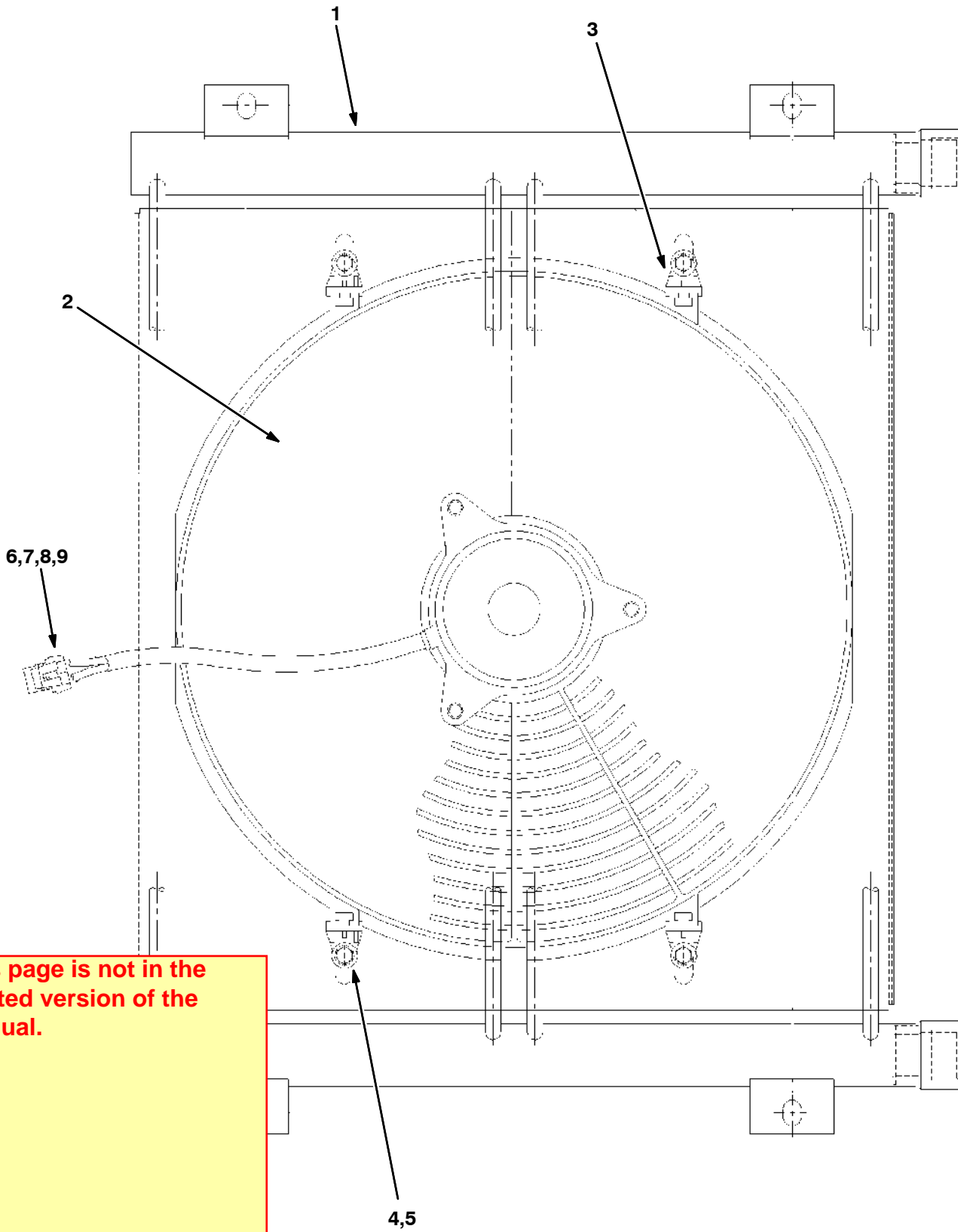


Fig. 28 - PTO Breakdown, 394195 &amp; 394196

Ref.	TENNANT Part No.	Manufacturer Serial Number	Description	Qty.
1	371851	(000000-	) Gear, Input, 10, 50/29	1
2	371791	(000000-	) Bearing, Input	2
3	371792	(000000-	) Shim, .122/.125	1
3	371793	(000000-	) Shim, .117/.120	1
3	371794	(000000-	) Shim, .112/.115	1
4	371795	(000000-	) Screw, Cap	4
5	371796	(000000-	) Cover, Brg, Closed	1
6	371798	(000000-	) Seal, Org	1
7	371799	(000000-	) Seal, Org	1
8	371800	(000000-	) Bearing	2
9	371801	(000000-	) Pin, Roll	2
10	371802	(000000-	) Plate	1
11	371803	(000000-	) Washer, Thrust	1
12	371804	(000000-	) Plate	1
13	371805	(000000-	) Ring, Snap	1
14	371806	(000000-	) Ring, Snap	2
15	371807	(000000-	) Bearing, Thrust	2
16	371808	(000000-	) Bearing	1
17	371809	(000000-	) Gear, Bell, 30tooth 10pd	1
18	371810	(000000-	) Hub, Clutch	1
19	371811	(000000-	) Disc, Friction	5
20	371812	(000000-	) Disc, Spacer	8
21	371813	(000000-	) Spring	1
22	371814	(000000-	) Piston	1
23	371815	(000000-	) Seal, Org	1
24	371816	(000000-	) Seal, Org	2
25	371817	(000000-	) Cap, Piston	1
26	371818	(000000-	) Ring, Snap	1
27	371819	(000000-	) Seal, Org	2
28	371820	(000000-	) Screw, Set	1
29	371821	(000000-	) Shaft, Idler	1
30	371822	(000000-	) Housing, Rh (Used on 394195)	1
30	371823	(000000-	) Housing, Lh (Used on 394196)	1
31	371824	(000000-	) Shaft, Output	1
32	371825	(000000-	) Key, Woodruff	1
33	371826	(000000-	) Seal, Org	1
34	371827	(000000-	) Seal	1
35	371828	(000000-	) Cover, Brg, Open	1
36	371833	(000000-	) Screw, Cap	4
37	371839	(000000-	) Solenoid, 12vdc	1
38	371841	(000000-	) Cover	1
39	371842	(000000-	) Plug, Pipe	4
40	371843	(000000-	) Screw, Set	2
41	371844	(000000-	) Spring	2
42	371845	(000000-	) Plug	1

**Fig. 29 - Hydraulic Cooler Breakdown, 395421**



**This page is not in the printed version of the manual.**



Fig. 29 - Hydraulic Cooler Breakdown, 395421

	Ref.	Tenant Part No.	Manufacturer Serial Number	Description	Qty.
▽		395421	(000000-	) Cooler, Hyd, 50gpm 700btu Of16 19x19x4	1
▲	1	373604	(000000-	) Cooler, Hyd	1
▲▽	2	373605	(000000-	) Fan Assy, Cooler, Hyd	1
▲▲		373606	(000000-	) Blade, Fan, Hyd Cooler	1
▲▲		373607	(000000-	) Shroud, Fan, 16.0 Inch	1
▲	3	373608	(000000-	) Clip, Mtg, 90deg	4
▲	4	01693	(000000-	) Screw, Hex, #10-24 X 1.00, Ss	4
▲	5	19066	(000000-	) Washer, Flat, #10	4
▲	6	78958	(000000-	) Lock, Secondary, Fem 8cav [Mp150 Sealed]	1
▲	7	78952	(000000-	) Lock, Secondary, M/F 2cav [Mp280 Sealed]	1
▲	8	78951	(000000-	) Terminal, Fem, 16/18ga [Mp280 Sealed]	2
▲	9	10917	(000000-	) Seal, Wire, 14/16ga [Wp / Mp280 Sealed]	2

**This page is not in the printed version of the manual.**

# BREAKDOWNS

Fig. 28 - PTO Breakdown, 394195 & 394196

Ref.	TENNANT Part No.	Manufacturer Serial Number	Description	Qty.
43	371846	(000000-	) Fitting, Orifice	1
44	371847	(000000-	) Fitting, E90	1
45	371848	(000000-	) Hose	1
46	371849	(000000-	) Fitting, Tee	1
47	371850	(000000-	) Plug	1
48	371722	(000000-	) Kit, Hose	1
49	371720	(000000-	) Kit, Gasket	1

# SECTION 5

**CONTENTS**

**PAGE**

PART NUMBER TO PAGE NUMBER CROSS REFERENCE LIST ..... 5-2  
PART DESCRIPTION TO PAGE NUMBER CROSS REFERENCE LIST ..... 5-12

# CROSS REFERENCE

## PART NUMBER TO PAGE NUMBER CROSS REFERENCE LIST

Part Number	Page Number	Part Number	Page Number	Part Number	Page Number
00500-15	4-2	06961	2-27, 2-29, 2-85, 2-89,	09164	3-15
00930	2-31		2-95, 3-3, 3-7, 3-13,	09228	2-29, 2-59
01683	2-15, 2-73		3-33	09291	3-11, 3-43
01684	2-7, 2-9, 2-11, 2-13,	06962	2-27	09570	2-97
	2-19, 2-21, 2-43, 2-49,	06968	2-83	09718	2-29
	2-57, 2-63, 3-3, 3-5,	06969	2-29, 2-61, 2-89	09739	2-15, 3-35, 3-37
	3-35, 3-37	06971	2-27, 2-39	09740	2-9, 2-13, 2-15, 2-49,
01685	2-5, 2-9, 2-13, 2-15,	06981	2-29		2-63, 3-5
	2-17, 2-35, 2-49, 2-55,	07154	2-13	09741	2-45, 2-47, 2-51, 3-23
	2-63, 2-71, 2-73, 3-3,	07259	2-27, 2-29, 2-45, 2-47	09745	2-51, 2-71, 3-23
	3-5, 3-7, 3-13, 3-27,	07299	3-17	09770	2-17, 2-71
	3-39, 3-40	07783	2-29, 2-31	09774	2-51, 3-23
01686	2-17, 2-45, 2-47, 2-49,	07785	2-9, 2-13, 2-53, 3-25	1002462	2-9, 2-13
	2-51, 2-53, 2-55, 3-3,	07786	3-7, 3-13	1002590	3-5
	3-5, 3-7, 3-9, 3-11,	07787	2-7, 2-11	1002621	2-101
	3-13, 3-23, 3-25	07790	2-11, 2-13, 2-19	1002768	2-9, 2-13
01696	2-7, 2-9, 2-11, 2-13,	07791	2-35, 2-59	1005062	3-29
	2-19	07792	3-43	1005128	3-29
01704	2-39	08179	2-43, 2-57	1005234	2-45
01714	2-43	08182	3-11, 3-29, 3-31	1005723	2-67, 2-69
01754	2-9	08185	2-39	1005812	2-47
01760	2-19	08202	2-43, 2-51, 3-23	1005840	2-67
01998	3-33	08236	2-31, 2-65	1005877	2-69
02431	3-3, 3-5	08708	2-7, 2-9, 2-11, 2-13,	1005922	2-69
02589	2-53, 2-59, 3-25		2-33, 2-57, 2-99,	1006446	2-9, 2-13
02643	4-4		2-105, 3-35, 3-37,	1006633	2-13
02646	4-3, 4-4		3-44	1007004	2-9
02647	4-3, 4-4	08709	2-5, 2-7, 2-9, 2-11,	1007067	2-25
02850	2-15, 2-59, 2-61,		2-13, 2-19, 2-21, 2-31,	1007105	2-53, 2-59, 2-91, 3-25
	2-102		2-33, 2-35, 2-61, 2-65,	1007652	2-149
03192	2-7, 2-9, 2-11, 2-13,		2-81, 2-83, 2-85, 2-97,	1007715	3-3, 3-5
	2-85, 2-87, 2-99		2-101, 3-15	1007793	2-67
03292B	3-41	08711	2-27, 2-31, 2-39, 2-61,	1008231	3-11
03518	4-4		2-83, 2-89	1008475	2-29
03519	4-4	08712	2-9, 2-13, 2-43, 2-49,	1008487	2-69
04400	2-31		2-59, 2-63, 3-3, 3-5,	1008860	2-53, 3-25
04414	2-51, 3-23		3-41	1009124	2-83, 2-87
05947-2	3-43	08713	2-5, 2-9, 2-13, 2-17,	1009169	2-2
06418	2-29, 2-37, 2-43, 2-45,		2-35, 2-55, 2-57, 2-61,	1009170	2-2
	2-47, 2-59, 2-69, 3-7,		2-63, 3-3, 3-5, 3-7,	1009409	2-25
	3-13		3-13, 3-39, 3-40	1009483	2-49
06548	2-59	08714	2-45, 2-47, 2-49, 2-51,	1009500	2-45, 2-47
06549	2-43, 2-99		2-53, 2-55, 3-5, 3-7,	1009584	2-47
06928	2-15		3-9, 3-13, 3-23, 3-25	1009588	2-45
06929	2-59	08716	2-9, 2-13, 2-63, 2-65,	1009606	2-49
06933	2-99, 2-105		3-3, 3-5	1009875	3-43
06939	2-43	09007	2-49, 2-57, 3-41	1009896	2-49
06942	3-15	09010	2-5, 2-17, 2-35, 2-57,	1009945	2-25
06943	2-7, 2-9, 2-11, 2-13,		2-61, 2-73, 3-3, 3-5,	1009954	3-43
	2-19, 2-33, 2-99,		3-7, 3-13, 3-15, 3-27	1009961	3-43
	2-101, 3-15, 3-35,	09011	2-35, 2-55, 3-7, 3-13,	1010067	3-43
	3-37		3-39, 3-40	1010068	3-43
06945	2-33, 3-44	09023	2-35	1010069	2-25
06955	2-33	09028	2-45, 2-47, 2-49, 3-3,	1010070	3-43
06956	2-7, 2-9, 2-11, 2-13		3-5, 3-9, 3-11	1010071	3-43
06957	2-65	09029	2-23, 2-25, 2-45, 2-47,	1010073	3-43
06960	2-19		2-51, 3-23		
		09146	2-9, 2-13		

# CROSS REFERENCE

Part Number	Page Number	Part Number	Page Number	Part Number	Page Number
1010091	2-25	17414	2-101	32490	2-7, 2-9, 2-11, 2-13, 2-19, 2-33, 2-57, 2-65, 2-101, 3-15, 3-35, 3-37, 3-41, 3-44
1010092	2-25	17980	2-91, 2-93	32491	2-5, 2-7, 2-9, 2-11, 2-13, 2-21, 2-23, 2-25, 2-27, 2-29, 2-33, 2-35, 2-41, 2-57, 2-59, 2-61, 2-65, 2-71, 2-75, 2-81, 2-83, 2-85, 2-87, 2-89, 2-91, 2-93, 2-97, 2-101, 3-15, 3-33, 3-43
1010093	2-25	19064	2-9, 2-13, 2-15, 2-29, 2-59, 2-61	32492	2-5, 2-9, 2-19, 2-27, 2-39, 2-43, 2-85, 2-87, 2-89, 2-95, 2-97, 2-99, 3-3, 3-7, 3-13, 3-17, 3-20, 3-21, 3-29, 3-31, 3-33
1010164	2-25	19065	2-65	32493	2-5, 2-53, 2-75, 2-83, 3-3, 3-25, 3-29, 3-31
1010196	2-71	19066	2-43, 2-99, 2-102, 2-105, 3-35, 3-37	32495	2-5, 2-31
1010208	2-59	19757	2-97	32521	2-19
1010216	2-59	21905	4-27, 4-31, 4-35, 4-39, 4-43	32716	3-7, 3-13
1010231	3-43	21906	4-43	32731	2-53, 2-97, 3-25
1010293	2-25	21907	4-11, 4-15, 4-17, 4-19, 4-21, 4-23, 4-27, 4-31, 4-33, 4-35, 4-37, 4-39, 4-43	32969	2-51, 3-23
1010295	2-25	21916	4-11, 4-15, 4-17, 4-19, 4-21, 4-23, 4-27, 4-31, 4-33, 4-35, 4-37, 4-39, 4-43, 4-49	32983	3-17
1010296	2-25	21920	4-13, 4-17, 4-21, 4-25, 4-29, 4-33, 4-37, 4-41, 4-45, 4-49	32988	2-97
1010398	2-59	21951	4-3	330710	3-46
1010511	3-23	21953	4-3	330760	3-46
1010512	2-51	222210	3-29, 3-31	330761	3-46
1010576	2-59	222290	2-105	330765	3-46
1010853	2-27	222516	3-7, 3-13	33342	2-31, 2-43
1011377	2-29	22297	2-23, 2-25, 2-71	33580	4-7
10552	2-29, 2-75	223047	2-99	33924	3-11
10632-1	2-73	223470	2-65	33925	2-31
10632-12	2-43	223497	2-71	34172	4-2
10632-16	2-15	22670	4-45, 4-49	34178	4-7
10632-3	2-99	22674	4-8	34179	4-7
10632-4	2-61, 2-63	22699	4-11, 4-23, 4-27, 4-39, 4-43, 4-49	34359	3-11
11048	2-53, 2-67, 3-25	23446	2-9, 2-13	34366	2-51
11531	3-43	24196	2-15, 3-35, 3-37	34390	2-91, 2-95
11608	2-102	24199	2-73	34804	2-99
11635	2-53, 2-59, 2-91, 3-25	24265	3-41	35033	2-83
12267	3-7, 3-13	24672	2-21	35846	2-39
12271	2-101	24835	2-31	35886	2-51, 3-23
12317	2-49, 2-51, 2-55, 3-5, 3-7, 3-9, 3-13, 3-23	24976	2-101	35904	2-51, 2-53, 3-23, 3-25
12367	2-101	25015	2-27	360074	2-2, 2-43
13015	3-17	25312	3-44	360429	2-9, 2-13
13773	2-93	27988	2-51, 2-83, 3-23	360467	3-43
13902	4-13, 4-17, 4-21, 4-25, 4-29, 4-33, 4-37, 4-41, 4-45, 4-47, 4-49	28835	4-2	361339	2-59, 3-15
13904	4-13, 4-17, 4-21, 4-25, 4-29, 4-33, 4-37, 4-41, 4-45	29558	3-11	36190	2-31
13907	4-13, 4-17, 4-21, 4-25, 4-29, 4-33, 4-37, 4-41, 4-45, 4-49	29584	2-57	36328	2-29, 2-51, 3-23
14432	2-71, 3-43	30013	2-33	363503	2-11, 2-13, 2-101
14595-1	2-43	311921	3-43	364597	2-105
14834	2-81	31476	4-15, 4-19, 4-23, 4-31, 4-35, 4-39, 4-47	364889	2-57
14877	2-71	31613	2-2, 2-81	365005	2-97
15331	2-51, 2-61, 3-23	31775	2-73	365006	2-95
15675	2-71	32483	2-19, 2-29, 2-99, 2-105, 3-15	367573	3-7, 3-13
15678	2-43	32485	2-23, 2-45, 2-47, 2-83		
15840	2-105	32486	2-19, 2-27, 2-29, 2-39, 2-51, 2-75, 2-89, 3-23		
16081	2-89				
16695	4-2				
16735	2-23, 2-25, 2-41				
16864	2-81				
16879	2-89				
16931	2-19, 2-23, 2-25, 2-29, 2-43, 2-61, 2-65, 2-71, 2-87, 2-89, 2-91, 3-15				

# CROSS REFERENCE

Part Number	Page Number	Part Number	Page Number	Part Number	Page Number
367679	2-61	371809	4-51	373463	4-9
367946	3-37	371810	4-51	373465	4-43
367957	3-37	371811	4-51	373466	4-43
367958	3-37	371812	4-51	373467	4-43
368176	2-5	371813	4-51	373468	4-11, 4-15, 4-19, 4-23, 4-27, 4-31, 4-35, 4-39, 4-43, 4-49
368336	2-51, 3-23	371814	4-51	373469	4-43
368412	2-29	371815	4-51	373470	4-11, 4-15, 4-19, 4-23, 4-27, 4-31, 4-35, 4-39, 4-45, 4-49
370181	2-9	371816	4-51	373472	4-11, 4-15, 4-19, 4-23, 4-27, 4-31, 4-35, 4-39, 4-43
371678	3-45	371817	4-51	373473	4-11, 4-15, 4-19, 4-23
371679	3-45	371818	4-51	373475	4-11, 4-15, 4-19, 4-23, 4-27, 4-31, 4-35, 4-39
371680	3-45	371819	4-51	373476	4-49
371681	3-45	371820	4-51	373477	4-49
371682	3-45	371821	4-51	373478	4-11, 4-15, 4-19, 4-23, 4-27, 4-31, 4-35, 4-39, 4-49
371683	3-45	371822	4-51	373479	4-11, 4-15, 4-19, 4-23, 4-27, 4-31, 4-35, 4-39, 4-49
371684	3-45	371823	4-51	373480	4-43
371685	3-45	371824	4-51	373481	4-45
371720	2-75, 4-52	371825	4-51	373482	4-45
371721	2-75	371826	4-51	373483	4-49
371722	2-75, 4-52	371827	4-51	373484	4-49
371723	2-151	371828	4-51	373487	4-49
371724	2-151	371833	4-51	373488	4-13, 4-25, 4-29, 4-41
371725	2-151	371839	4-51	373489	4-11, 4-15, 4-27, 4-31, 4-49
371726	2-151	371841	4-51	373490	4-11, 4-23, 4-27, 4-39
371727	2-151	371842	4-51	373491	4-43
371728	2-151	371843	4-51	373497	4-47
371729	2-149	371844	4-51	373498	4-47
371730	2-149	371845	4-51	373553	4-11, 4-15, 4-19, 4-23, 4-27, 4-31, 4-35, 4-39
371731	2-149	371846	4-52	373558	4-47
371732	2-149	371847	4-52	373559	4-47
371733	2-149	371848	4-52	373587	4-49
371734	2-149	371849	4-52	373588	4-49
371735	2-149	371850	4-52	373589	4-11, 4-15, 4-19, 4-23, 4-27, 4-31, 4-35, 4-39, 4-47, 4-49
371736	2-99	371851	4-51	373590	4-11, 4-13, 4-15, 4-17, 4-19, 4-21, 4-23, 4-25, 4-27, 4-29, 4-31, 4-33, 4-35, 4-37, 4-39, 4-41, 4-49
371737	2-99	373201	4-5	373591	4-13, 4-25, 4-29, 4-41
371738	2-151	373207	4-5	373592	4-11, 4-15, 4-23, 4-27, 4-31, 4-39
371739	2-151	373208	4-5	373593	4-11, 4-15, 4-19, 4-23, 4-27, 4-31, 4-35, 4-39
371740	2-151	373276	4-5	373594	4-11, 4-15, 4-19, 4-23, 4-27, 4-31, 4-35, 4-39, 4-43
371741	2-151	373342	4-11, 4-15, 4-19, 4-23, 4-27, 4-31, 4-35, 4-39, 4-45, 4-49		
371742	2-2				
371743	2-2	373435	4-7		
371744	2-2	373436	4-7		
371745	2-2	373437	4-7		
371746	2-2	373438	4-7		
371791	4-51	373439	4-3		
371792	4-51	373440	4-3		
371793	4-51	373441	4-3, 4-4		
371794	4-51	373442	4-3		
371795	4-51	373443	4-4		
371796	4-51	373444	4-4		
371798	4-51	373445	4-4		
371799	4-51	373446	4-5		
371800	4-51	373447	4-5		
371801	4-51	373448	4-5		
371802	4-51	373449	4-5		
371803	4-51	373450	2-85		
371804	4-51	373459	4-9		
371805	4-51	373460	4-9		
371806	4-51	373461	4-8		
371807	4-51	373462	4-8		
371808	4-51				

# CROSS REFERENCE

Part Number	Page Number	Part Number	Page Number	Part Number	Page Number
373595	4-11, 4-15, 4-19, 4-23, 4-27, 4-31, 4-35, 4-39, 4-43	394276	2-2, 2-45, 2-47	394441	2-91
373596	4-47	394279	2-2	394442	2-51, 3-23
373599	4-47	394280	2-45, 2-47	394443	2-53, 3-25
37555	4-2	394282	3-21	394444	2-53, 3-25
37766	4-7	394283	3-21	394445	2-53, 3-25
379217	3-11	394298	3-20	394446	2-53, 3-25
379792	2-35	394300	2-71	394452	2-53, 3-25
379829	2-41	394302	2-45, 2-47	394458	2-5
381859	2-89	394304	3-20	394459	3-25
381862	2-91	394305	3-20	394461	2-53, 3-25
381868	2-61	394307	2-45, 2-47, 3-21	394465	2-53, 3-25
38315	4-3	394308	3-21	394466	2-51
38490	4-3	394309	3-21	394470	2-53, 3-25
386711	2-51, 2-83, 3-23	394317	2-45, 2-47	394527	2-23, 2-25
387281	2-95	394326	2-5, 2-51, 2-75, 3-3, 3-23, 3-25	394528	2-23, 2-25
387340	2-71	394327	2-29, 2-39	394554	2-2
38968	4-7	394329	2-39	394558	2-33
39005	3-7, 3-11, 3-13	394330	2-39	394566	2-23, 2-25
39210	2-75	394335	2-39	394567	2-23, 2-25
39277	2-7, 2-11, 2-21, 2-29, 2-33, 2-57, 2-59, 2-61, 2-81, 2-83, 2-85, 2-93, 2-97, 3-33	394336	2-39	394575	2-2, 2-27
39278	2-19, 2-27, 2-41	394347	2-39	394578	2-23
39279	2-19, 2-61	394348	2-39	394580	2-95
39283	2-19, 2-39, 2-43, 2-85, 2-97, 3-29, 3-31	394349	2-5, 2-51, 2-75, 3-3, 3-23, 3-25	394581	2-95
39284	2-5, 3-29, 3-31	394356	2-75	394609	2-65
39311	2-23, 2-25, 2-41, 2-61	394358	2-39	394614	2-65
39313	2-5, 2-31	394368	2-49	394615	2-65
393414	2-73	394369	2-49	394628	2-51, 3-23
39349	2-29, 2-57, 3-17	394373	2-49	394629	2-51, 3-23
39350	2-29, 2-41	394374	2-2, 2-49	394633	2-53
394051	2-61	394377	2-2, 2-35	394641	2-53
394055	2-43	394382	2-2, 2-35	394642	2-53, 3-25
394126	2-45, 2-47	394383	2-35	394643	2-51, 3-23
394171	2-5	394384	2-35	394649	2-3
394175	2-5	394385	2-49	394652	3-15
394176	2-5	394388	2-49	394653	3-15
394177	2-5	394390	2-49	394656	3-15
394178	2-5	394391	2-49	394657	3-15
394195	2-75	394393	2-2, 2-35	394665	2-65
394196	2-75	394395	2-35	394666	2-65
394200	2-43	394396	2-35	394674	2-61
394204	2-45	394397	2-35	394681	2-53, 2-91, 3-25
394217	2-45	394398	2-35	394688	2-65
394219	2-43	394399	2-2, 2-35	394720	2-71
394232	2-39	394407	2-97	394727	2-71
394233	2-2, 2-39	394408	2-85, 4-9	394728	2-71
394234	2-2, 2-39	394417	2-83	394750	2-29
394235	2-43	394418	2-83	394755	2-23, 2-25
394236	2-47	394420	2-83	394756	2-33
394237	2-45	394421	2-85	394757	2-35
394240	3-20	394422	2-97	394758	2-35
394260	2-47	394423	2-89, 4-49	394766	2-23, 2-25
394262	2-45	394427	2-61	394772	2-35
394273	2-45, 2-47	394428	2-85	394779	2-2
394274	2-45, 2-47	394431	3-11	394780	2-2
		394432	2-43, 4-7	394791	2-73
		394433	2-51, 3-23, 4-3	394798	2-7, 2-9, 2-11, 2-13
		394434	2-27, 4-4	394814	2-19
		394435	2-95	394815	2-7, 2-9
		394436	2-97, 4-43, 4-45	394816	2-11, 2-13
		394437	3-33, 4-47	394817	2-19

# CROSS REFERENCE

Part Number	Page Number	Part Number	Page Number	Part Number	Page Number
394818	2-19	395040	2-75	395298	3-5
394829	2-55	395043	2-75	395299	3-3
394831	2-65	395047	2-75	395328	2-57
394841	2-5	395051	2-35	395329	2-55
394842	2-5	395052	2-35	395335	2-65
394845	2-55	395053	2-35	395342	2-55
394849	2-55	395055	2-35	395346	3-11
394851	2-69	395059	2-35	395348	3-5
394852	2-69	395061	2-31	395349	3-5
394853	2-67	395063	2-31	395358	3-5
394854	2-67	395066	2-31	395361	3-3
394855	2-69	395068	2-29	395362	3-3
394856	2-27	395073	2-2, 2-35	395365	2-57
394857	2-27	395074	2-2, 2-35	395366	2-57
394866	2-29	395076	2-39	395377	3-3
394867	2-29	395084	2-41	395383	2-101
394869	2-67	395085	2-45, 2-47	395387	2-53, 3-25
394875	2-23	395086	2-47	395389	2-53, 3-25
394910	2-147	395087	2-45	395401	2-85
394911	2-147	395090	2-45, 2-47	395412	2-5
394913	2-147	395091	2-49	395414	2-21
394914	2-15	395092	2-49	395416	2-101
394915	3-35, 3-37	395098	2-49	395418	3-13
394916	2-105	395099	2-49	395419	3-7
394917	2-101	395100	2-2	395421	2-85
394919	2-105	395101	2-2	395430	3-3, 3-5
394921	2-147	395106	2-49	395431	3-3, 3-5
394922	2-147	395113	2-41	395438	3-13
394924	3-39, 3-40	395118	2-39	395440	3-7
394925	3-35, 3-37	395119	2-7, 2-9, 2-11, 2-13, 2-49, 2-71	395443	3-13
394926	2-101			395445	3-7
394929	2-105	395126	2-43	395448	2-101
394931	2-15	395131	2-43	395449	2-101
394932	3-37	395132	2-43	395452	2-101
394935	2-147	395142	2-17	395453	2-101
394936	2-147	395143	2-17	395454	2-101
394948	2-65	395160	2-57	395455	2-101
394957	2-57	395164	2-57	395456	2-21
394963	2-7, 2-9	395191	2-57	395457	2-101
394967	3-25	395192	2-59	395458	2-105
394972	2-7, 2-9	395205	2-29	395459	2-147
394973	2-7, 2-9	395212	2-29	395460	2-105
394977	2-19	395213	2-29	395461	2-101
394981	2-73, 3-27	395223	2-29	395465	3-7, 3-13
394982	2-73, 3-27	395226	2-29	395466	3-7, 3-13
394983	2-73, 3-27	395236	2-29	395467	3-3
394985	2-73, 3-27	395237	2-29	395468	3-3
394990	2-71	395243	2-29	395469	3-3, 3-7
394991	3-43	395249	2-27	395476	2-73
394992	2-23, 2-71	395265	2-19	395498	3-15
394994	2-23, 2-25	395268	2-19	395504	2-3
394998	2-71	395271	2-19	395505	2-3
394999	2-71	395274	2-11, 2-13	395509	2-51, 3-23, 3-29, 3-31
395000	3-15	395277	2-7, 2-9	395512	2-73
395001	2-55	395280	2-7	395513	2-73, 3-27
395005	2-19	395283	2-11	395514	2-73
395012	3-23	395289	2-7, 2-9, 2-11, 2-13, 2-19	395517	2-2, 2-73
395014	3-25			395518	2-53, 3-25
395019	3-29, 3-31	395295	3-15	395519	2-5
395027	2-81	395296	3-15	395522	3-13



# CROSS REFERENCE

Part Number	Page Number	Part Number	Page Number	Part Number	Page Number
395524	3-7	395726	2-67, 2-69	395917	3-15
395527	3-7, 3-13	395727	2-69	395923	3-15
395528	3-7, 3-13	395728	2-69	395924	3-15
395529	2-101	395729	2-67	395928	3-15
395530	2-101	395733	2-2, 2-35	395929	3-15
395534	2-49	395734	2-2, 2-35	395931	3-9
395535	2-2, 2-49	395735	2-35	395934	2-73, 3-27
395536	2-49	395737	2-35	395937	3-7, 3-13
395539	2-15	395744	2-152	395938	3-5
395540	2-15	395758	2-152	395939	3-5, 3-7
395566	2-101, 2-105	395760	3-9	395940	2-81
395582	3-35, 3-37	395761	3-9	395948	2-83
395589	2-61	395762	3-9	395952	2-57
395590	2-105	395763	3-9	395954	2-57
395594	3-7, 3-13	395764	2-101	395959	2-57
395595	2-7, 2-11	395765	2-99	395962	2-83
395601	2-59	395770	2-81	395963	2-83
395604	3-15	395771	2-85	395964	2-83
395610	2-65	395772	2-83	395966	2-85
395612	2-83, 4-5	395773	2-85	395967	2-81, 2-83
395613	2-43	395776	2-85	395973	2-97
395619	3-33	395778	2-61	395974	2-89, 2-95
395620	2-89	395779	2-71	395975	2-97
395627	2-35	395780	2-71	395977	2-81, 2-85
395628	2-35	395782	2-71	395981	2-85
395632	2-71	395790	2-83	395986	2-83, 2-87
395634	2-57	395791	2-87	395987	2-97
395635	2-57	395792	2-87	395988	2-95
395637	2-2, 2-33	395793	2-87	395989	2-95
395638	2-2, 2-33	395797	2-87	395990	3-5
395639	2-23, 2-25	395798	2-87	395994	2-17
395640	2-2, 2-33	395803	2-97	395995	2-17
395641	2-57	395804	2-97	395996	3-35
395642	2-57	395806	2-2, 2-49	395997	3-35
395655	2-21, 2-81	395811	2-39	395998	2-99
395658	2-5	395813	2-39	395999	2-81
395660	3-17	395814	2-47	396034	3-44
395668	2-91	395815	2-45	396062	3-46
395669	2-59	395816	2-49	396130	3-11
395670	2-59	395825	2-45, 2-47, 3-20	396133	3-11
395678	3-9	395826	2-43	396142	3-11
395684	2-33	395827	2-39	396143	3-11
395686	2-2, 2-33	395833	2-102	396144	3-11
395695	3-35, 3-37	395834	2-102	396147	3-11
395700	2-101	395835	2-102	396150	3-11
395703	2-29	395836	2-49	396157	3-11
395704	2-29	395837	2-49	396160	3-11
395707	2-29	395839	2-47	396164	3-11
395711	2-2, 2-29	395841	2-45	396201	2-83
395714	2-69	395885	3-15	396202	2-81
395716	2-67, 2-69	395887	2-65	396203	2-83
395717	2-69	395904	2-73, 3-27	396204	2-85
395718	2-67, 2-69	395907	2-89	396205	2-51, 3-23
395719	2-67, 2-69	395908	2-89	396206	2-53
395720	2-69	395909	2-89	396207	2-97
395721	2-67, 2-69	395910	2-89	396208	2-97
395722	2-67, 2-69	395911	2-89	396209	2-81, 2-95
395723	2-67	395912	2-89	396210	2-97
395724	2-67	395913	2-89	396212	2-95
395725	2-69	395914	3-9	396213	2-97

# CROSS REFERENCE

Part Number	Page Number	Part Number	Page Number	Part Number	Page Number
396214	2-95	396331	2-19	396482	2-33
396215	2-95	396334	3-35	396497	2-27
396216	2-97	396335	2-85	396501	2-41
396217	2-91	396353	2-61	396504	2-41
396219	2-91	396360	2-71	396506	2-41
396221	2-53, 2-95, 3-25	396361	3-13	396507	2-73
396223	2-51, 3-23	396365	2-23, 2-25	396508	2-73
396224	2-97	396367	2-27	396509	2-73
396225	2-97	396370	2-23	39651	2-21
396226	2-81	396372	2-37	396510	2-73
396227	2-97	396378	2-29	396511	2-73
396228	2-83	396379	2-29	396512	2-73, 3-27
396230	2-83	396381	2-37	396513	2-73
396234	3-33	396382	2-37	396514	3-27
396235	2-97	396383	2-37	396515	2-73
396237	2-95	396384	2-37	396516	2-73
396238	2-53	396385	2-37	396530	2-105
396239	2-85	396391	3-13	396531	2-105
396240	3-39, 3-40	396394	2-101	396532	2-81, 2-97
396241	2-99	396397	2-2	396540	3-41
396244	2-101	396399	2-87	396542	3-41
396247	3-25	396400	2-95	396572	2-29
396249	3-25	396402	2-19	396573	2-29
396250	3-11	396403	2-61, 4-8	396580	2-21
396251	2-61	396404	2-81	396584	2-57
396254	2-93	396406	2-61	396588	2-59
396255	2-93	396407	2-61	396589	2-59
396257	2-83	396414	2-7, 2-11	396592	2-59
396259	2-89	396415	2-7, 2-9, 2-11, 2-13	396596	2-67
396260	2-93	396416	2-7, 2-9, 2-11, 2-13	396602	2-71
396261	2-83	396417	2-61	396603	2-147
396262	2-87	396419	2-61	396604	3-31
396263	2-87	396426	2-85	396605	3-31
396264	2-87	396427	2-85	396606	3-41
396265	2-87	396428	3-5	396611	3-15
396266	2-93	396429	2-71	396612	2-152
396267	2-87	396430	3-35, 3-37	396620	2-39
396272	2-87	396431	2-15, 3-35, 3-37	396630	2-63
396274	2-87	396432	2-91	396631	2-63
396278	2-89	396435	2-85	396633	2-63
396279	2-83	396436	2-85	396652	2-55
396284	2-43	396437	2-91	396653	2-55
396285	2-89	396438	2-61	396654	2-19
396286	2-89	396439	2-91	396655	2-152
396287	2-89	396451	2-15	396664	2-19
396288	2-89	396452	2-15	396672	2-63
396289	2-85	396453	2-15	396673	2-63
396294	2-101	396454	2-15	396683	2-43
396295	2-101	396455	2-15	396685	3-17
396297	2-3	396456	3-35	396686	3-17
396299	3-7, 3-13	396457	2-15	396687	2-59
396300	2-101	396458	2-15	396690	3-33
396301	2-89	396461	2-15	396700	2-17
396302	2-89	396463	3-39, 3-40	396701	2-17
396303	2-73, 3-27	396473	3-29, 3-31	396714	2-17
396306	2-5	396477	2-71	396715	2-17
396307	3-27	396478	2-71	396718	4-13, 4-17, 4-21, 4-25, 4-29, 4-33, 4-37, 4-41
396308	2-73, 3-27	396479	2-71	396721	2-43
396309	2-101	396480	2-71	396724	2-147
396328	2-11, 2-13	396481	2-101		

# CROSS REFERENCE

Part Number	Page Number	Part Number	Page Number	Part Number	Page Number
396725	2-101	40755	2-91	51727	2-43
396726	2-101	41178	2-31, 2-49	51782	2-81
396727	2-81	41186	2-19, 2-29	52402	2-81
396729	2-21	41342	2-81	52405	4-7
396731	3-25	41345	3-31	53077	2-85
396733	2-53	41346	3-29	53466	2-81
396737	2-51, 3-23	41348	2-75	53468	2-81
396739	2-39	41430	2-5, 2-17, 2-19, 2-27, 2-85, 2-87, 2-99, 3-20, 3-21, 3-29, 3-31, 3-43	54051	2-43
396741	2-31	41517	2-75	54222	2-41
396742	2-45	41619	2-23, 2-25, 2-43, 2-45, 2-47, 2-71	54333	2-73, 3-27
396744	2-47	41665	2-15	54395	2-85
396746	2-9, 2-13	41732	2-57	55038	3-41
396748	2-9, 2-13	42120-4	2-27	55094	2-41
396749	2-9, 2-13	42173-1	2-61	55248	3-35, 3-37
396752	2-27	42213	2-91, 2-93	55586	2-91, 2-95, 2-97, 3-33
396754	2-27	42215	3-25, 3-33	55624	2-27
396756	2-23, 2-25	42223	2-93, 2-97	55685	2-61, 2-95
396770	2-63	42226	2-81, 2-93	55845	2-61, 3-41
396773	2-9, 2-13	42227	2-97	55973	2-15
396778	2-51, 3-23	42260	2-61, 2-87, 2-89, 2-95, 2-97	56186	2-99, 2-105, 2-147
396779	2-95	43454	2-55	56690	2-87, 2-91, 2-95, 2-97
396781	2-63	43955	2-19	56692	2-83
396786	2-102	44238-10	3-11	56820	2-51, 2-53, 2-81, 2-83, 2-87, 2-91, 2-95, 2-97, 3-25, 3-33
396787	2-69	44238-5	2-43	56821	2-51, 3-23
396788	2-67	44868	2-89, 2-91, 2-95	57075	2-97
396789	2-23, 2-25	44869	2-83, 2-95, 2-97	57370	4-3, 4-4
396795	2-31	44961	2-101, 3-35, 3-37	57373	4-3, 4-4
396810	2-45, 2-47	45482	2-93	57374	4-3, 4-4
396820	2-63	45622	4-7	57375	4-3, 4-4
396821	2-63	45623	4-7	57479	2-81
396823	2-27	45628	4-2	57936	2-51, 3-23
396824	2-75	45779	2-15	57977	3-29, 3-31
396828	2-25	45780	2-15	57988	2-95
396833	2-81	46480	2-81	58228	2-53, 3-25
396849	2-27	46481	2-61	58230	3-11
396907	2-57	46482	2-85	58494	2-19
396908	2-57	46657	3-7, 3-13	58677	2-65
396909	2-27	47178-18	2-71	59577	3-23
396910	2-27	47498	2-83	59582	3-29, 3-31
396914	2-27	47504	2-51, 2-53, 3-23	60090	2-83
396916	2-25	47508	2-51, 3-23, 3-33	607175	2-101
396923	2-95, 4-11, 4-13	47513	2-95	61630	3-43
396924	2-95, 4-15, 4-17	47638	3-33	61866	3-35, 3-37
396925	2-95, 4-19, 4-21	47801	2-67, 2-69	62595-15	2-19
396926	2-95, 4-23, 4-25	48415	2-51, 3-23	63147	3-11
396927	2-95, 4-27, 4-29	48834	4-11, 4-15, 4-19, 4-23, 4-27, 4-31, 4-35, 4-39, 4-47	63244-1	2-73
396928	2-95, 4-31, 4-33	48988	2-53, 3-25	63810	2-71
396929	2-95, 4-35, 4-37	49694	2-21	64154	3-11
396930	2-95, 4-39, 4-41	49933	2-93	64535	2-19
396931	2-147	49943	2-61	64543	2-11, 2-13
397194	2-25	50960	2-97, 3-33	64545	2-11, 2-13
39811	2-43	51417	4-3, 4-4	64595	2-19
398501	2-101, 3-39, 3-40	51462	2-39	65210	2-95
398508	3-29, 3-31	51534	2-39	65581	2-73, 3-27
39912	2-53, 3-25			65665	2-101
39923	2-61			65869-5	2-2
40362	2-81, 2-85			65870-5	2-2
40607	2-61			66612	2-39
40678-1	2-87, 2-93				
40678	3-35, 3-37				

# CROSS REFERENCE

Part Number	Page Number	Part Number	Page Number	Part Number	Page Number
67832	2-61	761742	2-37	78775	2-83
68441	2-75	761783	2-37	78939	2-57
69225	2-57, 2-61	762035	2-89, 4-2	79447	2-91, 2-95, 3-33
69234	2-75, 2-83, 2-85	762083	4-3	79508-1	3-41
69784	2-73	762234	2-73, 3-27	79515	3-41
69972	2-29	762516	2-105, 2-147	79710	4-45
69998	3-7, 3-13	762591	2-29	79711	4-8, 4-11, 4-13, 4-15, 4-17, 4-19, 4-21, 4-23, 4-25, 4-27, 4-29, 4-31, 4-33, 4-35, 4-37, 4-39, 4-41, 4-43, 4-45, 4-49
70072	2-81	763061	2-7, 2-11	79716	4-43, 4-49
70628	2-11, 2-13	763066	2-29, 2-31	79717	4-11, 4-15, 4-19, 4-23, 4-27, 4-31, 4-35, 4-39, 4-43
70650	2-65	763067	2-29	79723	4-45
71551	2-91	763075	2-65	79726	4-13, 4-17, 4-21, 4-25, 4-29, 4-33, 4-37, 4-41, 4-45, 4-47, 4-49
71747	2-97	763113	2-51, 2-53, 2-87, 2-97, 3-23, 3-25, 3-29, 3-31	79727	4-13, 4-17, 4-21, 4-25, 4-29, 4-33, 4-37, 4-41, 4-45, 4-47, 4-49
71750	2-97, 3-33	763114	2-71	79728	4-11, 4-15, 4-17, 4-19, 4-21, 4-23, 4-27, 4-31, 4-33, 4-35, 4-37, 4-39, 4-43, 4-49
71753	2-91	763131	2-43	79729	4-3, 4-4
71755	2-91	763133	2-43	79731	4-27, 4-31, 4-35, 4-39, 4-43
72763	3-7, 3-13	763134	2-43	79740	4-11, 4-15, 4-17, 4-19, 4-21, 4-23, 4-27, 4-31, 4-33, 4-35, 4-37, 4-39, 4-43, 4-49
73109	2-81	76315	2-83	79779	4-9, 4-43, 4-45
73735	3-43	763244	2-65	79828	4-7
74040	2-19	763278	2-65	80448	2-59
74092	4-2	763383	2-31	81697	2-63
74093	4-2	763384	2-31	82733	2-61
74094	4-2	763504	4-2	82739	2-61
74098	4-3, 4-4, 4-7, 4-13, 4-17, 4-21, 4-25, 4-29, 4-33, 4-37, 4-41, 4-45, 4-47, 4-49	763506	4-2	82820	3-23
74099	4-2, 4-11, 4-23, 4-27, 4-39, 4-43, 4-45	763507	4-2	82918	2-51, 3-23
74122	4-7	763508	4-2	86330	2-63
74123	4-7	763509	4-2	86415	3-43
74137	4-7	76523	2-39	86610	2-5
74165	4-7	76570	2-33, 2-57, 2-65, 2-81, 2-101	87308	2-31
74166	4-7	765805	2-27	87515	2-59
74167	4-7	765806	2-27	87948	2-15
74168	4-7	765807	2-27	9000062	2-101
74171	4-7	765810	2-31	9000108	2-49
74191	4-2	765816	2-27	9000113	3-43
74249	4-7	765817	2-27	9000117	3-43
74455	2-39, 2-41, 2-53, 2-61, 3-7, 3-13, 3-25, 3-39, 3-40	765818	2-27	9000118	3-43
75428	2-63	76735	2-37	9000119	2-2
75465	2-61	76736	3-39, 3-40	9000129	3-43
760543	2-65	76782	2-43	9000181	3-39
760660	3-41	768014	2-31	9000182	3-35
760697	2-27	768318	3-18	9000183	3-37
76099	2-29, 2-59, 2-75	76837	2-91, 2-95	9000184	3-40
761108	2-2, 2-27	768598	3-37	9000189	2-101
761111	2-2, 2-27	768604	3-35, 3-37	9000190	2-101
761128	2-2, 2-43	768605	3-37		
761130	2-43	76978	2-41		
761131	2-2, 2-43	77003	2-97		
761237	2-5	770547	3-19		
761252	2-27	770548	3-19		
761253	2-27	77097	2-61, 2-91, 2-95, 2-97, 3-11, 3-29, 3-31		
761254	2-27	77098	2-53, 2-61, 2-97, 3-25		
761266	2-27	77347	2-45, 2-47, 2-49, 2-53, 3-25		
761286	2-27	77375	2-15		
761289	2-2, 2-27	77575	2-95		
761428	2-51, 3-23	78552	2-7, 2-11		
		78553	2-101		
		78732	2-15		

<b>Part Number</b>	<b>Page Number</b>
9000191 . . . . .	2-102
9000192 . . . . .	2-59
9000208 . . . . .	2-9
9000209 . . . . .	2-19
9000228 . . . . .	2-19
9000229 . . . . .	2-19
9000230 . . . . .	2-57
9000231 . . . . .	2-5

**PART DESCRIPTION TO PAGE NUMBER CROSS REFERENCE LIST**

**Numbers**

- 2001 GMC F-Series Dom. Portfolio (7.2L)□3 manual package 3-45
- 2001 GMC T Series Operation Manual 3-45
- 2001 T-Series GMC Truck Service Manual (2 volume set) 3-45
- 2002 T-Series GMC Truck Service Manual (2 volume set) 3-45

**A**

- Alarm, Audio, 04-16vdc 80dba 2-105
- Alarm, Backup, 12-24vdc, 82-107dba 2-15
- Allison Transmission Mechanics Tips 3-45
- Allison Transmission Operator's Manual 3-45
- Angle Wldt, Sppt 2-65
- Angle Wldt, Wedge 2-35
- Angle, Mtg, Condenser 2-149
- Angle, Mtg, Lh 2-5
- Angle, Mtg, Rh 2-5
- Angle, Mtg, Seat Ped 2-151
- Angle, Retainer 2-59
- Angle, Skirt 2-35
- Angle, Sppt 2-17
- Arm Wldt, Lh W/ Label 2-47
- Arm Wldt, Lift, Brush, Lh 2-39
- Arm Wldt, Lift, Brush, Rh 2-39
- Arm Wldt, Lift, Shield, Lh 2-39
- Arm Wldt, Lift, Shield, Rh 2-39
- Arm Wldt, Lift, Skirt, Cntr 3-11
- Arm Wldt, Lift, Skirt, Front 3-11
- Arm Wldt, Lift 2-29, 2-53, 3-25
- Arm Wldt, Lower, Rh W/ Label 2-45
- Arm Wldt, Shield, Inner, Lh 2-47
- Arm Wldt, Shield, Inner, Rh 2-45
- Arm Wldt, Shield, Lift, Outer, Lh 2-47
- Arm Wldt, Shield, Lift, Outer, Rh 2-45
- Arm Wldt, Upper, Rh 2-45

**B**

- Ball, Valve, Hyd 4-13, 4-17, 4-21, 4-25, 4-29, 4-33, 4-37, 4-41, 4-45, 4-47, 4-49
- Ball 4-7
- Bar Wldt, Arm, Stop 2-45, 2-47
- Bar Wldt, Beater 2-65
- Bar Wldt, Mtg, Hose 3-3, 3-5
- Bar, Adj 2-53, 3-25
- Bar, Brush 2-41
- Bar, Dipstick 2-149
- Bar, Hinge 2-49
- Bar, Hose 2-97
- Bar, Mtg, Hose 2-87
- Bar, Retainer 2-65, 3-15
- Bar, Shoe, Drag 2-45, 2-47, 3-21
- Bar, Skirt 2-49

- Bar, Sq, Adj 2-51, 3-23
- Bearing, Ball, 1.18b 2.44d 0.63w 2-2, 2-43
- Bearing, Flange 2-2, 2-27
- Bearing, Flng, 2-Hole, 1.25b 3-11
- Bearing, Flng, 4-Hole, 1.50b 2-29, 2-39
- Bearing, Flng, 4-hole, 2.00b 2-39
- Bearing, Input 4-51
- Bearing, Journal 2-53, 2-91, 3-25
- Bearing, Pivot, 1.00 X 0.75l [Duralon] 2-29
- Bearing, Pivot, 1.0b .87l [Duralon] 2-2
- Bearing, Pivot, 1.5b 1.0l [Duralon] 2-29
- Bearing, Self Align, 1.00b 1.63d 2-27
- Bearing, Spherical, 1.25b 2-67, 2-69
- Bearing, Spherical, 2.0b 2-29
- Bearing, Thrust, 1.03b 2.00d 0.06w 2-65
- Bearing, Thrust, 1.25b 2.38d 0.12w 2-53, 3-25
- Bearing, Thrust 2-59, 4-51
- Bearing, W/ Collar, 1.00b 2.05d 1.21w 2-31
- Bearing 2-65, 4-51
- Belt, Conveyor 2-2, 2-27
- Bezel, Accssry W/ Label 2-101
- Bezel, Gauges 2-101
- Bezel, Stop Switch W/ Label 2-101
- Blade, Seal 3-15
- Blade, Squeegee, Tool, Sludge Remove 3-41
- Block, Stop 2-29
- Body 4-5
- Bolt, Carriage, M08 X 1.25 X 35 2-35
- Bolt, Eye, .38-16 X 2.41 X 1.00 Eye 2-61
- Bolt, Eye, M08x1.25 X 030mm 8.0 Eye 3-7
- Bolt, Eye, M6x1.0 X 1.5l, .39 Eye 2-53, 3-25
- Bolt, Hold-Down, Battery 08.5l 3-17
- Bolt, Latch, 0.500d, 0.940l, .38-16thrd 2-9
- Bolt, Latch, 0.675d, 1.150l, .44-14thrd 2-19
- Bolt 4-7
- Box, Wldt, Arm 2-43
- Brace Wldt, Vertical Exhaust 2-149
- Brace Wldt 2-19
- Brace, Shroud, White 2-19
- Bracket Wldt, Console 2-101
- Bracket Wldt, Cooler, Oil 2-85
- Bracket Wldt, Mtg, Console 2-101
- Bracket Wldt, Mtg, Cyl, Lh 3-31
- Bracket Wldt, Mtg, Cyl, Rh 3-29
- Bracket Wldt, Mtg, Door, Lh, White 2-11, 2-13
- Bracket Wldt, Mtg, Door, Rh, White 2-7, 2-9
- Bracket Wldt, Mtg, Pump, Lh 2-75
- Bracket Wldt, Mtg, Pump, Rh 2-75
- Bracket Wldt, Mtg, Rod 2-9, 2-13
- Bracket Wldt, Mtg, Strobe 3-37
- Bracket Wldt, Muffler 2-149
- Bracket Wldt, Retainer 2-43

- Bracket Wldt, Wndw, Frame 2-57
- Bracket Wldt 2-45, 3-35
- Bracket, Accccelerator 2-151
- Bracket, Air Line 2-151
- Bracket, Angle 3-15
- Bracket, Catch, Rod 2-9, 2-13
- Bracket, Chain 2-55
- Bracket, Condenser, Lh 2-149
- Bracket, Condenser, Rh, Inner 2-149
- Bracket, Fender, Lh 2-17
- Bracket, Fender, Rh 2-17
- Bracket, Flap 2-17
- Bracket, Guard W/label 2-102
- Bracket, Guard 2-25
- Bracket, Gusset, Cooler, Hyd 2-85
- Bracket, Hook 2-43
- Bracket, Hose Mtg 2-83
- Bracket, Hyd, Lh 3-23
- Bracket, Hyd, Rh 2-51
- Bracket, Latch, Top 2-71
- Bracket, Latch 2-71
- Bracket, Mount, Clamp 3-43
- Bracket, Mtg, A/C 2-149
- Bracket, Mtg, Alarm 2-15
- Bracket, Mtg, Battery 2-99
- Bracket, Mtg, Cntrl, Transmission 2-101
- Bracket, Mtg, Cntrl 2-101
- Bracket, Mtg, Condenser 2-149
- Bracket, Mtg, Console, Lh 2-101
- Bracket, Mtg, Console, Rh 2-101
- Bracket, Mtg, Harness 2-75
- Bracket, Mtg, Hose 2-25, 2-39
- Bracket, Mtg, Lh 2-49, 3-7
- Bracket, Mtg, Pin 2-19
- Bracket, Mtg, Rh 2-49, 3-13
- Bracket, Mtg, Sensor 2-63
- Bracket, Mtg, Steering Column 2-151
- Bracket, Mtg, Strobe, Rear 3-35, 3-37
- Bracket, Mtg 2-5
- Bracket, Retainer, Tube 2-81, 2-83
- Bracket, Retainer 2-65
- Bracket, Rh, Seat, Lh 2-151
- Bracket, Rh, Seat, Rh 2-151
- Bracket, Scraper, Lh 2-25
- Bracket, Scraper, Rh 2-25
- Bracket, Shrd, Lh 2-49
- Bracket, Shrd, Rh 2-49
- Bracket, Shrd, Top, Lh 2-49
- Bracket, Shrd, Top, Rh 2-49
- Bracket, Skirt, Long 2-35
- Bracket, Skirt, Short 2-35
- Bracket, Sppt 2-61
- Bracket, Stop, Door (Replaced by 396774) 2-7
- Bracket, Stop, Door (Replaced by 396775) 2-11
- Bracket, Stop, Shoe, Lh 2-47
- Bracket, Stop, Shoe, Rh 2-45
- Bracket, Switch, Stop 2-59
- Bracket, Tie-Down 3-17
- Bracket, Valve, Mount 3-43

Breather, Hyd, .03 Mic 2-2  
 Breather, Hyd, 10 Mic, W/O Ds 2-81  
 Brkt, Mtg, Skirt (Rh Side Brush Only) 3-5  
 Brush Set, Side, Segment, Flt Wir (Set of five) 2-3  
 Brush Set, Side, Segment, Pyp (Set of five) 2-3  
 Brush Set, Side, Segment, Pyp, Flt Wir (Set of five) 2-3  
 Brush Wldt, Shield, Lh 3-21  
 Brush Wldt, Shield, Rh 3-21  
 Brush, Main, Swp, 68l, Pyp 2-3  
 Bumper Wldt, Lh 3-7  
 Bumper Wldt, Rh 3-13  
 Bumper, Engine Door 2-7, 2-11  
 Bumper, Rbr, 1.0d 0.38t .31-18 2-19  
 Bushing, Brnz, 2.00b, 2.25d, 2.75l 2-67  
 Bushing, Brs, 1.50b, 1.75d, 1.75l 2-67, 2-69  
 Bushing, Brs, 1.75b, 2.00d, 2.50l 2-67, 2-69  
 Bushing, Brs, 2.00b, 2.25d, 2.75l 2-69  
 Bushing, Flng, 0.37b . D 0.50l 2-43  
 Bushing, Flng, 0.37b 0.50d 0.25l 3-11  
 Bushing, Flng, 0.75b 0.88d 0.75l 3-7, 3-13  
 Bushing, Oib, 1.25b, 1.50d, 1.25l 2-69  
 Bushing, Reducer, Thrd 3-43  
 Bushing, Sleeve, 0.51b 0.75d .42l 2-51, 3-23, 3-29, 3-31  
 Bushing, Sleeve, 0.75b 0.88d 1.25l, Fgl 2-41  
 Bushing, Sleeve, 1.25b 1.41d 1.00l, Tef 2-51, 3-23  
 Bushing, Sleeve, 1.875b 2.062d 1.5l, Bnz 2-2, 2-45, 2-47  
 Bushing, Sleeve, Rwk 2-45, 2-47  
 Bushing 2-67  
 Button, Plug, 0.56h .03-.12 [Black Nyl] 3-3, 3-5  
 Button, Plug, 0.75h .03-.12 [Black Nyl] 2-63  
 Button, Plug, 1.38h .11-.14 [Chrome Stl] 2-71

**C**

Cable, .06d, 05.8l, .26eye /.26eye 3-41  
 Cable, .09d, 18.25l, .18 Fork, .25-28 2-43  
 Cable, .19d, 44.08l, .50 Eye/M10 3-13  
 Cable, .19d, 48.38l, .50 Eye/M10 3-7  
 Cable, Lift, Brush 2-2, 2-39  
 Cable, Lift, Shield 2-2, 2-39  
 Cable, Ribbon, 26 Conductor 2-101  
 Cam, Lock 2-41  
 Cap, Bearing, Lower 2-27  
 Cap, Bearing, Upper 2-27  
 Cap, Fuel 2-21  
 Cap, Nozzle, Spray, Nylon 2-73, 3-27  
 Cap, Nozzle, Spray, Plstc 3-27  
 Cap, Pin 2-67, 2-69  
 Cap, Piston 4-51  
 Cap, Plstc, Spray Nozzle 2-73  
 Cartridge, Psi Cntrl, Valve, Hyd 4-27,

4-31, 4-35, 4-39, 4-43, 4-49  
 Cartridge, Valve, Chk 4-45  
 Caterpillar Truck Engines Opertn/Maint Manual 3-45  
 Chain, 29 Link 3-25  
 Chain, Str, 4/0 3-9  
 Chain, Str 2-55  
 Chain 2-53  
 Channel Wldt, Lh W/ Label 3-25  
 Channel Wldt, Rh W/ Label 2-53  
 Channel Wldt, Skirt, Brush, Cntr 3-11  
 Channel, Brush 2-55  
 Channel, Clamp, Hyd 2-89  
 Channel, Mtg, Skirt 3-9  
 Circuitboard Assy, [Centurion] 2-105  
 Clamp, Bar, Spray Nozzle 2-73, 3-27  
 Clamp, Cable, Stl, 0.38d X 0.62w, 1h 3-39, 3-40  
 Clamp, Cable, Stl, 0.44d X 0.62w, 1h 3-35, 3-37  
 Clamp, Cable, Stl, 0.88d X 0.62w, 1h 2-87, 2-93  
 Clamp, Cable, Stl, 0.9x1.8 X 0.88w, 1h 2-97  
 Clamp, Cable, Stl, 1.00d X 0.62w, 1h 2-75, 2-83, 2-85  
 Clamp, Cable, Stl, 1.50d X 1.00w, 1h 2-81  
 Clamp, Cable, Stl, 1.75d X 1.00w, 1h 2-81  
 Clamp, Cable, Stl, 2.50d X 1.00w, 1h 3-43  
 Clamp, Hose, Wormdrive, 0.31-0.88d 2-73, 3-27  
 Clamp, Hose, Wormdrive, 0.56-1.06d 2-71  
 Clamp, Hose, Wormdrive, 1.06-2.00d 3-43  
 Clamp, Hose, Wormdrive, 1.56-2.50d 2-23, 2-25, 2-71  
 Clamp, Hose, Wormdrive, 1.81-2.75d 2-71, 3-43  
 Clamp, Hyd, 0.38d 2-89  
 Clamp, Hyd, 0.50d 2-89  
 Clamp, Hyd, Stl, 0.75d X 1.62w 2-89  
 Clamp, Mtg, U Bolt 3-43  
 Clamp, Shield 2-45, 2-47  
 Clevis Wldt, Lift, Skirt 3-11  
 Clevis, Adj, 0.25pin, .25-28 2-43  
 Clevis, Adj, 0.38pin, M10x1.5 3-7, 3-13  
 Clevis, Adj, 0.50pin, .50-13 2-39  
 Clip, Finger Grip, 0.31-0.75d 2-9, 2-13  
 Clip, Safety, Gasspring 2-19  
 Clip 3-41  
 Conduit 2-101  
 Contact Block, Switch, N.O. 2-102  
 Contact, Switch 2-101  
 Contacts, Switch 2-102  
 Control, Logic 4-11, 4-15, 4-19, 4-23, 4-27, 4-31, 4-35, 4-39  
 Controller, Gauge, Link, Data 2-105  
 Cooler, Hyd, 50gpm 700btu Of16 19x19x4 2-85  
 Coupling, Hose, Fire 2-71  
 Coupling, Nipple 3-43  
 Coupling, Pump, 11t/17t Spl 2-83

Coupling, Valve 3-43  
 Cover Wldt, Flush 2-23  
 Cover Wldt, Hppr 2-61  
 Cover Wldt, Water Tank 2-71  
 Cover, Brg, Closed 4-51  
 Cover, Brg, Open 4-51  
 Cover, Conveyor, Front 2-23, 2-25  
 Cover, Front, Lower 2-23, 2-25  
 Cover, Front, Upper 2-23, 2-25  
 Cover, Guard, Fan 2-61  
 Cover, Plate, Lh 2-25  
 Cover, Plate, Rh 2-25  
 Cover, Rear, Lower 2-23, 2-25  
 Cover, Rear, Upper 2-23, 2-25  
 Cover, Rear 2-15  
 Cover, Relay 2-99  
 Cover, Switch 2-61  
 Cover, Water Tank 2-71  
 Cover 2-43, 2-49, 4-51  
 Crossmember Wldt 2-5  
 Cylinder, Hyd 1.0b,07.8l,02.75strk,3000 3-11  
 Cylinder, Hyd 1.5b,15.3l,07.00strk,3000 2-91  
 Cylinder, Hyd 2.0b,11.3l,04.00strk,3000 2-53, 3-25  
 Cylinder, Hyd 2.0b,12.5l,05.00strk,3000 2-97  
 Cylinder, Hyd 2.0b,14.4l,02.38strk,3000 2-95  
 Cylinder, Hyd 2.0b,16.1l,03.88strk,3000 2-95  
 Cylinder, Hyd 2.0b,17.8l,08.12strk,3000 2-97  
 Cylinder, Hyd, 2.0b 08.5l 01.25strk,3000 3-29, 3-31  
 Cylinder, Hyd, 3.5b, . L,30.4strk,3000 2-67  
 Cylinder, Hyd, 4.0b, . L,34.2strk,3000 2-69

**D**

Deflector, Brush, Skirt, Cntr 3-11  
 Deflector, Dirt, Brush 2-55  
 Diode, Ele, Plug 2-105  
 Disc, Friction 4-51  
 Disc, Retainer 2-29  
 Disc, Spacer 4-51  
 Door Wldt, Rear, W/ Label 2-19  
 Door, Access, White 2-57  
 Door, Chute, Hppr, White 2-59  
 Door, Hppr, White 2-57  
 Door, Lh, White (Replaced by 396775) 2-11  
 Door, Lh, White 2-13  
 Door, Rh, White (Replaced by 396774) 2-7  
 Door, Rh, White, W/ Label 2-9  
 Drive, Main 4-3  
 Drive 4-2, 4-7  
 Driveshaft, Pump 2-75  
 Duct Wldt, Broom, Gutter 3-15

## CROSS REFERENCE

Duct Wldt, Cntr 3-15  
Duct Wldt, Lower 3-15  
Duct Wldt, Upper 3-15  
Duct, Vyl, 0.40 X 0.75 .25d 10.0l 2-63  
Duct, Vyl, 0.40 X 0.75 .25d 19.0l 2-15  
Duct, Vyl, 0.40 X 0.75 .25d 24.0l 2-15  
Duct, Vyl, 0.74 X 1.50 .75d Max 24.0l 2-15  
Duct, Vyl, 14.0l 3-35, 3-37  
Duct, Vyl, 33.0l 2-15, 3-35, 3-37  
Duct, Vyl 2-63

### E

Element, Filter, Air, Primary 2-2  
Element, Filter, Air, Safety 2-2  
End Cap 4-2  
Extinguisher, Fire 3-44

### F

Fender, Plstc, Lh 2-17  
Fender, Plstc, Rh 2-17  
Filter, Bag 2-65  
Filter, Dust, Bag, Separator 2-65  
Filter, Fluid, Transmission 2-2  
Filter, Fuel 2-2  
Filter, Hyd 5mic 100gpm 800 2-85  
Filter, Hyd, 52 Mesh 2-83, 2-87  
Filter, Hyd 2-85  
Filter, Oil 2-2  
Fitting, Brs, Breather 02mp 2-61  
Fitting, Brs, E45, Pm02/Pf02 2-101  
Fitting, Brs, Str, Bm04/Bm04 Bkhd 2-61  
Fitting, Brs, Str, Cf05/Pm02 2-37  
Fitting, Brs, Str, Pm02/Bm03 2-61  
Fitting, E90 4-52  
Fitting, Elbow 2-37  
Fitting, Grease, E90 Pm02 .84l 2-53, 2-67, 3-25  
Fitting, Grease, E90 Pm04 .75l 2-29  
Fitting, Grease, Str Pm02 .66l 2-37, 2-43, 2-45, 2-47, 2-59, 2-69, 3-7, 3-13  
Fitting, Grease, Str Pm02 .66L 2-29  
Fitting, Grease, Str Pm04 .47l 2-27, 2-29, 2-45, 2-47  
Fitting, Grease, Str Pm04 .63l 2-67, 2-69  
Fitting, Hyd, Cap Jf08 2-83  
Fitting, Hyd, Cap, Jf16 2-85  
Fitting, Hyd, E45, Jm04/Jf04 2-75  
Fitting, Hyd, E45, Jm04/Om04 3-11  
Fitting, Hyd, E45, Jm08/Om08 2-81, 2-93  
Fitting, Hyd, E45, Jm08/Om10 2-95  
Fitting, Hyd, E45, Jm12/Om12 2-89  
Fitting, Hyd, E45, Jm16/Om16 2-81  
Fitting, Hyd, E45, Jm24/Om24 2-81, 2-85  
Fitting, Hyd, E90, Jm04/Jf04 2-75  
Fitting, Hyd, E90, Jm04/Om04 2-61, 2-91, 2-95, 2-97, 3-11, 3-29, 3-31  
Fitting, Hyd, E90, Jm04/Om06 3-33  
Fitting, Hyd, E90, Jm06/Jf06 2-51, 2-53, 3-23  
Fitting, Hyd, E90, Jm06/Jm06 2-97

Fitting, Hyd, E90, Jm06/Om04 2-53, 2-61, 2-97, 3-25  
Fitting, Hyd, E90, Jm06/Om06 2-51, 2-53, 2-81, 2-83, 2-87, 2-91, 2-95, 2-97, 3-25, 3-33  
Fitting, Hyd, E90, Jm08/Jf08 2-91, 2-93  
Fitting, Hyd, E90, Jm08/Om06 2-91, 2-93  
Fitting, Hyd, E90, Jm08/Om08 2-89, 2-91, 2-95  
Fitting, Hyd, E90, Jm08/Om10 2-51, 3-23  
Fitting, Hyd, E90, Jm10/Om10 2-81  
Fitting, Hyd, E90, Jm12/Jf12 2-83  
Fitting, Hyd, E90, Jm12/Om10 2-83  
Fitting, Hyd, E90, Jm12/Om12 2-61  
Fitting, Hyd, E90, Jm16/Om16 2-85  
Fitting, Hyd, E90, Jm20/Om20 2-81  
Fitting, Hyd, E90, Jm24/Om24 2-81, 2-83  
Fitting, Hyd, E90, Om04/Om04 2-89, 2-95  
Fitting, Hyd, E90, Om16/Jm16 2-85  
Fitting, Hyd, Nut, Jm06 2-51, 2-53, 3-23, 3-25  
Fitting, Hyd, Nut, Jm12 2-83  
Fitting, Hyd, Nut, Jm16 2-87  
Fitting, Hyd, Plug, Om 4-45, 4-49  
Fitting, Hyd, Plug, Om06 2-85  
Fitting, Hyd, Plug, Om10 2-81, 2-85  
Fitting, Hyd, Rst, Jm04/.036 2-91, 2-95, 3-33  
Fitting, Hyd, Str, F 16/F 16, Sae 61 2-83  
Fitting, Hyd, Str, F 32/F 32, Sae 61 2-83  
Fitting, Hyd, Str, F 40/F 40, Sae 61 2-83  
Fitting, Hyd, Str, Jf12/Om12 2-61  
Fitting, Hyd, Str, Jm04/Jm04 Bkhd 3-29, 3-31  
Fitting, Hyd, Str, Jm04/Om04 2-91, 2-95, 2-97, 3-33  
Fitting, Hyd, Str, Jm04/Om06 2-61, 2-95  
Fitting, Hyd, Str, Jm06/Jm06bkhhd 2-81  
Fitting, Hyd, Str, Jm06/Om04 2-97, 3-33  
Fitting, Hyd, Str, Jm06/Om06 2-87, 2-91, 2-95, 2-97  
Fitting, Hyd, Str, Jm06/Om08 2-81  
Fitting, Hyd, Str, Jm06/Om10 2-51, 3-23, 3-33  
Fitting, Hyd, Str, Jm06om06l 3-23  
Fitting, Hyd, Str, Jm08/Jm08 Bkhd 3-23  
Fitting, Hyd, Str, Jm08/Jm08bkhhd 2-51  
Fitting, Hyd, Str, Jm08/Om08 2-83, 2-95, 2-97  
Fitting, Hyd, Str, Jm08/Om10 2-83  
Fitting, Hyd, Str, Jm08/Om12 2-97  
Fitting, Hyd, Str, Jm10/Jf16 2-97  
Fitting, Hyd, Str, Jm10/Om10 2-81  
Fitting, Hyd, Str, Jm10/Om12 2-93, 2-97  
Fitting, Hyd, Str, Jm12/Jm12bkhhd 2-83, 2-87  
Fitting, Hyd, Str, Jm12/Om12 2-61, 2-87, 2-89, 2-95, 2-97  
Fitting, Hyd, Str, Jm24/Om24 2-85  
Fitting, Hyd, Str, Om04/Jf04 2-91  
Fitting, Hyd, Str, Om04/Qm04 2-97  
Fitting, Hyd, Str, Om24/Jm20 2-85  
Fitting, Hyd, Str, Pm02/Jm04 2-75

Fitting, Hyd, Tee, Jm04/Jm04/Jf04 2-95  
Fitting, Hyd, Tee, Jm04/Jm04/Om04 2-91, 2-95  
Fitting, Hyd, Tee, Jm06/Jm06/Jf06 3-25, 3-33  
Fitting, Hyd, Tee, Jm06/Jm06/Jm06 2-91, 2-95  
Fitting, Hyd, Tee, Jm06/Jm06/Jm06bkhhd 2-97  
Fitting, Hyd, Tee, Jm06/Jm06bkhhd/Jm06 2-95  
Fitting, Hyd, Tee, Jm08/Jf08/Jm08 2-83  
Fitting, Hyd, Tee, Jm08/Jm08/Jf08 2-93  
Fitting, Hyd, Tee, Jm08/Jm08/Om08 2-91  
Fitting, Hyd, Tee, Jm08/Om08/Jm08 2-93  
Fitting, Hyd, Tee, Jm10/Jm10bkhhd/Jm10 2-97  
Fitting, Hyd, Tee, Jm12/Jm12bkhhd/Jm12 2-95  
Fitting, Hyd, Tee, Jm16/Jm16/Om16 2-85  
Fitting, Hyd, Tee, Jm16/Om16/Jm16 2-85  
Fitting, Orifice 4-52  
Fitting, Pipe, E90, Pf24/Pm24 3-43  
Fitting, Pipe, E90, Pf32/Pf32 Z 3-43  
Fitting, Pipe, Plug, Pm02 Soc Head 2-29, 2-75  
Fitting, Pipe, Plug, Pm04 Sq Head 2-81  
Fitting, Pipe, Str, Pm04/Pf02 2-101  
Fitting, Pipe, Str, Pm24/Pm24 Close,Blk 3-43  
Fitting, Plstc, Bkhd, Bm08/Thrd, E90 2-73  
Fitting, Plstc, Cross, Spray Nozzle 2-73  
Fitting, Plstc, E45, Pf40/Pf40 2-71  
Fitting, Plstc, E45 2-25  
Fitting, Plstc, E90, Bm08/Pm04 2-73, 3-27  
Fitting, Plstc, E90, Bm08/Pm08 2-73  
Fitting, Plstc, E90, Bm12/Pm12 2-71, 3-27  
Fitting, Plstc, E90, Bm12/Pm16 2-71  
Fitting, Plstc, E90, Pf40/Pf40 2-71  
Fitting, Plstc, E90, Spray Nozzle 2-73, 3-27  
Fitting, Plstc, E90 2-25  
Fitting, Plstc, Nipple, Close, Pm40 2-71  
Fitting, Plstc, Str, Bm08/FIng 2-73, 3-27  
Fitting, Plstc, Str, Bm24/Pm24 2-23, 2-25, 2-71  
Fitting, Plstc, Str, Bm40/Pm40 2-71  
Fitting, Plstc, Str, Pm12/Pm12 Close 2-73  
Fitting, Plstc, Str, Pm24/Pm24 .L 2-71  
Fitting, Plstc, Tee, Spray Nozzle 2-73, 3-27  
Fitting, Plug, O-Ring, #2, Valve 4-13, 4-17, 4-21, 4-25, 4-29, 4-33, 4-37, 4-41, 4-45, 4-47, 4-49  
Fitting, Plug, O-Ring, #4, Valve Cec 4-3, 4-4  
Fitting, Plug, O-Ring, #4 4-13, 4-17, 4-21, 4-25, 4-29, 4-33, 4-37, 4-41, 4-45, 4-47, 4-49  
Fitting, Plug, O-Ring, #6, Valve 4-13, 4-17, 4-21, 4-25, 4-29, 4-33, 4-37, 4-41, 4-45



Fitting, Plug, O-Ring, Motor, Hyd 4-11, 4-23, 4-27, 4-39, 4-43, 4-45  
 Fitting, Plug, O-Ring 4-13, 4-17, 4-21, 4-25, 4-29, 4-33, 4-37, 4-41, 4-45, 4-49  
 Fitting, Tee 3-43, 4-52  
 Flange, Brg, 2.0id 3h 2-31  
 Flg, Mtg 2-Bolt 4-2  
 Frame Wldt, Filter Bag 2-65  
 Frame Wldt, Lift, Conveyor 2-29  
 Frame Wldt, Mount, Rear, Lh 2-69  
 Frame, W/ Label 2-5  
 Frame, Lift, Lower W/ Labels 2-69  
 Frame, Lift, Upper W/ Labels 2-67  
 Fuse, 20amp 2-105  
 Fuse, 30 Amp 2-105, 2-147  
 Fuse, 50amp, Ato-Maxi 2-147  
 Fuse, 60amp, Ato-Maxi 2-147

**G**

Gas spring, 120lb, 7.1strk 2-19  
 Gasket, Cover 2-99  
 Gasket, Switch, Fire 2-61  
 Gasket, Vacuum, Duct 3-15  
 Gauge, Fuel 2-101  
 Gauge, Press, Brake, Air, Dual 2-101  
 Gauge, Press, Oil 2-101  
 Gauge, Sight, Temp 2-81  
 Gauge, Speedometer, Link, Data 2-101  
 Gauge, Tachometer, Link, Data 2-101  
 Gauge, Temp, Coolant, Link, Data 2-101  
 Gauge, Temp, Transmission, Link, Data 2-101  
 Gauge, Voltmeter, Data Link 2-101  
 Gear, Bell, 30tooth 10pd 4-51  
 Gear, Drive 4-5  
 Gear, Idler 4-5  
 Gear, Input, 10, 50/29 4-51  
 Geroler 4-3, 4-4, 4-7  
 Gerotor Assy 4-2  
 Grip, Handle, Round 3-41  
 Grip, Vyl 3-43  
 Grommet, Rbr, 0.31id, F/ 0.4h, .06matl 2-15  
 Grommet, Rbr, 0.38id, F/ 0.5h, .12matl 2-43  
 Grommet, Rbr, 0.38id, F/ 1.4h, .09matl 3-35, 3-37  
 Grommet, Rbr, 0.50id, F/ 0.8h, .09matl 2-99  
 Grommet, Rbr, 0.50id, F/ 0.8h, .25matl 2-59  
 Grommet, Rbr, 0.50id, F/ 1.3h, .06matl 2-63  
 Grommet, Rbr, 0.62id, F/ 0.9h, .06matl 2-61, 2-63  
 Grommet, Rbr, 1.06id, F/ 1.4h, .19matl 2-73  
 Guard, Lamp 2-15  
 Guard, Rotating Lamp 3-35, 3-37  
 Guard, Switch, W/ Label 2-101  
 Guide, Roller, Rh 2-23

**H**

Handle Wldt, Cleanout Tool 3-41  
 Handle, Door 2-9, 2-13  
 Handle, Tube 3-41  
 Handle, Valve 3-43  
 Handle 2-19  
 Harness, Cab, [Centurion] 2-147  
 Harness, Data Link, [Centurion] 2-147  
 Harness, Extn, Sensor 2-63  
 Harness, Hppr, Lower, [Centurion] 2-147  
 Harness, Hppr, Upper, [Centurion] 2-147  
 Harness, Jumper, [12v Unswitched] 2-147  
 Harness, Lift, Hppr, [Centurion] 2-147  
 Harness, Link, Data, 12.0l 2-105  
 Harness, Main, [Centurion] 2-147  
 Harness, Marker Lights, [Centurion] 2-15  
 Harness, Radio, Jumper, [Centurion] 2-101  
 Harness, Revl Light, Cab, [Centurion] 3-35, 3-37  
 Harness, Revl, Light, Jumper 3-37  
 Harness, Switch, Down, Hppr, [Centurion] 2-59  
 Harness, Taillight, [Centurion] 2-15  
 Harness, Wire Assy, Fluid Level Sensor 3-19  
 Hinge Wldt, Door, Side, W/ Pin 2-11, 2-13  
 Hinge Wldt, Side, W/ Pin 2-11, 2-13  
 Hinge Wldt, W/ Pin 2-7, 2-9  
 Hinge Wldt, W/ Tube 2-11, 2-13  
 Hinge Wldt 2-7, 2-9  
 Hinge 2-19  
 Hopper Wldt, Base 2-59  
 Hopper, Main, W/ Label 2-57  
 Hose, Hyd, Tc 06, Jf Str/E90, 48.0l 2-51, 2-83, 3-23  
 Hose, Hyd, Tc06,Jm06strb/Jf06e90, 118.0 2-51, 3-23  
 Hose, Hyd, Tc08, Jf08str-/Jf08e90l, 56.0 2-95  
 Hose, Hyd,Med06, Jf06str /Jf06e45, 102.0 2-81, 2-97  
 Hose, Hyd,Med06, Jf06str /Jf06e90, 10.0 3-33  
 Hose, Hyd,Med06, Jf06str /Jf06e90, 21.0 2-97  
 Hose, Hyd,Med06, Jf06str /Jf06e90, 70.0 2-81  
 Hose, Hyd,Med06, Jf06str /Jf06e90,290.0 2-87  
 Hose, Hyd,Med06, Jf06str /Jf06e90l, 25.0 2-97  
 Hose, Hyd,Med06, Jf06str /Jf06e90l, 55.0 2-95  
 Hose, Hyd,Med06, Jf06str /Jf06str, 36.0 2-61  
 Hose, Hyd,Med06, Jm06strb/Jf06str, 70.0 3-25  
 Hose, Hyd,Med06, Jm06strb/Jf06str, 86.0 2-53  
 Hose, Hyd,Med08, Jf08str /Jf08e45, 78.0 2-93  
 Hose, Hyd,Med08, Jf08str /Jf08e90, 18.0

2-83  
 Hose, Hyd,Med08, Jf08str /Jf08e90, 23.0 2-51  
 Hose, Hyd,Med08, Jf08str /Jf08e90, 31.0 2-93  
 Hose, Hyd,Med08, Jf08str /Jf08e90, 34.0 3-23  
 Hose, Hyd,Med08, Jf08str /Jf08e90, 84.0 2-95  
 Hose, Hyd,Med10, Jf10str /Jf10e45, 34.0 2-97  
 Hose, Hyd,Med10, Jf10str /Jf10str, 27.0 2-97  
 Hose, Hyd,Med10, Jf10str /Jf10str, 65.0 2-97  
 Hose, Hyd,Med10, Jf10str/Jf10e90, 18.0 2-81  
 Hose, Hyd,Med12, Jf12str /Jf12str, 72.0 2-87  
 Hose, Hyd,Med16, Jf16str /Jf16str, 64.0 2-83  
 Hose, Hyd,Suc20, Jf20str /Jf20e90l, 49.0 2-81  
 Hose, Hyd,Suc24, Jf24str /F 32e90, 53.0 2-83  
 Hose, Hyd,Suc24, Jf24str /F 40e90, 46.0 2-83  
 Hose, Hyd,Suc24, Jf24str /Jf24e45, 64.0 2-81  
 Hose, Hyd,Suc24, Jf24str /Jf24e90, 66.0 2-85  
 Hose, Hyd,Tc 04, Jf04str /Jf04e45, 76.0 2-91  
 Hose, Hyd,Tc 04, Jf04str /Jf04e45, 82.0 2-91  
 Hose, Hyd,Tc 04, Jf04str /Jf04e90, 15.0 2-61  
 Hose, Hyd,Tc 04, Jf04str /Jf04e90, 20.0 2-95  
 Hose, Hyd,Tc 04, Jf04str /Jf04e90, 44.0 3-29, 3-31  
 Hose, Hyd,Tc 04, Jf04str /Jf04e90, 56.0 2-95  
 Hose, Hyd,Tc 04, Jf04str /Jf04e90, 62.0 2-97  
 Hose, Hyd,Tc 04, Jf04str /Jf04e90, 72.0 2-97, 3-33  
 Hose, Hyd,Tc 04, Jf04str /Jf04e90,09.0 2-91  
 Hose, Hyd,Tc 04, Jf04str /Jf04e90,156.0 3-11  
 Hose, Hyd,Tc 04, Jf04str /Jf04str,118.0 2-95  
 Hose, Hyd,Tc 04, Jf04str /Jf04str,120.0 2-95  
 Hose, Hyd,Tc 04, Jf04str /Jf04str,158.0 3-33  
 Hose, Hyd,Tc 06, Jf06str /Jf06e90, 12.0 2-91  
 Hose, Hyd,Tc 06, Jf06str /Jf06e90, 37.0 2-95  
 Hose, Hyd,Tc 06, Jf06str /Jf06e90, 40.0 2-53, 2-95, 3-25

## CROSS REFERENCE

- Hose, Hyd,Tc 06, Jf06str /Jf06e90 , 62.0 3-33  
Hose, Hyd,Tc 06, Jf06str /Jf06e90 , 102.0 2-91  
Hose, Hyd,Tc 06, Jf06str /Jf06e90 , 134.0 2-97  
Hose, Hyd,Tc 06, Jf06str /Jf06str , 16.0 2-97  
Hose, Hyd,Tc 06, Jf06str /Jf06str , 36.0 2-97  
Hose, Hyd,Tc 06, Jf06str /Jf06str , 124.0 3-25  
Hose, Hyd,Tc 06, Jf06str /Jf06str , 280.0 2-87  
Hose, Hyd,Tc 06, Jm06strb/Jf06e90 , 114.0 2-51, 3-23  
Hose, Hyd,Tc 06, Jm06strb/Jf06str , 103.0 2-53  
Hose, Hyd,Tc 08, Jf08str /Jf08e90 , 20.0 2-89  
Hose, Hyd,Tc 08, Jf08str /Jf08e90 , 31.0 2-93  
Hose, Hyd,Tc 08, Jf08str /Jf08e90 , 38.0 2-89  
Hose, Hyd,Tc 08, Jf08str /Jf08e90 , 50.0 2-51, 3-23  
Hose, Hyd,Tc 08, Jf08str /Jf08e90 , 54.0 2-81, 2-95  
Hose, Hyd,Tc 08, Jf08str /Jf08e90 , 112.0 2-91  
Hose, Hyd,Tc 08, Jf08str /Jf08str , 18.0 2-89  
Hose, Hyd,Tc 08, Jf08str /Jf08str , 24.0 2-91  
Hose, Hyd,Tc 08, Jf08str /Jf08str , 106.0 2-97  
Hose, Hyd,Tc 10, Jf08str /Jf10e90 , 182.0 2-93  
Hose, Hyd,Tc 12, Jf12str /Jf12e45 , 66.0 2-87  
Hose, Hyd,Tc 12, Jf12str /Jf12e90 , 25.0 2-83  
Hose, Hyd,Tc 12, Jf12str /Jf12e90 , 40.0 2-95  
Hose, Hyd,Tc 12, Jf12str /Jf12e90 , 44.0 2-61  
Hose, Hyd,Tc 12, Jf12str /Jf12e90 , 130.0 2-97  
Hose, Hyd,Tc 12, Jf12str /Jf12str , 35.0 2-61  
Hose, Hyd,Tc 16, Jf12str /F 16e60 , 47.0 2-83  
Hose, Hyd,Tc 16, Jf12str /F 16e90, 46.0 2-83  
Hose, Hyd,Tc 16, Jf12str /Jf16str , 34.0 2-87  
Hose, Hyd,Tc 16, Jf12str /Jf16str , 44.0 2-87  
Hose, Hyd,Tc 16, Jf16str /Jf16str , 34.0 2-87  
Hose, Pvc, Brd, 0.50id 0.73od, 11.0L 2-73  
Hose, Pvc, Brd, 0.50id 0.73od, 126.0L 2-73  
Hose, Pvc, Brd, 0.50id 0.73od, 14.0L 2-73  
Hose, Pvc, Brd, 0.50id 0.73od, 14.5L 2-73  
Hose, Pvc, Brd, 0.50id 0.73od, 17.0L 2-73  
Hose, Pvc, Brd, 0.50id 0.73od, 192.0L 2-73  
Hose, Pvc, Brd, 0.50id 0.73od, 264.0L 2-73  
Hose, Pvc, Brd, 0.50id 0.73od, 8.0L 2-73  
Hose, Pvc, Brd, 0.50id 0.73od, 9.0L 2-73  
Hose, Pvc, Brd, 0.50id 0.73od 3-27  
Hose, Pvc, Brd, 0.75id 1.03od 14.00L 2-71  
Hose, Rbr, 0.50id 0.78d 018.0l 2-37  
Hose, Vacuum 2-61  
Hose, Water, 1.50d 3-43  
Hose, Water, 2.50d 3-43  
Hose, Water, 240.0l 2-71  
Hose, Water 2-23, 2-25, 2-71  
Hose 4-52  
Housing Assy, 4-7  
Housing, Bearing 4-3  
Housing, Brg 4-4, 4-7  
Housing, Component 2-63  
Housing, Lh (Used on 394196) 4-51  
Housing, Rh (Used on 394195) 4-51  
Housing, Valve 4-3, 4-4  
Housing 4-2  
Hub, Brush 2-51, 3-23  
Hub, Clutch 4-51
- I**
- Impeller, Vacfan 2-61  
Instr. Repair Info, Motor 4-7  
Isolator, Wrench, Rbr 2-71
- K**
- Key, Sq, 0.25 X 0.25, 01.50L 2-31  
Key, Sq, 0.38 X .038, 02.00l 2-39  
Key, Sq, 0.50 X 2.00l 2-39  
Key, Sq, Pump, Hyd 4-3  
Key, Woodruff 4-51  
Key-Wdruff 0.25 1.00 Asa#0808 4-2  
Key 4-7  
Kit, Ci, Belt Assy, Conveyor 2-27  
Kit, Ci, Conveyor Flush, W/ Hydrant 3-43  
Kit, Ci, Light, Revl 3-37  
Kit, Ci, Light, Strobe 3-35  
Kit, Ci, Light, Work, Rh 3-40  
Kit, Ci, Light, Work 3-39  
Kit, Gasket 2-75, 4-52  
Kit, Hose 2-75, 4-52  
Kit, Modif, Guard, Cntrl, Steering 2-102  
Kit, Modif, Switch, Down, Hppr 2-59  
Kit, Repair, Bearing, [Char-Lynn] 4-3  
Kit, Repair, Conveyor Belt 2-27  
Kit, Replmt, Drive 4-4  
Kit, Replmt, Shroud, Console 2-101  
Kit, Replmt, Skirt, Brush 2-49  
Kit, Roller Assy, Lower 2-27  
Kit, Roller Assy, Top 2-27
- Kit, Seal, Cartridge, Valve [Cec] 4-8  
Kit, Seal, Cartridge, Valve, Hyd 4-11, 4-23, 4-27, 4-39, 4-43, 4-49  
Kit, Seal, Cartridge 4-11, 4-13, 4-15, 4-17, 4-19, 4-21, 4-23, 4-25, 4-27, 4-29, 4-31, 4-33, 4-35, 4-37, 4-39, 4-41, 4-43, 4-45, 4-49  
Kit, Seal, Valve, Hyd [Cec] 4-8, 4-11, 4-13, 4-15, 4-17, 4-19, 4-21, 4-23, 4-25, 4-27, 4-29, 4-31, 4-33, 4-35, 4-37, 4-39, 4-41, 4-43, 4-45, 4-49  
Kit, Seal, Valve, Hyd 4-11, 4-15, 4-19, 4-23, 4-27, 4-31, 4-35, 4-39, 4-47  
Kit, Seal, Valve 4-9  
Kit, Shaft And Bearing 4-4  
Kit, Stud 2-75  
Knob Assy, Rnd, 2.37d 1.3l M12x1.75 1.6l 2-101  
Knob Assy, Star, 1.75d 1.2l M08x1.25 0.8 2-25
- L**
- Label Set, Info/Hzrd, Std, [Centurion] 2-152  
Label Set, Logo, [Centurion] 2-152  
Label Set, Opertnl, Cab, [Centurion] 2-152  
Label, Info, [Grease Daily] 2-152  
Lamp Assy, License, 12v 2-15  
Lamp Assy, Marker/Red, 12v 2-15  
Lamp Assy, Red , 12v [3 Wire] 2-15  
Lamp Assy, Red, 12v [2 Wire] 2-15  
Lamp Assy, Reflector/Red, 12v 2-15  
Lamp Assy, Reverse, 12v 2-15  
Lamp Assy, Rotating 3-37  
Lamp Assy, Strobe, Amber 3-35  
Lamp, 12v, [Miniture Bayonet] 2-102  
Lamp, 12vdc, . A Cp [#194] 2-15  
Lamp, 12vdc, . A 55watt 3-37  
Lamp, 12vdc, 0.5a Watt 04cp [#1157] 2-15  
Lamp, 12vdc, 2.1a Watt 32c [#1156] 2-15  
Lamp, Flood, 12vdc, 55w 3-39, 3-40  
Lamp, Panl, 12vdc 2-101  
Lamp, Warning, 12vdc, [4 Postion] 2-101  
Latch, Bolt, .38-16 2-7, 2-11, 2-13  
Latch, Door, Access 2-57  
Latch, Door 2-7, 2-11, 2-19  
Latch, Nut, .38-16 2-7, 2-11, 2-13  
Latch, Rh 2-9, 2-13  
Leg Assy, Bottom Inside 2-69  
Leg Assy, Bottom Outside 2-69  
Leg Assy, Upper Inside 2-67  
Leg Assy, Upper Outside 2-67  
Lens, Amber, Light, F/395993 3-35  
Lens, Amber, Light, Revl 3-37  
Lens, Blue, Light, Revl 3-37  
Lens, Blue, Light, F/395993 3-35  
Lens, Red, Light, Revl 3-37  
Lens, Red, Light 3-35  
Lever, Arm Wldt 2-43  
Lift Wldt, Skirt 3-9

Link, Drag 2-151  
 Link, Lift, Brush 2-39  
 Louver, Door, White 2-11, 2-13

**M**

Manifold, Hyd (Charge) 2-85  
 Manifold, Hyd [Charge] 4-9  
 Manual Pkg, [Centurion Die Na] 3-46  
 Manual, Cd-Rom, Oprtr & Parts, All (Na) 3-46  
 Manual, Cd-Rom, Service. [Centurion Dsl] 3-46  
 Manual, Fiche, [Centurion Die] 3-46  
 Molding, Trim, .08-.11 04.00 2-73  
 Molding, Trim, .08-.11 13.20 2-19  
 Molding, Trim, Vyl, .19, 9.0l 2-5  
 Motor, Hyd (See Breakdowns) 2-89  
 Motor, Hyd Gear Ex 2.0l B 4000 2-61  
 Motor, Hyd Gear 4-7  
 Motor, Hyd Shaker W/End Ports 4-2  
 Motor, Hyd, Gear, [In] 17.1 B 3000 (See Breakdowns) 2-43  
 Motor, Hyd, Gear, [In] 06.2 B 3000 (See Breakdowns) 2-27  
 Motor, Hyd, Gear, [In] 06.2 B 3000 4-4  
 Motor, Hyd, Gear, [In] 11.9 B 3000 (See Breakdowns) 2-51, 3-23  
 Motor, Hyd, Gear, [In] 11.9 B 3000 4-3  
 Mount Wldt, Cyl, Lh 3-31  
 Mount Wldt, Cyl, Rh 3-29  
 Mount Wldt, Frame, Front, Lh 2-69  
 Mount Wldt, Lh, Tank 2-5  
 Mount Wldt, Lh 3-25  
 Mount Wldt, Motor, Lh 3-23  
 Mount Wldt, Motor, Rh 2-51  
 Mount Wldt, Remote Grease 2-37  
 Mount Wldt, Rh 2-5  
 Mount Wldt, Stop, Lh 3-25  
 Mount Wldt, Stop, Rh 2-53  
 Mount, Cable Tie 3-35, 3-37  
 Mount, Rear, Lh 3-5  
 Mount, Rear, Rh 3-3

**N**

Nozzle, [Floodjet 30dt7.5] 2-73, 3-27  
 Nut, Cage, Latch, .38-16 2-9  
 Nut, Cart, Valve, Hyd 4-11, 4-15, 4-17, 4-19, 4-21, 4-23, 4-27, 4-31, 4-33, 4-35, 4-37, 4-39, 4-43, 4-49  
 Nut, Coil 4-11, 4-15, 4-19, 4-23, 4-27, 4-31, 4-35, 4-39, 4-43  
 Nut, Hex, Extn, M12 X 1.75 2-5  
 Nut, Hex, Flng, M06 X 1.0 2-11, 2-13, 2-19  
 Nut, Hex, Flng, M10 X 1.5 3-43  
 Nut, Hex, Flng, M8 X 1.25 2-35, 2-59  
 Nut, Hex, Jam M20 X 2.5 2-29  
 Nut, Hex, Jam, .31-18 2-19  
 Nut, Hex, Jam, .50-13, Ss 2-39  
 Nut, Hex, Jam, .75-16 2-51, 3-23

Nut, Hex, Jam, 1.00-14, G5, Left 2-53, 3-25  
 Nut, Hex, Jam, 1.00-14 2-53, 3-25  
 Nut, Hex, Jam, M10 X 1.5, Ss 3-7, 3-13  
 Nut, Hex, Jam, M16x2.0 2-29, 2-31  
 Nut, Hex, Lock, .31-18, NI, Thin 2-19  
 Nut, Hex, Lock, .31-18, NI 3-17  
 Nut, Hex, Lock, 1.00-08, NI 2-53, 2-59, 3-25  
 Nut, Hex, Lock, M 4 X 0.7, NI 2-59, 2-102  
 Nut, Hex, Lock, M 6 X 1.0, NI, Ss 2-9, 2-13, 2-59, 2-63  
 Nut, Hex, Lock, M 6 X 1.0, NI 2-9  
 Nut, Hex, Lock, M 8 X 1.25 NI 2-9  
 Nut, Hex, Lock, M 8 X 1.25, NI, Ss 2-9, 2-13, 2-17, 2-63  
 Nut, Hex, Lock, M04 X 0.7, NI 2-15, 2-59, 2-61  
 Nut, Hex, Lock, M05 X 0.8, NI, Ss 2-15, 3-35, 3-37  
 Nut, Hex, Lock, M05 X 0.8, NI 2-43, 2-99  
 Nut, Hex, Lock, M06 X 1.0, NI, Ss 2-43, 2-49, 3-3, 3-5, 3-41  
 Nut, Hex, Lock, M06 X 1.0, NI 2-7, 2-11, 2-13, 2-33, 2-57, 2-99, 2-105, 3-35, 3-37, 3-44  
 Nut, Hex, Lock, M08 X 1.25, NI, Ss 2-5, 2-35, 2-55, 2-57, 2-61, 3-3, 3-7, 3-13, 3-39, 3-40  
 Nut, Hex, Lock, M08 X 1.25, NI 2-5, 2-7, 2-11, 2-13, 2-19, 2-21, 2-27, 2-31, 2-33, 2-35, 2-61, 2-65, 2-81, 2-83, 2-85, 2-97, 2-101, 3-15  
 Nut, Hex, Lock, M08X1.25, NI, Ss (Rh Side Brush Only) 3-5  
 Nut, Hex, Lock, M10 X 1.5, NI, Ss 2-45, 2-47, 2-49, 2-51, 2-53, 2-55, 3-5, 3-7, 3-9, 3-13, 3-23, 3-25  
 Nut, Hex, Lock, M10 X 1.5, NI 2-5, 2-17, 2-19, 2-85, 2-87, 2-99, 3-20, 3-21, 3-29, 3-31, 3-43  
 Nut, Hex, Lock, M12 X 1.75, NI, Ss 2-45, 2-47, 2-51, 3-23  
 Nut, Hex, Lock, M12 X 1.75, NI 2-27, 2-31, 2-39, 2-61, 2-83, 2-89  
 Nut, Hex, Lock, M14 X 2.0, NI 2-75  
 Nut, Hex, Lock, M16 X 2.0, NI 2-31, 2-43  
 Nut, Hex, Std, .25-28 2-43  
 Nut, Hex, Std, .44-14, 5 2-19  
 Nut, Hex, Std, .50-13, Left 2-39  
 Nut, Hex, Std, .50-13 2-27  
 Nut, Hex, Std, M03X0.5 2-9, 2-13  
 Nut, Hex, Std, M06 X 1.0 , Ss 2-9, 2-13, 2-53, 3-25  
 Nut, Hex, Std, M08 X 1.25, Ss 3-7, 3-13  
 Nut, Hex, Std, M08 X 1.25 2-23, 2-25, 2-41, 2-61  
 Nut, Hex, Std, M10 X 1.5 , Ss 2-7, 2-11  
 Nut, Hex, Std, M12 X 1.75, 10 2-5, 2-51, 2-75, 3-3, 3-23, 3-25  
 Nut, Hex, Std, M12 X 1.75 2-5, 2-31  
 Nut, Hex, Std, M20 X 2.5 , 10 2-5  
 Nut, Hex, Std, M20 X 2.5 2-29, 2-31

Nut, Slot, Pump, Hyd, Gear 4-3  
 Nut, Speed, Retainer, .25-20 [.025-.063] 2-15  
 Nut, U, M06 X 1.0 2-101  
 Nut 4-7, 4-11, 4-15, 4-19, 4-23, 4-27, 4-31, 4-35, 4-39, 4-47, 4-49

**O**

Oil, Hyd, 15/20, 05gal 2-2  
 Oil, Hyd, 15/40, 05gal 2-2  
 Oil, Hyd, Syn, 5 Gal 2-2  
 One Stop Service Dealer Directories 3-45  
 Output Shaft 4-2

**P**

Paint, Airdry, [Gm White], 12oz 2-2  
 Paint, Airdry, [Hawk Gray], 12oz 2-2  
 Pane, Wndw 2-57  
 Panel Assy, Touch, [Centurion] 2-101  
 Panel Wldt, Brush W/ Labels 2-51, 3-23  
 Panel Wldt, Cntr 3-11  
 Panel Wldt, Conveyor, Lh W/ Label 2-23, 2-25  
 Panel Wldt, Conveyor, Rh W/ Label 2-23, 2-25  
 Panel Wldt, Floor 2-151  
 Panel Wldt, Front, Lh 3-5  
 Panel Wldt, Front, Rh 3-3  
 Panel Wldt, Lh 2-49  
 Panel Wldt, Rear, Lh, W/ Label 2-19  
 Panel Wldt, Rear, Lh, White (Repl. by 396776) 2-19  
 Panel Wldt, Rear, Rh, W/ Label 2-19  
 Panel Wldt, Rear, Rh, White 2-19  
 Panel Wldt, Rh 2-49  
 Panel Wldt, Top, Lh 3-5  
 Panel Wldt, Top, Rh 3-3  
 Panel, Access, Lh 3-5  
 Panel, Access, Rh 3-3  
 Panel, Access 2-105  
 Panel, Cap 2-65  
 Panel, Door, Pys, Lh 2-11, 2-13  
 Panel, Door, Pys, Rear 2-19  
 Panel, Door, Pys, Rh 2-7, 2-9  
 Panel, Guard W/ Labels 2-39  
 Panel, Guard, Top 2-33  
 Panel, Lh 2-49  
 Panel, Plstc, Lower, Rear 2-49  
 Panel, Plstc 2-49  
 Panel, Rear, Lh 3-5  
 Panel, Rear, Rh 3-3  
 Panel, Rh 2-49  
 Panel, Top, White 2-19  
 Pedestal Wldt, Seat 2-151  
 Pin Assy, Leg, End 2-67  
 Pin Assy, Leg, Frame 2-67, 2-69  
 Pin Assy, Leg, Lower 2-69  
 Pin Assy, Leg, Upper 2-67  
 Pin Assy, Lift Cyl, Bottom 2-69  
 Pin Assy, Lift Cyl, Rod End 2-69

## CROSS REFERENCE

Pin Assy, Roller 2-67, 2-69  
Pin Assy, Tilt Cyl, Rod End 2-67  
Pin Wldt, Bellcrank 2-29  
Pin Wldt, Clevis 2-53, 2-59, 2-91, 3-25  
Pin Wldt, Cyl, Pivot, 1.0d 1.875l 2-29  
Pin Wldt, Cyl, Pivot, 1.0d 2.25l 2-29  
Pin Wldt, Hppr, Pivot, Tilt 2-91  
Pin Wldt, Linkage, Brush 2-45, 2-47  
Pin Wldt, Pivot, 1.5d 7.375l 2-29  
Pin Wldt 2-59  
Pin, Clevis, 0.19 D X 0.75l 2-43  
Pin, Clevis, 0.25 D X 1.00l 2-43  
Pin, Clevis, 0.37 D X 1.25l 3-7, 3-13  
Pin, Clevis, 0.37 D X 1.50l 3-11  
Pin, Clevis, 0.37 D X 2.00l 2-57  
Pin, Clevis, 0.50 D X 1.87l 3-11  
Pin, Clevis, 0.50 D X 2.00l 2-39  
Pin, Clevis, 0.62 D X 2.12l 3-29, 3-31  
Pin, Clevis, 0.62 D X 3.00l 3-29, 3-31  
Pin, Clevis 2-31, 2-39  
Pin, Cotter, .094 X 0.75 3-7, 3-11, 3-13  
Pin, Cotter, .094 X 1.00 2-43, 2-57  
Pin, Cotter, .125 X 1.00 3-11, 3-29, 3-31  
Pin, Cotter, .125 X 1.50 2-39  
Pin, Cotter, .125 X 1.75 2-43, 2-51, 3-23  
Pin, Cotter, .156 X 1.25 2-31, 2-65  
Pin, Hair Cotter, 0.75 D .148 Wir 2-41  
Pin, Hitch 3-41  
Pin, Plug, Brush 2-2, 2-43  
Pin, Prong 2-105  
Pin, Pump, Hyd, Gear 4-3, 4-4  
Pin, Roll 4-51  
Pin, Spirol, .187d, 1.75l, .185/.187 3-11, 3-13  
Piston, Pilot 4-43  
Piston 4-51  
Pivot Wldt, Lh W/ Label 2-27  
Pivot Wldt, Lh 2-27, 2-29, 3-25  
Pivot Wldt, Rh W/ Label 2-27  
Pivot Wldt, Rh 2-27, 2-29, 2-53  
Pivot Wldt, Tensioner 2-31  
Plate Wldt, Deflector, Air 2-61  
Plate Wldt, Hose 2-71  
Plate Wldt, Lock 2-41  
Plate Wldt, Motor, Mount 2-61  
Plate Wldt, Mtg, Cyl, Lift, Skirt 3-11  
Plate Wldt, Scraper 2-23, 2-25  
Plate Wldt, Sppt, Conveyor 2-29  
Plate Wldt, Tray 3-15  
Plate, Arm, Stop 2-39  
Plate, Back, Pump, Hyd 4-5  
Plate, Backing 2-69  
Plate, Bezel, W/ Label 2-101  
Plate, Broom, Spacer 2-43  
Plate, Cable Connector, Sppt 2-71  
Plate, Cover, Drive, Brush 2-43  
Plate, Cover, Radio 2-101  
Plate, Cover] (W/O High Dump) 4-43  
Plate, Cover 2-9, 2-61, 2-65  
Plate, Deflector, Lh 2-35  
Plate, Deflector, Rh 2-35

Plate, Deflector 2-57  
Plate, Front, Pump, Hyd 4-5  
Plate, Hinge, Skirt 2-2, 2-49  
Plate, Hose, Lh 2-71  
Plate, Idler, Brush 2-43  
Plate, Isolator, Relay 2-99  
Plate, Motor 2-27  
Plate, Mount, Clamp 2-85  
Plate, Mtg, Relay 2-99  
Plate, Mtg, Lift, Skirt, Front 3-11  
Plate, Mtg, Lift, Skirt, Rear 3-11  
Plate, Mtg, Light 3-39, 3-40  
Plate, Mtg, Rear, Rh 2-55  
Plate, Mtg, Rear 2-55  
Plate, Mtg, Valve, Hyd 2-89  
Plate, Mtg, Valve 3-33  
Plate, Pin 2-59  
Plate, Pump, Gear 4-3, 4-4  
Plate, Recirculation 2-49  
Plate, Retainer, Hppr 2-57  
Plate, Retainer 2-65  
Plate, Seal, Lower 2-27  
Plate, Seal, Sppt 2-57  
Plate, Seal, Upper 2-27  
Plate, Shield, Brush, Lh 2-47, 3-20  
Plate, Shield, Brush, Rh 2-45, 3-20  
Plate, Spacer 2-29, 2-59  
Plate, Sppt 2-105, 3-17  
Plate, Switch, Mtg 2-59  
Plate, Switch 2-29  
Plate, Valve, Pump, Gear [Char Lynn] 4-3, 4-4  
Plate, Valve 4-7  
Plate, Window 2-63  
Plate 4-51  
Plug #10 4-2  
Plug #4 4-7  
Plug Assembly 4-7  
Plug, Cavity (W/O Left Side Brush Tilt) 4-47  
Plug, Cavity 4-13, 4-25, 4-29, 4-41, 4-49  
Plug, Drive 2-43  
Plug, Guide, Brush 2-2, 2-43  
Plug, Hole, Rockerswitch 3-40  
Plug, Housing 4-2  
Plug, Idler, Brush 2-43  
Plug, O-Ring En 4-9  
Plug, O-Ring 4-43, 4-45  
Plug, Orifice Cp 4-45, 4-49  
Plug, Orifice 4-13, 4-17, 4-21, 4-25, 4-29, 4-33, 4-37, 4-41, 4-45, 4-49  
Plug, Pipe 4-51  
Plug, Valve, Hyd 4-45  
Plug 4-11, 4-13, 4-15, 4-23, 4-25, 4-27, 4-29, 4-31, 4-39, 4-41, 4-51, 4-52  
Pump, Hyd Piston V 4.96 R 3625 2-83  
Pump, Hyd Piston V 6.00 R 3625 2-83  
Pump, Hyd, Gear [Ex1] 1.87 [R] 2750 (See Breakdowns) 2-83  
Pump, Hyd, Gear [Ex1] 1.87 [R] 2750 4-5  
Pump, Solution, Impeller, 12v 2-73

## R

Race Thrust 4-2  
Reflector Pkg, Tri 3-44  
Relay, 12vdc, 40a, Spdt, [Potter] 2-99, 2-105  
Relay, 12vdc, 40a, Spdt 2-147  
Relay, 12vdc, 75a, [Bosch] 2-99  
Relay, 12vdc, 20a, Spdt, [Mini] 2-105  
Repair Info, Mtr 4-2, 4-3, 4-4, 4-5  
Reservoir, Hyd W/Labels 2-81  
Retainer, Clip 2-9, 2-13  
Retainer, Frt 4-7  
Retainer, Grease 2-27  
Retainer, Hppr, Side 2-57  
Retainer, Seal 3-3, 3-5  
Retainer, Skirt, LH (Rh Side Brush Only) 3-5  
Retainer, Skirt, Lh 3-7  
Retainer, Skirt, Rh 3-3  
Retainer, Skirt 3-7, 3-13  
Retainer, Strap, Top 2-33  
Ring, Balance, Pump, Hyd, Gear 4-3, 4-4  
Ring, Retaining, Ext, Metric, 30mm 2-43  
Ring, Retaining, Int, Metric, 62mm 2-43  
Ring, Snap 4-51  
Ring 4-7  
Rivet, Blind, .156d X .30 X .31, Ss 2-7, 2-9, 2-11, 2-13, 2-19  
Rivet, Blind, .156d X 0.71 X .31d 2-65  
Rivet, Blind, .188d X 0.45 X .38d, Stl 2-57  
Rod Weld, Tensioner 2-31  
Rod, Actuator 2-9, 2-13  
Rod, Pedal, Accelerator 2-151  
Rod, Thr, 2 End M12x1.75 14.25 2-31  
Rod, Thr, 2 End M16 X 2.0 14.25 2-31  
Rod-End, .75-16lh Mal 0.75b 2-51, 3-23  
Rod-End, .75-16rh Mal 0.75b 2-51, 3-23  
Rod-End, 1.00-14lh Mal 1.00b 2-53, 3-25  
Rod-End, 1.00-14rh Mal 1.00b 2-53, 3-25  
Rod 2-9, 2-13, 2-59  
Roller, 5.0d 2-67, 2-69

## S

Screen, Vacuum 3-15  
Screen 3-15  
Screw, Btn, M 8 X 1.25 X 25, Ss 2-65  
Screw, Btn, M04 X 0.70 X 10, Blk, Flng 2-101, 2-105  
Screw, Btn, M06 X 1.00 X 20, Blk 3-15  
Screw, Cap 4-2, 4-3, 4-4, 4-5, 4-7, 4-51  
Screw, Flat, M10 X 1.5 X 30, Ss 2-45, 2-47  
Screw, Flt, M06 X 1.0 X 20, 10.9 2-89  
Screw, Flt, M10 X 1.5 X 30, 10.9 3-20  
Screw, Flt, M10 X 1.5 X 50 [Sq Neck] 2-45, 2-47  
Screw, Hex m4 2-29  
Screw, Hex, .25-14 X 0.50, Fmg, [Ab] 3-11

- Screw, Hex, .25-20 X 0.50, Ss 2-7, 2-9, 2-11, 2-13, 2-19
- Screw, Hex, .25-20 X 0.75, Ss 2-21
- Screw, Hex, .31-18 X 0.62, 5 2-85
- Screw, Hex, .38-16 X 1.00, Ss 2-57, 2-61
- Screw, Hex, .38-16 X 1.50, 5 2-51, 2-83, 3-23
- Screw, Hex, .50-13 X 1.50, 5 2-43
- Screw, Hex, .62-11 X 1.50, 5 2-51, 3-23
- Screw, Hex, 1.00-08 X 3.50, 5 2-53, 3-25
- Screw, Hex, M 5 X 0.8 X 16, Fmg 2-61
- Screw, Hex, M 6 X 1.0 X 12, Fmg 3-39, 3-40
- Screw, Hex, M 6 X 1.0 X 16, Ss 2-43
- Screw, Hex, M 6 X 1.0 X 20, 8.8 2-9
- Screw, Hex, M 6 X 1.0 X 20, Ss 2-9, 2-13, 2-63
- Screw, Hex, M 6 X 1.0 X 60, 8.8 2-59
- Screw, Hex, M 8 X 1.25 X 20, Ss 2-9, 2-13, 2-63
- Screw, Hex, M 8 X 1.25 X 25, 8.8 3-33
- Screw, Hex, M 8 X 1.25 X 25, Fmg 2-59
- Screw, Hex, M 8 X 1.25 X 25, Ss 2-17
- Screw, Hex, M 8 X 1.25 X 30, 10.9 2-29
- Screw, Hex, M 8 X 1.25 X 45, 8.8 2-9
- Screw, Hex, M04 X 0.7 X 20, 8.8 2-59
- Screw, Hex, M05 X 0.8 X 16, Fmg 3-41
- Screw, Hex, M05 X 0.8 X 16, Ss 2-73
- Screw, Hex, M06 X 1.0 X 12, 8.8 2-31
- Screw, Hex, M06 X 1.0 X 12, Fmg 2-39, 2-41, 2-53, 2-61, 3-7, 3-13, 3-25
- Screw, Hex, M06 X 1.0 X 16, 8.8 3-15
- Screw, Hex, M06 X 1.0 X 16, Fmg 2-59, 3-15
- Screw, Hex, M06 X 1.0 X 16, Ss 2-43
- Screw, Hex, M06 X 1.0 X 20, 8.8 2-7, 2-11, 2-13, 2-19, 2-33, 2-99, 2-101, 3-15, 3-35, 3-37
- Screw, Hex, M06 X 1.0 X 20, Ss 2-65, 3-3, 3-5
- Screw, Hex, M06 X 1.0 X 25, Ss, NI 2-57
- Screw, Hex, M06 X 1.0 X 25, Ss 2-49, 2-57, 3-41
- Screw, Hex, M06 X 1.0 X 30, 8.8 2-33, 3-44
- Screw, Hex, M08 X 1.25 X 16, 8.8 2-23, 2-25, 2-41
- Screw, Hex, M08 X 1.25 X 16, Ss 2-71
- Screw, Hex, M08 X 1.25 X 20, 8.8 2-19, 2-23, 2-25, 2-29, 2-43, 2-61, 2-65, 2-71, 2-87, 2-89, 2-91, 3-15
- Screw, Hex, M08 X 1.25 X 20, Ss 2-15, 2-49, 3-5
- Screw, Hex, M08 X 1.25 X 25, 8.8 2-7, 2-11, 2-21, 2-29, 2-33, 2-57, 2-59, 2-61, 2-81, 2-83, 2-85, 2-93, 2-97
- Screw, Hex, M08 X 1.25 X 25, Fmg 2-29, 2-75
- Screw, Hex, M08 X 1.25 X 25, Ss 2-5, 2-35, 2-57, 2-61, 2-73, 3-3, 3-7, 3-13, 3-15, 3-27
- Screw, Hex, M08 X 1.25 X 30, 8.8 2-33, 2-57, 2-65, 2-81, 2-101
- Screw, Hex, M08 X 1.25 X 30, Ss 2-35, 2-55, 3-7, 3-13, 3-39, 3-40
- Screw, Hex, M08 X 1.25 X 35, 8.8 2-33
- Screw, Hex, M08 X 1.25 X 35, Ss Fl 2-35
- Screw, Hex, M08 X 1.25 X 40, 8.8 2-27, 2-81
- Screw, Hex, M08 X 1.25 X 45, 8.8 2-7, 2-11, 2-13
- Screw, Hex, M08 X 1.25 X 50, 8.8 2-19, 2-27, 2-41
- Screw, Hex, M08 X 1.25 X 60, 8.8 2-65
- Screw, Hex, M08 X 1.25 X 70, 8.8 2-19, 2-61
- Screw, Hex, M08X1.25, Ss (Rh Side Brush Only) 3-5
- Screw, Hex, M10 X 1.25 X 25, 8.8 3-17
- Screw, Hex, M10 X 1.5 X 16, 8.8 2-19
- Screw, Hex, M10 X 1.5 X 20, 8.8 2-27, 2-29, 2-85, 2-89, 2-95, 3-3, 3-7, 3-13, 3-33
- Screw, Hex, M10 X 1.5 X 20, Ss 3-11, 3-43
- Screw, Hex, M10 X 1.5 X 25, 10.9 2-9
- Screw, Hex, M10 X 1.5 X 25, 8.8 2-19, 2-39, 2-43, 2-85, 2-97, 3-29, 3-31
- Screw, Hex, M10 X 1.5 X 25, Ss, NI 2-17, 2-71
- Screw, Hex, M10 X 1.5 X 25, Ss 2-45, 2-47, 2-49, 3-3, 3-5, 3-9, 3-11
- Screw, Hex, M10 X 1.5 X 30, 8.8 2-7, 2-9, 2-11, 2-13, 2-85, 2-87, 2-99
- Screw, Hex, M10 X 1.5 X 30, Ss 2-49, 2-51, 2-55, 3-5, 3-7, 3-9, 3-13, 3-23
- Screw, Hex, M10 X 1.5 X 35, 10.9 2-5
- Screw, Hex, M10 X 1.5 X 35, 8.8 2-5, 3-29, 3-31
- Screw, Hex, M10 X 1.5 X 35, Ss 2-47, 2-49, 2-53, 3-25
- Screw, Hex, M10 X 1.5 X 50, Ss 2-53, 2-97, 3-25
- Screw, Hex, M10 X 1.5 X 100, Ss, Fl 2-7, 2-11
- Screw, Hex, M10X1.5X35, Ss 2-45
- Screw, Hex, M12 X 1.75 X 25, 8.8 3-31
- Screw, Hex, M12 X 1.75 X 25, Ss 2-51, 2-71, 3-23
- Screw, Hex, M12 X 1.75 X 30, 8.8 3-29
- Screw, Hex, M12 X 1.75 X 35, 8.8 2-83
- Screw, Hex, M12 X 1.75 X 40, 10.9 2-29
- Screw, Hex, M12 X 1.75 X 40, 8.8 2-29, 2-61, 2-89
- Screw, Hex, M12 X 1.75 X 40, Ss 2-23, 2-25, 2-45, 2-47, 2-51, 3-23
- Screw, Hex, M12 X 1.75 X 45, 10.9 Pltd 2-5, 2-51, 2-75, 3-3, 3-23, 3-25
- Screw, Hex, M12 X 1.75 X 50, 8.8 2-27, 2-39
- Screw, Hex, M12 X 1.75 X 50, Ss 2-51, 3-23
- Screw, Hex, M14 X 2.0 X 35, 8.8 2-75
- Screw, Hex, M16 X 2.0 X 40, 8.8 2-29
- Screw, Hex, M20 X 2.5 X 60, 10.9 2-5
- Screw, Hex, M6 X 1.0 X 12, Ss, NI 2-53, 2-59, 2-91, 3-25
- Screw, Hex, M8 X 1.25 X 20, 8.8 2-25
- Screw, Hex, M8 X 1.25 X 25, 8.8 2-59
- Screw, Hex, M8 X 1.25 X 50, Ss 2-21
- Screw, Pan, #10-24 X 0.75, 1 2-21
- Screw, Pan, M 3 X 0.5 X 12, 4.8 2-9, 2-13
- Screw, Pan, M 6 X 1.0 X 12, Ss 2-101
- Screw, Pan, M04 X 0.7 X 16, Ss 3-41
- Screw, Pan, M04 X 0.7 X 20, 4.8 2-15
- Screw, Pan, M05 X 0.8 X 16, 4.8 2-99, 2-105
- Screw, Pan, M05 X 0.8 X 20, Ss 2-15, 3-35, 3-37
- Screw, Pan, M05 X 0.8 X 45, 4.8 2-43
- Screw, Pan, M06 X 1.0 X 12, Ss 2-11, 2-13
- Screw, Pan, M4 X 0.7 X 25, 4.8 2-59
- Screw, Set, M08 X 1.25 X 12, Soc 2-65
- Screw, Set, M10 X 1.5 X 20, Soc 2-39
- Screw, Set 4-51
- Screw, Soc, .25-20 X 1.50, Al 4-43
- Screw, Soc, .50-13 X 1.50, Al 2-27
- Screw, Soc, M10 X 1.5 X 50, 12.9 2-45, 2-47
- Screw 4-2
- Seal Kit, Cartridge 4-47, 4-49
- Seal Kit, Motor A/H-Stnd 4-2
- Seal Kit, Pump 4-3, 4-4, 4-5
- Seal Kit, Rear 4-7
- Seal Kit, Shaft 4-7
- Seal, Bulb, Str, 0.58d .06-.09grip 07.5l 3-7, 3-13
- Seal, Conveyor, Front 2-2, 2-33
- Seal, Conveyor, Side, Bottom 2-2, 2-33
- Seal, Conveyor, Side, Top 2-2, 2-33
- Seal, Conveyor, Top 2-2, 2-33
- Seal, Door, Chute 2-57
- Seal, Dust, Plug Drive, Brush 2-43
- Seal, Foam (Rh Side Brush Only) 3-5
- Seal, Hole 3-3, 3-5
- Seal, Hppr Door 2-57
- Seal, Hppr, Side 2-57
- Seal, Hppr, Top 2-57
- Seal, O-Ring, .072 X 00.35id 2-97
- Seal, O-Ring 2-27
- Seal, Org 4-51
- Seal, Rbr, Clsd Cell 2-57
- Seal, Shaft 2-27
- Seal, Side, Lower 2-2, 2-35
- Seal, Window 2-63
- Seal, Wndw, Frame 2-57
- Seal 2-65, 4-51
- Send-Unit, Fuel, Level 2-21
- Send-Unit, Oil, Press 2-101
- Sensor Assy, Level [5/9.9/.5] 2-19
- Sensor, Capacitive, 10mm Range [M/P] 2-63

## CROSS REFERENCE

- Sensor, Capacitive, 10mm Range 2-63  
Sensor, Rotation 2-43  
Serrated Pad - Pivot Handle 2-101  
Shaft S/A 4-7  
Shaft Wldt, Lift 2-39, 2-41  
Shaft Wldt 2-53, 3-7, 3-13, 3-25  
Shaft, Idler 4-51  
Shaft, Output 4-51  
Shield Wldt, Brush, Lh 2-47  
Shield Wldt, Brush, Rh 2-45  
Shim, .112/.115 4-51  
Shim, .117/.120 4-51  
Shim, .122/.125 4-51  
Shim, Conveyor 2-29  
Shoe Wldt, Drag, Lh 3-20  
Shoe Wldt, Drag, Rh 3-20  
Shoe, Drag, Lh 2-2, 2-47, 3-21  
Shoe, Drag, Rh 2-2, 2-45, 3-21  
Shroud Wldt, Dust, Lh 3-7  
Shroud Wldt, Dust, Rh 3-13  
Shroud Wldt, Lower, Rear 2-35  
Shroud, Cntrl, Console 2-101  
Shroud, Upper, Wrap 2-23, 2-25  
Skid Wldt, Conveyor 2-23, 2-25  
Skirt, Backup, Dust 3-7, 3-9, 3-13  
Skirt, Bmpr, Inside 3-13  
Skirt, Broom 2-45, 2-47  
Skirt, Brush 2-49  
Skirt, Conveyor, Lh 2-25  
Skirt, Conveyor, Rh 2-25  
Skirt, Conveyor 2-2, 2-35  
Skirt, Dust, Access Panel 3-3, 3-7  
Skirt, Dust, Access Panl (Rh Side Brush Only) 3-5  
Skirt, Dust, Front 3-9  
Skirt, Dust, Shrd 3-7, 3-13  
Skirt, Dust 3-7, 3-13  
Skirt, Flap 2-17  
Skirt, Recirculation 2-2, 2-49  
Skirt, Side 2-35  
Skirt, Sppt 2-2, 2-35  
Skirt, Wedge 2-2, 2-35  
Skirt 2-2, 2-35  
Sleeve, Brass 05com 2-37  
Sleeve, Nyl, #27 20.0l 2-93  
Sleeve, Nyl, #27 30.0l W/ Hole 2-97  
Sleeve, P/M, 0.496d 0.318b 0.31l 430ss 3-7, 3-13  
Sleeve, Roller 2-2, 2-29  
Slide Wldt, Sppt 2-23, 2-25  
Solenoid, 12vdc, Valve, Hyd 4-11, 4-15, 4-17, 4-19, 4-21, 4-23, 4-27, 4-31, 4-33, 4-35, 4-37, 4-39, 4-43, 4-49  
Solenoid, 12vdc 4-51  
Solenoid, Hyd, 12 Vdc, 12 Watt (W/ Left Side Brush Tilt) 4-47  
Solenoid, Hyd, 12 Vdc, 12 Watt 4-11, 4-15, 4-19, 4-23, 4-27, 4-31, 4-35, 4-39, 4-47, 4-49  
Solenoid, Hyd, 12 Vdc, 42 Watt 4-11, 4-15, 4-19, 4-23, 4-27, 4-31, 4-35, 4-39, 4-43, 4-49  
Spacer Plate 4-2  
Spacer, Lock 2-41  
Spacer, Mtg, Battery 2-99  
Spacer, Strap 2-27  
Spacer 2-27  
Spring, Cmpr, 0.42od .04wir 1.5l 2-59  
Spring, Extn, 1.00od X 0.09wir, 2.8l 2-41  
Spring, Extn, 1.00od X 0.11wir, 5.5l 3-11  
Spring, Extn, 1.25od X 0.15wir, 7.0l 2-53, 3-25  
Spring, Extn, 1.50od X 0.18wir, 7.5l 3-7, 3-13  
Spring, Extn, 0.500d X 0.07wir, 3.5l 2-43  
Spring, Lift, Brush 2-31  
Spring, Pump, Hyd, Gear 4-3, 4-4  
Spring, Valve, Hyd 4-13, 4-17, 4-21, 4-25, 4-29, 4-33, 4-37, 4-41, 4-45, 4-47, 4-49  
Spring 4-7, 4-51  
Stem, Valve, Hyd 3w2p 4-43  
Stem, Valve, Hyd, N.C. 4-17, 4-21, 4-33, 4-37, 4-43  
Stem, Valve, Hyd, N.c. 4-11, 4-15, 4-19, 4-23, 4-27, 4-31, 4-35, 4-39  
Stem, Valve, Hyd 4-43, 4-49  
Strainer, 40 Mesh 2-2, 2-73  
Strainer, Hyd, 25gpm 100mesh Psi 2-81  
Strainer, Hyd, 25gpm 100mesh Psi 2-2  
Strap, Mtg, Tank, Hyd 2-81  
Strap, Rbr 2-21, 2-81  
Strap, Retainer, Bearing Cup 2-27  
Strap, Retainer 2-33, 2-35  
Strap, Tank, Fuel 2-21  
Strip, Backing, Skirt 3-9  
Strip, Belt, Splice 2-27  
Strip, Rbr, 0.75 03.50w 37.1l 2-2  
Strip, Retainer, Lh 2-47, 2-49  
Strip, Retainer, Rh 2-45  
Strip, Retainer, Skirt, Lh 2-35  
Strip, Retainer, Skirt, Rh 2-35  
Strip, Retainer, Skirt 3-7, 3-13  
Strip, Retainer 2-35, 2-45, 2-47  
Strip, Shield, Drag 2-45, 2-47  
Strip, Skirt 2-35, 2-49  
Strip, Sppt 2-33  
Strip, Stl, 0.11th X 02.50w, 10.00l 3-41  
Strip, Wear 2-25  
Stud, Ball, .39d .31-16, Gasspring 2-19  
Support Wldt, Safety, Front 2-69  
Switch Assy, Push, [Latch, Illuminated] 2-102  
Switch, Fluid Level Sensor 3-19  
Switch, Hyd, Temp, [140f] 2-85  
Switch, Micro 2-29  
Switch, Rocker, 36vdc 05a Dpdt Mo/Of/Mo 3-29, 3-31  
Switch, Rocker, Dpdt 3-35, 3-37, 3-39, 3-40  
Switch, Rocker, Hole Plug 2-101, 3-39  
Switch, Thermostat 2-61  
Switch, Water, Level 2-71  
Switch 2-59, 2-61, 2-95, 2-101
- T**
- Tank Wldt, Sppt 2-5  
Tank, Fuel W/ Label 2-21  
Tank, Water 2-71  
Thrust Bearing 4-2  
Tie, Cable, 11.3l, 2.75d Max 2-71  
Tie, Cable, 20.0l, 6.00d Max 2-51, 2-53, 2-87, 2-97, 3-23, 3-25, 3-29, 3-31  
Tie, Cable, Nyl, 14.5l .30w 4.0 Max D 2-101, 3-35, 3-37  
Tilt Wldt, Stand 2-67  
Transmission, Drive, Pump, Lh (See Breakdown) 2-75  
Transmission, Drive, Pump, Rh (See Breakdown) 2-75  
Tube Assy, Vacfan 2-87  
Tube Wldt, Conveyor, Lower 2-2  
Tube Wldt, Conveyor, Upper 2-2  
Tube Wldt, Lift, Brush 2-39  
Tube Wldt, Lift, Shield 2-39  
Tube Wldt, Lift, Skirt, Cntr 3-11  
Tube Wldt, Sppt 3-15  
Tube Wldt, Spray 2-73, 3-27  
Tube Wldt, Torque 2-29, 2-31  
Tube, 0.75d 0.50b 0.844l 2-51, 3-23  
Tube, Brace 2-7, 2-9, 2-11, 2-13  
Tube, Hyd, Motor, Shaker 2-89  
Tube, Hyd, Radiator, Lower 2-85  
Tube, Hyd, Radiator, Top 2-85  
Tube, Hyd, Radiator, Upper 2-85  
Tube, Hyd, Return 2-83  
Tube, Hyd, Tank 2-81  
Tube, Hyd, Vacuum, Case, Bottom 2-89  
Tube, Hyd, Vacuum, Case, Top 2-89  
Tube, Hyd, Vacuum, Press, Bottom 2-89  
Tube, Hyd, Vacuum, Press, Top 2-89  
Tube, Hyd, Vacuum, Tank, Bottom 2-89  
Tube, Hyd, Vacuum, Tank, Top 2-89  
Tube, Lower, Hppr, Base 2-89  
Tube, Mach, Support, Rear 2-65  
Tube, Plstc, 0.31od 0.18id 149.5l 2-37  
Tube, Plstc, 0.31od 0.18id 31.6l 2-37  
Tube, Plstc, 0.31od 0.18id 80.3l 2-37  
Tube, Plstc, 0.31od 0.18id 97.6l 2-37  
Tube, Rnd 2-65  
Tube, Seal Install 2-27  
Tube, Spacer, Pltd 2-53, 3-25  
Turnbuckle, Lift 2-39
- V**
- Valve Assy, Manifold, 12vdc [2208-1] 3-27  
Valve Assy, Manifold, 12vdc [2209-1] 2-73, 3-27  
Valve Stem, N.C. 4-43  
Valve Stem, N.c. 4-11, 4-15, 4-19, 4-23, 4-27, 4-31, 4-35, 4-39  
Valve, Ball, 24pf W/Handle 3-43  
Valve, Ball, 3-way 3-43  
Valve, Ball, Pf24/Pf24, Pvc 2-71  
Valve, Check, Valve, Hyd 4-15, 4-19, 4-23, 4-31, 4-35, 4-39, 4-47

Valve, Check 4-9, 4-11, 4-15, 4-19, 4-23, 4-27, 4-31, 4-35, 4-39  
 Valve, Dir 4-8  
 Valve, Drive, Pump, Hyd, Gear 4-3, 4-4  
 Valve, Hyd Cntrl Sol 18s26g3000 (Replaced by 396723) 2-95  
 Valve, Hyd Cntrl Sol 7s40g3000 (See Breakdowns) 2-89  
 Valve, Hyd, Brake, 30gpm 0500psi 4-8  
 Valve, Hyd, Brake 2-61  
 Valve, Hyd, Check, Pilot 2-91, 4-11, 4-15, 4-19, 4-23, 4-27, 4-31, 4-35, 4-39, 4-43, 4-45, 4-49  
 Valve, Hyd, Cntrl, Press [Comp] 4-13, 4-17, 4-21, 4-25, 4-29, 4-33, 4-37, 4-41  
 Valve, Hyd, Cntrl, Press 300 Psi 4-11, 4-15, 4-19, 4-23  
 Valve, Hyd, Flow Cntrl [Pwm] 4-11, 4-15, 4-19, 4-23, 4-27, 4-31, 4-35, 4-39, 4-43  
 Valve, Hyd, Relief, 30gpm 2700psi 4-43  
 Valve, Hyd, Sol (W/ Dual Side Brush & Power Tilt) □(See Breakdown) 2-95  
 Valve, Hyd, Sol (W/ Dual Side Brush & Side Skirts) □(See Breakdown) 2-95  
 Valve, Hyd, Sol (W/ Dual Side Brush, Power Tilt, & Side Skirts) (See Breakdown) 2-95  
 Valve, Hyd, Sol (W/ Dual Side Brush) □(See Breakdown) 2-95  
 Valve, Hyd, Sol (W/ Right Side Brush & Power Tilt) □(See Breakdown) 2-95  
 Valve, Hyd, Sol (W/ Right Side Brush & Side Skirts) □(See Breakdown) 2-95  
 Valve, Hyd, Sol (W/ Right Side Brush, Power Tilt, & Side Skirts) (See Breakdown) 2-95  
 Valve, Hyd, Sol (W/ Right Side Brush) □(See Breakdown) 2-95  
 Valve, Hyd, Sol, 12vdc [07s30g3000] 4-49  
 Valve, Hyd, Sol, 12vdc [11s20g3000] 4-43, 4-45  
 Valve, Hyd, Sol, 12vdc [4s01g3000] 4-47  
 Valve, Hyd, Sol, 12vdc Dir [3p4w] (W/ High Dump) 4-43  
 Valve, Hyd, Sol, 12vdc Dir [3p4w] 4-11, 4-15, 4-19, 4-23, 4-27, 4-31, 4-35, 4-39, 4-49  
 Valve, Hyd, Sol, 12vdc (See Breakdown) 3-33  
 Valve, Hyd, Sol, 12vdc 03gpm 0500psi □(W/ Left Side Brush Tilt) 4-47  
 Valve, Hyd, Sol, 12vdc 03gpm 0500psi 4-47  
 Valve, Hyd, Solenoid [11s20g3000] (See Breakdowns) 2-97  
 Valve, Hyd, Cntrl, Sol 4-11, 4-13, 4-15, 4-17, 4-19, 4-21, 4-23, 4-25, 4-27, 4-29, 4-31, 4-33, 4-35, 4-37, 4-39, 4-41

Valve, Pump, Hyd, Gear [Char Lynn] 4-3, 4-4  
 Valve, Relief 4-8  
 Valve, Shuttle 4-47  
 Valve, Stem 4-11, 4-15, 4-19, 4-23, 4-27, 4-31, 4-35, 4-39  
 Valve, Water, 12vdc, 10gpm 2-73  
 Valve 4-7  
 Video, Oprtr [Centurion] 3-46

**W**

Washer, .31 Belleville 2-19  
 Washer, .41b 2.125d .183t 2-27  
 Washer, 0.33b .75d .18, Stl, PI 2-57  
 Washer, 0.34b 0.69d .06, Nyl 2-55  
 Washer, 0.34b 1.50d .12, Stl, PI 2-41  
 Washer, 0.41b 1.38d .12, Stl 2-7, 2-9, 2-11, 2-13, 2-49, 2-71  
 Washer, 0.44b 2.00d .12, Stl, PI 2-53, 3-25  
 Washer, 0.50b 1.75d .12, Nyl 3-23  
 Washer, 0.50b 1.75d .12, Nyl 2-51  
 Washer, 0.53b 1.12d .11, Stl, PI 3-11  
 Washer, 0.53b 1.88d .12, Stl, PI 2-51, 3-23  
 Washer, 0.75b 1.25d .12, Stl, PI 2-5  
 Washer, 0.83b 2.00d .12, Stl 2-29  
 Washer, 1.39b 2.12d .13, Stl 2-43  
 Washer, Belleville, .31 2-19, 2-29  
 Washer, Belleville, .50 2-29, 2-51, 3-23  
 Washer, Flat, .25 Fender 2-31, 2-49  
 Washer, Flat, .25 Sae 2-29, 2-99, 2-105, 3-15  
 Washer, Flat, .25 Ss 3-3, 3-5, 3-35, 3-37  
 Washer, Flat, .25 Std 2-101, 3-15, 3-35, 3-37, 3-41, 3-44  
 Washer, Flat, .31 Fender 2-33  
 Washer, Flat, .31 Ss 2-55, 3-3, 3-5, 3-7, 3-13, 3-27, 3-39, 3-40  
 Washer, Flat, .31 Std 2-41, 2-101, 3-15  
 Washer, Flat, .38 Sae 2-45, 2-47  
 Washer, Flat, .38 Ss 2-55, 3-3, 3-5, 3-7, 3-9, 3-11, 3-13, 3-23, 3-25  
 Washer, Flat, .38 Std 2-99, 3-3, 3-7, 3-13, 3-17, 3-20, 3-21  
 Washer, Flat, .50 Sae 3-23  
 Washer, Flat, .50 Std 3-3, 3-25  
 Washer, Flat, .62 Sae 3-23  
 Washer, Flat, .75 Hard 2-5, 2-31  
 Washer, Flat, .75 Sae 2-41  
 Washer, Flat, #06 2-9, 2-13, 2-59  
 Washer, Flat, #10 2-99, 2-105  
 Washer, Flat, 0.25 Sae 2-19  
 Washer, Flat, 0.25 Ss 2-9, 2-43, 2-49, 2-63  
 Washer, Flat, 0.25 Std 2-9  
 Washer, Flat, 0.31 Sae 3-17  
 Washer, Flat, 0.31 Ss 2-9, 2-13, 2-17, 2-63  
 Washer, Flat, 0.31 Std 2-9, 2-25, 2-59, 3-33, 3-43  
 Washer, Flat, 0.38 Ss 2-17, 2-49

Washer, Flat, 0.38 Std, Unpl 3-43  
 Washer, Flat, 0.38 Std 2-9, 3-29, 3-31, 3-33  
 Washer, Flat, 0.50 Sae 2-19  
 Washer, Flat, 0.50 Ss 2-43, 2-45, 2-47  
 Washer, Flat, 0.50 Std 3-29, 3-31  
 Washer, Flat, 0.75 Sae 2-29  
 Washer, Flat, 1.00 Sae Hard 2-51, 3-23  
 Washer, Flat, M10, 10.5x21x2ss 3-11  
 Washer, Flat, M12, 13x24x2.5ss 2-31  
 Washer, Flat, M16, 17.0x30x3ss 2-31  
 Washer, Flt, .25 Ss 2-7, 2-11, 2-13, 2-19, 2-21, 2-43, 2-57  
 Washer, Flt, .25 Std 2-7, 2-11, 2-13, 2-19, 2-27, 2-33, 2-57, 2-65  
 Washer, Flt, .31 Sae 2-29, 2-57  
 Washer, Flt, .31 Ss 2-5, 2-15, 2-35, 2-49, 2-71, 2-73  
 Washer, Flt, .31 Std 2-5, 2-7, 2-11, 2-13, 2-21, 2-23, 2-25, 2-27, 2-29, 2-33, 2-35, 2-57, 2-59, 2-61, 2-65, 2-71, 2-75, 2-81, 2-83, 2-85, 2-87, 2-89, 2-91, 2-93, 2-97  
 Washer, Flt, .38 Sae 2-23, 2-83  
 Washer, Flt, .38 Ss 2-45, 2-47, 2-49, 2-51, 2-53  
 Washer, Flt, .38 Std 2-5, 2-19, 2-27, 2-39, 2-43, 2-85, 2-87, 2-89, 2-95, 2-97  
 Washer, Flt, .50 Sae 2-27, 2-29, 2-39, 2-51, 2-75, 2-89  
 Washer, Flt, .50 Ss 2-23, 2-25, 2-71  
 Washer, Flt, .50 Std 2-5, 2-53, 2-75, 2-83  
 Washer, Flt, .62 Sae 2-51, 2-61  
 Washer, Flt, #06 2-15, 2-29, 2-59, 2-61  
 Washer, Flt, #08 2-65  
 Washer, Flt, #10 Ss 2-15, 2-73  
 Washer, Flt, #10 2-43, 2-102, 3-35, 3-37  
 Washer, Lock, Int, .38 2-97  
 Washer, Retainer 2-29  
 Washer, Spacer 2-27  
 Washer, Spherical 3-31  
 Washer, Thrust 2-45, 2-47, 4-51  
 Wrench, Hydrant 3-18

**Y**

Yoke 2-31





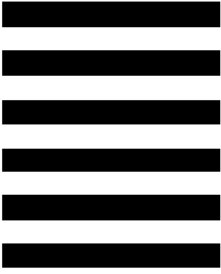




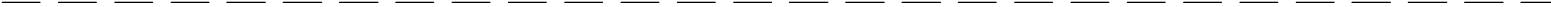
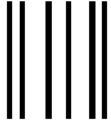
**TENNANT COMPANY**  
 Technical Publications #15  
 701 North Lilac Drive  
 P.O. Box 1452  
 Minneapolis, MN 55440-9947

POSTAGE WILL BE PAID BY ADDRESSEE

**BUSINESS REPLY MAIL**  
 FIRST CLASS MAIL PERMIT NO. 94 MINNEAPOLIS, MN



NO POSTAGE  
 NECESSARY  
 IF MAILED  
 IN THE  
 UNITED STATES



Fold along dotted lines

Tape here



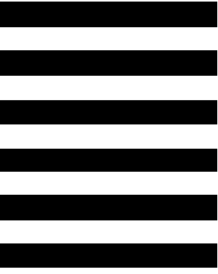




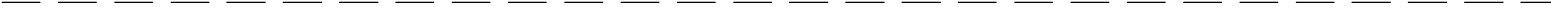
**TENNANT COMPANY**  
 Technical Publications #15  
 701 North Lilac Drive  
 P.O. Box 1452  
 Minneapolis, MN 55440-9947

POSTAGE WILL BE PAID BY ADDRESSEE

**BUSINESS REPLY MAIL**  
 FIRST CLASS MAIL PERMIT NO. 94 MINNEAPOLIS, MN



NO POSTAGE  
 NECESSARY  
 IF MAILED  
 IN THE  
 UNITED STATES



Fold along dotted lines

Tape here

